



Texas Fluorescents
Reinvented

CATALOG#: _____
PROJECT: _____
TYPE: _____

Series VED40CR

4" Round LED Downlight New Construction

These New Construction downlights are engineered for performance and efficiency in value. Designed to provide features and options to meet the requirements of downlighting in most projects. The open spun reflector provides medium distribution and distinct cutoff. Standard 0-10v 10% driver. Options available.

CONSTRUCTION

Galvanized steel frame with integrated junction box. Adjustable mounting ears and junction box. Mounting ears accept standard hanger bars 14" - 24" (included) and designed to accept C Channel or Flat bar stock mounting.

OPTICS

Precision spun reflector. Reflectors available in Alzak® and painted finishes. Distribution is free of streaks, striations and hotspots. 85° beam distribution or 45° Cutoff(default).

TYPICAL OPTIONS & ACCESSORIES

90CRI, Triac dimming driver, etc. Emergency battery backup options available. Contact factory for more details.



DIMENSIONS

See page 4 for details

FEATURES & BENEFITS

- 750 - 2000 lumens
- 2700K - 5000K CCT
- 80 CRI with 3 SDCM color consistency (+90 CRI optional)
- Standard 0-10V 10% dimming driver; optional drivers available
- 120V - 277V Input Volts
- Minimum 50,000 hour lifetime at L70
- -20°C to 30°C Ambient Operating Temperature Range
- ETL certified to UL 1598 and UL8750 requirements
- Tested according to LM-79 and LM-80 standards
- Suitable for damp locations; Wet location under covered ceiling
- Buy American Act (BAA)
- 5-year limited warranty on LED module and driver (Insulation cannot be in direct contact with luminaire)



ORDERING GUIDE

SERIES	VOLTAGE	LUMENS		KELVIN (CCT)		REFLECTOR	REFLECTOR FINISH ¹	
VED4OCR	U 120-277V 0-10V Dimming Dim to 1%	07	750	27K	2700K	V4060 ¹ 85° Beam Distribution Open Reflector	WHT White Matte	
		11	1100		80 CRI		V4019 ² Non-Conductive Shower Trim	SGC Soft Glow Clear
		15	1500	30K	3000K	80 CRI		
		20	2000		80 CRI			
				35K	3500K	80 CRI		
				40K	4000K	80 CRI		
				50K	5000K	80 CRI		

OPTIONS

TDM	Triac (Forward Phase, 120V only) dimming driver
HCR	High CRI, 90+ minimum. Not available in 5000 Kelvin
PF	Polished Flange
REM	Emergency battery back-up. Remote test button & indicator light
ZDM	0-10V 1% dimming driver (Universal Voltage)
SDM	0-10V 10% dimming driver (Universal Voltage)

Note:
 1. All trims supplied standard with white painted flange. See illustration 1.2
 2. See illustration 1.1

We reserve the right to change design, materials, LED's and finish in any way that will not alter installed appearance or reduce function and performance.

ILLUSTRATION 1.1

Non-Conductive Shower Trim - V4019



ILLUSTRATION 1.2

Reflector Finishes



WHT
White Matte



SGC
Soft Glow Clear

PERFORMANCE

Lumens

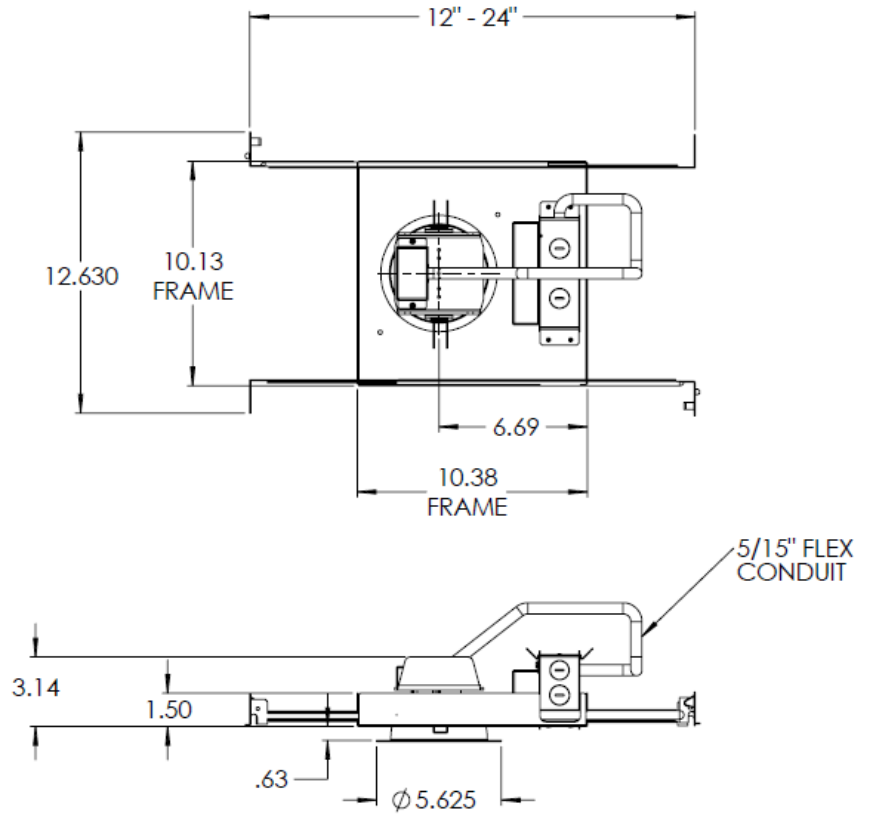
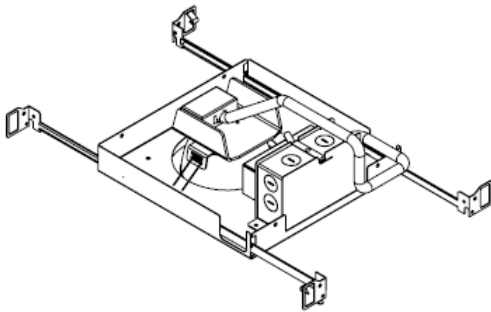
Nominal Lumens	Delivered Lumens	Wattage	Lumens Per Watt
750	1119	9.10	122.96
1100	1329	11.00	120.82
1500	1738	15.60	111.41
2000	2132	19.10	111.60

All measured at 3500K with a standard medium distribution
 *Actual Wattage/Lumens may vary.

We reserve the right to change design, materials, LED's and finish in any way that will not alter installed appearance or reduce function and performance.

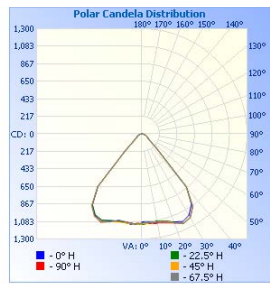
DRAWINGS & IMAGES

New Construction



CEILING CUTOUT
5.25" DIA

PHOTOMETRICS



Illuminance at a Distance			
	Center Beam fc	Beam Width	
1.7ft	383 fc	2.4 ft	3.1 ft
3.3ft	102 fc	4.6 ft	6.0 ft
5.0ft	44.2 fc	7.0 ft	9.0 ft
6.7ft	24.6 fc	9.4 ft	12.1 ft
8.3ft	16.1 fc	11.6 ft	15.0 ft
10.0ft	11.1 fc	14.0 ft	18.0 ft

■ Vert. Spread: 70.1°
■ Horiz. Spread: 84.1°

Zonal Lumen Summary			Lumens Per Zone					
Zone	Lumens	% Luminaire	Zone	Lumens	% Total	Zone	Lumens	% Total
0-30	969.7	45.5%	0-10	105.6	5.0%	90-100	5.9	0.3%
0-40	1,619.0	75.9%	10-20	319.0	15.0%	100-110	5.6	0.3%
0-60	1,992.3	93.4%	20-30	545.2	25.6%	110-120	5.3	0.2%
60-90	102.3	4.8%	30-40	649.3	30.5%	120-130	5.1	0.2%
70-100	50.4	2.4%	40-50	288.0	13.5%	130-140	5.0	0.2%
90-120	16.8	0.8%	50-60	85.3	4.0%	140-150	4.4	0.2%
0-90	2,094.6	98.2%	60-70	57.8	2.7%	150-160	3.4	0.2%
90-180	37.5	1.8%	70-80	32.8	1.5%	160-170	2.0	0.1%
0-180	2,132.2	100%	80-90	11.7	0.5%	170-180	0.7	0%

MULTIPLIER

CRI	Multiplier	Kelvin	Multiplier	Reflector Finish	Multiplier
80	1	2700K	0.939	SCL	1
90	0.81	3000K	0.975	SGC	0.95
		3500K	1	WHT	0.87
		4000K	1.035		
		5000K	1.098		

We reserve the right to change design, materials, LED's and finish in any way that will not alter installed appearance or reduce function and performance.