



Texas Fluorescents  
Reinvented

CATALOG#: \_\_\_\_\_  
PROJECT: \_\_\_\_\_  
TYPE: \_\_\_\_\_

# Series L23RR/RPF

## LED Recessed Flange Mount Linear Fixture

A linear 2 x 3 fixture for distinctive architectural lighting plans. Ideal for corridors, lobbies, and office areas, 2 x 3 Series fixtures can be installed individually or in a continuous run. Specially designed for direct lighting with snap in lens to hide the lamps or LED arrays.

### CONSTRUCTION

Die-formed and welded 22-gauge cold rolled steel. Knockouts on ends allow continuous wire-way mounting. Housing is specially designed for direct lighting.

### DIFFUSERS

Special LED formulated frosted lenses with snap-in feature for easy access.

### TYPICAL OPTIONS & ACCESSORIES

Whips, occupancy sensors, etc. Contact factory for more details.



### DIMENSIONS

- 2ft.-24"L x 2"W x 3"H
- 4ft.-48"L x 2"W x 3"H
- 6ft.-72"L x 2"W x 3"H
- 8ft.-96"L x 2"W x 3"H

### FEATURES & BENEFITS

- Attractive source of direct lighting for use in offices, hallways, conference rooms and medical facilities
- Available in custom finish. Consult factory for details
- Suitable for dry or damp location
- CRI >80 standard
- L70: >50,000 Hours
- Dimming: 0-10V 120-277V standard, 120V ELV/TRIAC optional
- Power factor >0.99
- 5 year warranty



**ORDER INFORMATION**

Factory at your fingertips. Fill in the blanks to create your part number or create a custom configuration.

SERIES	LENS MATERIAL	LENGTH <sup>2</sup>	GEAR	WATTAGE & LUMENS <sup>1</sup>	DRIVER
<b>L23RR</b> LED Recessed Flange Mount Linear Fixture  <b>L23RPF</b> Perforated Flange for Existing Drywall Installation + Mud Over Flangeless Finish	<b>SF</b> Snap-in frosted acrylic lens (85% transmission) Special for LEDs; only available for upright and downlight	<b>24L</b> 24"	<b>T</b>	<b>8W</b> 8 Watts, 900 Lumens <b>12W</b> 12 Watts, 1300 Lumens <b>18W</b> 18 Watts, 2000 Lumens <b>23W</b> 23 Watts, 2500 Lumens	<b>DMV</b> 120-277VAC 0-10V Dimming  <b>G120</b> ELV/TRIAC Dimming at 120V only
		<b>48L</b> 48"		<b>16W</b> 16 Watts, 1800 Lumens <b>24W</b> 24 Watts, 2600 Lumens <b>36W</b> 36 Watts, 4000 Lumens <b>45W</b> 45 Watts, 5000 Lumens	<b>D1MV</b> 120-277VAC 0-10V Dimming (dim to 1%)  <b>SRMV</b> 120-277VAC Phillips Sensor-Ready
<b>72L</b> 72"		<b>24W</b> 24 Watts, 2600 Lumens <b>36W</b> 36 Watts, 4000 Lumens <b>54W</b> 54 Watts, 5900 Lumens <b>68W</b> 68 Watts, 7500 Lumens		<b>DALMV</b> 120-277VAC DALI Dimming	
<b>96L</b> 96"		<b>32W</b> 32 Watts, 3500 Lumens <b>48W</b> 48 Watts, 5300 Lumens <b>72W</b> 72 Watts, 7900 Lumens <b>90W</b> 90 Watts, 10000 Lumens			

FINISH <sup>3</sup>		CCT/CRI <sup>4</sup>		CONFIGURATION		EMERGENCY <sup>5</sup>		SENSOR	
<b>WH</b>	White	<b>30K</b>	3000K 80 CRI	<b>Blank</b>	Individual	<b>EM14</b>	14W Emergency battery backup (Remote Only)	<b>Blank</b>	No Sensor
<b>BK</b>	Black	<b>35K</b>	3500K 80 CRI	<b>-B</b>	Beginner Run			<b>SS</b>	On/Off Sensor
<b>SL</b>	Silver	<b>40K</b>	4000K 80 CRI	<b>-E</b>	Ender Run			<b>SV</b>	Bi-Level Sensor
<b>**</b>	Custom Color	<b>40K</b>	4000K 80 CRI	<b>-J</b>	Joiner			<b>SD</b>	Daylight Harvesting Sensor
		<b>50K</b>	5000K 80 CRI					<b>SM</b>	Microwave Sensor
		<b>930K</b>	3000K 90 CRI						
		<b>935K</b>	3500K 90 CRI						
		<b>940K</b>	4000K 90 CRI						

Note:

1. Programmable LED drivers allow custom configured wattages and corresponding lumens.
2. Consult factory for custom lengths.
3. \*\*RAL custom finishes available. Consult factory for more information or pricing requests.
4. Consult factory for 90 CRI 5000K availability.
5. Remote EM only for recessed/grid mount fixtures.

Values shown are typical or recorded under standardized conditions at 25°C. Actual performance may vary based environment or application. Specifications are subject to change without notice. We reserve the right to change design, materials, LED's and finish in any way that will not alter installed appearance or reduce function and performance.

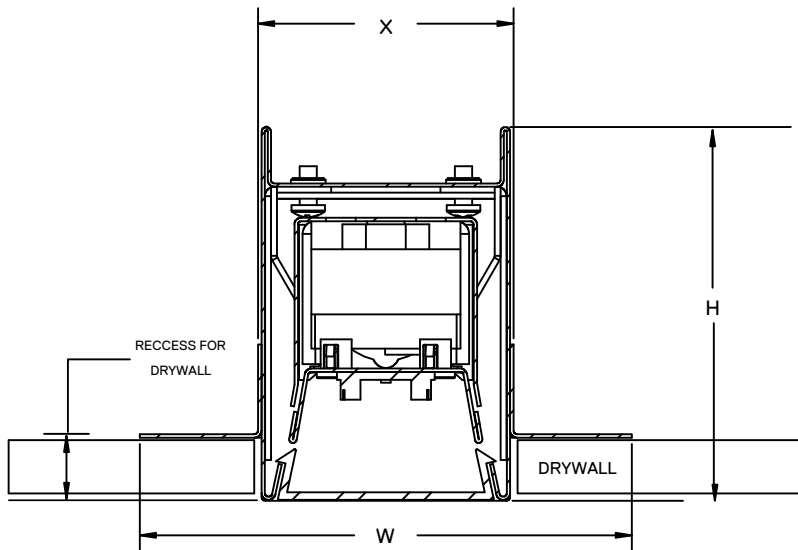
**DRAWINGS & IMAGES**

**RECESSED MOUNT (RR)  
DRAWINGS & DIMENSIONS**

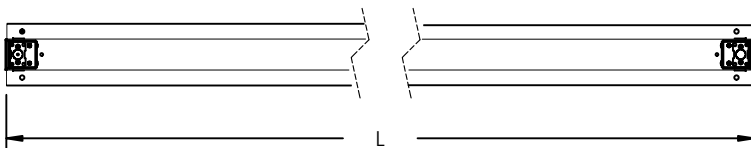
PART	L	W	H	X
L23RR12L	12.00"	3.96"	3.00"	2.00"
L23RR24L	24.00"	3.96"	3.00"	2.00"
L23RR36L	36.00"	3.96"	3.00"	2.00"
L23RR48L	48.00"	3.96"	3.00"	2.00"
L23RR60L	60.00"	3.96"	3.00"	2.00"
L23RR72L	72.00"	3.96"	3.00"	2.00"
L23RR84L	84.00"	3.96"	3.00"	2.00"
L23RR96L	96.00"	3.96"	3.00"	2.00"



**End View**



**Back View**



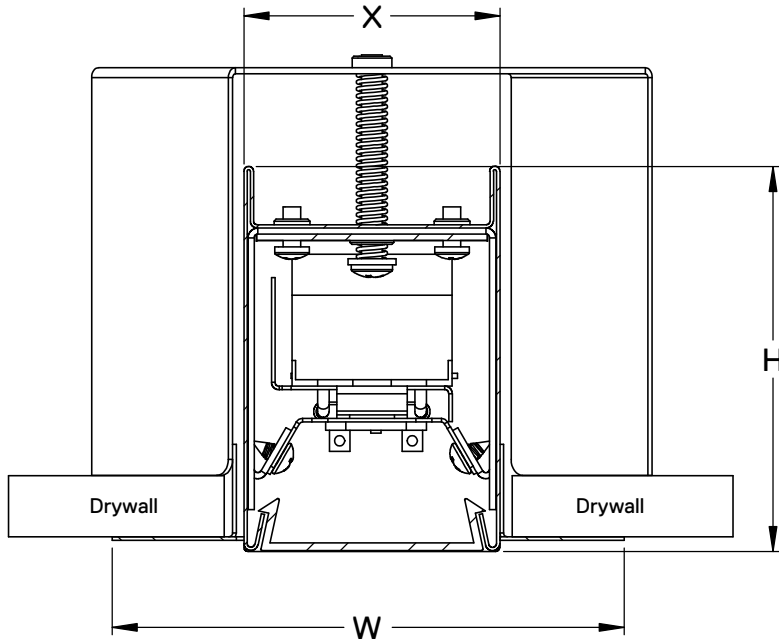
**DRAWINGS & IMAGES**

**RECESSED MOUNT (RPF)  
DRAWINGS & DIMENSIONS**

PART	L	W	H	X
L23RPF12L	12.00"	4.00"	3.00"	2.00"
L23RPF24L	24.00"	4.00"	3.00"	2.00"
L23RPF36L	36.00"	4.00"	3.00"	2.00"
L23RPF48L	48.00"	4.00"	3.00"	2.00"
L23RPF60L	60.00"	4.00"	3.00"	2.00"
L23RPF72L	72.00"	4.00"	3.00"	2.00"
L23RPF84L	84.00"	4.00"	3.00"	2.00"
L23RPF96L	96.00"	4.00"	3.00"	2.00"



**End View**



**Back View**

