



Texas Fluorescents
Reinvented

CATALOG#: _____
PROJECT: _____
TYPE: _____

Series 45

LED Pendant/Wall Mount Linear Fixture

A linear 4 x 5 fixture for distinctive architectural lighting plans. Ideal for corridors, lobbies, and office areas, 4 x 5 Series fixtures can be installed individually or in a continuous run. Specially designed for direct/indirect lighting with snap in lens to hide the lamps or LED arrays. Ideal where downlight and uplight are required.

CONSTRUCTION

Die-formed and welded 22-gauge cold rolled steel. Knockouts on ends allow continuous wireway mounting. Housing is specially designed for direct/indirect lighting with separating lamps compartments for each.

DIFFUSERS

Fixture accepts various lenses or louvers. 4' and 8' units have a steel mullion to join two individual diffusers. Snap-in reflector is ideal for uplight lens.

TYPICAL OPTIONS & ACCESSORIES

Cord sets, whips, occupancy sensors, hanging kits, wire guards. Contact factory for more details.



DIMENSIONS

8ft. -4"W x 96"L x 5.5"H
4ft. -4"W x 48"L x 5.5"H

FEATURES & BENEFITS

- Can be surface mounted to the ceiling or pendant hung by stem or cable.
- Consult factory for custom length or custom finish
- Can be used individually or in continuous row
- Light is continuous bringing a clean line
- Suitable for commercial or residential areas
- Suitable for dry and damp locations
- 50,000 hrs of L70 LED life
- CRI >80
- 0-10 Volt dimmable 120-277V
- Power factor 0.99
- 5 year warranty



ORDER INFORMATION

SERIES	MOUNTING	DIFFUSER	LENGTH	UP WATTAGE ¹	DOWN WATTAGE ¹
45	P Pendant W Wall Mount	MW Matte white lens (Only available for downlight)	48L 48"	KU12W 12 Watts 1200 Lumens	D24W 24 Watts 2400 Lumens
				KU18W 18 Watts 1800 Lumens	D36W 36 Watts 3600 Lumens
				KU24W 24 Watts 2400 Lumens	D48W 48 Watts 4800 Lumens
		SF Snap-in frosted acrylic lens (85% transmission) Special for LEDs; only available for uplight and downlight	72L 72"	KU18W 18 Watts 1800 Lumens	D36W 36 Watts 3600 Lumens
				KU27W 27 Watts 2700 Lumens	D54W 54 Watts 5400 Lumens
				KU24W 24 Watts 2400 Lumens	D48W 48 Watts 4800 Lumens
		96L 96"	KU36W 36 Watts 3600 Lumens	D72W 72 Watts 7200 Lumens	

DRIVER	UP/DOWN CONTROL	FINISH ²	CRI/CCT ³	CONFIGURATION
DMV 120-277VAC 0-10V Dimming	Blank Paired Up/Down Dimming+control	WH White BK Black	30K 3000K 80CRI 35K 3500K 80CRI	Blank Individual -B Beginner Run
G120 ELV/TRIAC Dimming at 120V only	11 Separate Up/Down Dimming+control	SI Silver	40K 4000K 80CRI 50K 5000K 80CRI	-E Ender Run -J Joiner
D1MV 120-277VAC 0-10V Dimming (dim to 1%)		930K 3000K 90CRI 935K 3500K 90CRI		
DMV(xx) ⁴ 0-10V Dimming		940K 4000K 90CRI		
SRMV 120-277VAC Phillips Sensor-Ready				
DALMV 120-277VAC DALI Dimming				

Note:

¹Programmable LED drivers allow custom configured wattages and corresponding lumens

²Consult factory for custom finish

³Consult factory for 5000K 90CRI

⁴(xx) for percentage of light output when not occupied.(required for SV sensor).

We reserve the right to change design, materials, LED's and finish in any way that will not alter installed appearance or reduce function and performance.

ORDER INFORMATION

HANGING KIT		SENSOR	
HC301WH	Cable kit with 4' cable & 3 wires power feed/cable incl. and white canopy	SS	On/Off Sensor
HC302WH	Cable kit with 12' cable & 3 wires power feed/cable incl. and white canopy	SV ⁴	Bi-Level Sensor (xx)
HC3015WWH	Cable kit with 4' cable & 5 wires power feed/cable incl. and white canopy	SD	Daylight Harvesting Sensor
HC3025WWH	Cable kit with 12' cable & 5 wires power feed/cable incl. and white canopy	SM	Microwave Sensor
HC3016WH	Cable kit with 4' cable & 6 wires power feed/cable incl and white canopy		
HC3026WH	Cable kit with 12' cable & 6 wires power feed/cable incl and white canopy		
2SCS24WH	Two stem kits with 24" stem, canopy and mounting hardware for a 4' fixture		
PI1	3 wires harness, including white, black and green		
PI2	4 wires harness, including white, black, green and blue for emergency battery backup		
PI3D	5 wires harness, including white, black, green, violet and gray		
PI4D	6 wires harness, including white, black, green, violet and gray and blue for emergency battery backup		

CONFIGURATIONS



Uplight & Downlight



Continuous Run End



Wall/Pendant Mount

Note:

¹Programmable LED drivers allow custom configured wattages and corresponding lumens.

²Consult factory for custom finish.

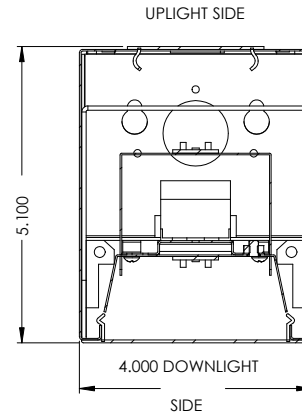
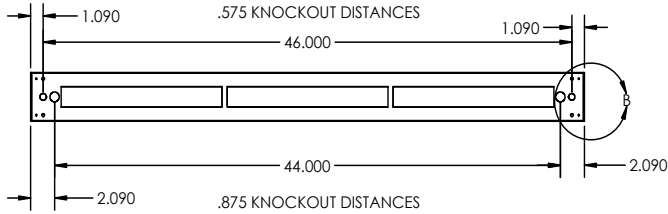
³Consult factory for 5000K 90CRI.

⁴(xx) for percentage of light output when not occupied.(required for SV sensor).

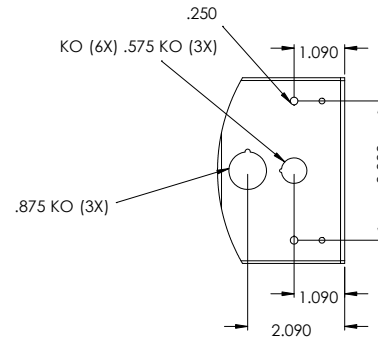
We reserve the right to change design, materials, LED's and finish in any way that will not alter installed appearance or reduce function and performance.

DRAWINGS & IMAGES

4 ft. - Back



6 ft. - Back



DETAIL B

8 ft. - Back

