



Texas Fluorescents
Reinvented

CATALOG#: _____
PROJECT: _____
TYPE: _____

Series VED6OCR

6" Round LED Downlight New Construction

These New Construction downlights are engineered for performance and efficiency in value. Designed to provide features and options to meet the requirements of downlighting in most projects. The open spun reflector provides medium distribution and distinct cutoff. Standard 0-10v 10% driver. Options available.

CONSTRUCTION

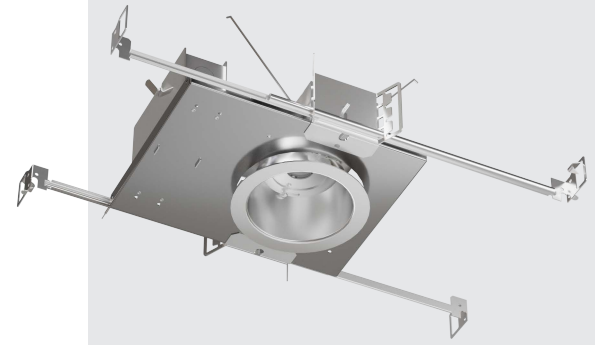
Galvanized steel frame with integrated junction box. Adjustable mounting ears and junction box. Mounting ears accept standard hanger bars 14" - 24" (included) and designed to accept C Channel or Flat bar stock mounting.

OPTICS

Precision spun reflector. Reflectors available in Alzak® and painted finishes. Distribution is free of streaks, striations and hotspots. Medium distribution or 45° Cutoff.

TYPICAL OPTIONS & ACCESSORIES

90CRI, Triac dimming driver, etc. Emergency battery backup options available. Contact factory for more details.



DIMENSIONS

See page 4 for details

FEATURES & BENEFITS

- 750 - 2000 lumens
- 2700K - 5000K CCT
- 80 CRI with 3 SDCM color consistency (+90 CRI optional)
- Standard 0-10V 10% dimming driver; optional drivers available
- 120V - 277V Input Volts
- Minimum 50,000 hour lifetime at L70
- -20°C to 30°C Ambient Operating Temperature Range
- ETL certified to UL 1598 and UL8750 requirements
- Tested according to LM-79 and LM-80 standards
- Suitable for damp locations; Wet location under covered ceiling
- Buy American Act (BAA)
- 5-year limited warranty on LED module and driver (Insulation cannot be in direct contact with luminaire)



ORDERING GUIDE

SERIES	VOLTAGE	LUMENS		KELVIN (CCT)		REFLECTOR	REFLECTOR FINISH ¹			
VED6OCR	U 120-277V 0-10V Dimming Dim to 1%	07	750	27K	2700K	V6060 ¹	Medium 60° Open Reflector	SCL	Specular Clear	
		11	1100		80 CRI	V6019 ²	Non-Conductive Shower Trim	SGC	Soft Glow Clear	
		15	1500	30K	3000K					80 CRI
		20	2000		80 CRI					
				35K	3500K					80 CRI
				40K	4000K					80 CRI
					80 CRI					
				50K	5000K					80 CRI
					80 CRI					

OPTIONS

- TDM** Triac (Forward Phase, 120V only) dimming driver
- HCR** High CRI, 90+ minimum. Not available in 5000 Kelvin
- PF** Polished Flange
- REM** Emergency battery back-up. Remote test button & indicator light
- ZDM** 0-10V 1% dimming driver (Universal Voltage)
- SDM** 0-10V 10% dimming driver (Universal Voltage)

Note:
 1. All trims supplied standard with white painted flange. See illustration 1.2
 2. See illustration 1.1

We reserve the right to change design, materials, LED's and finish in any way that will not alter installed appearance or reduce function and performance.

ILLUSTRATION 1.1

Non-Conductive Shower Trim - V6019



ILLUSTRATION 1.2

Reflector Finishes



WHT
White Matte



SGC
Soft Glow Clear



SCL
Specular Clear

PERFORMANCE

Lumens

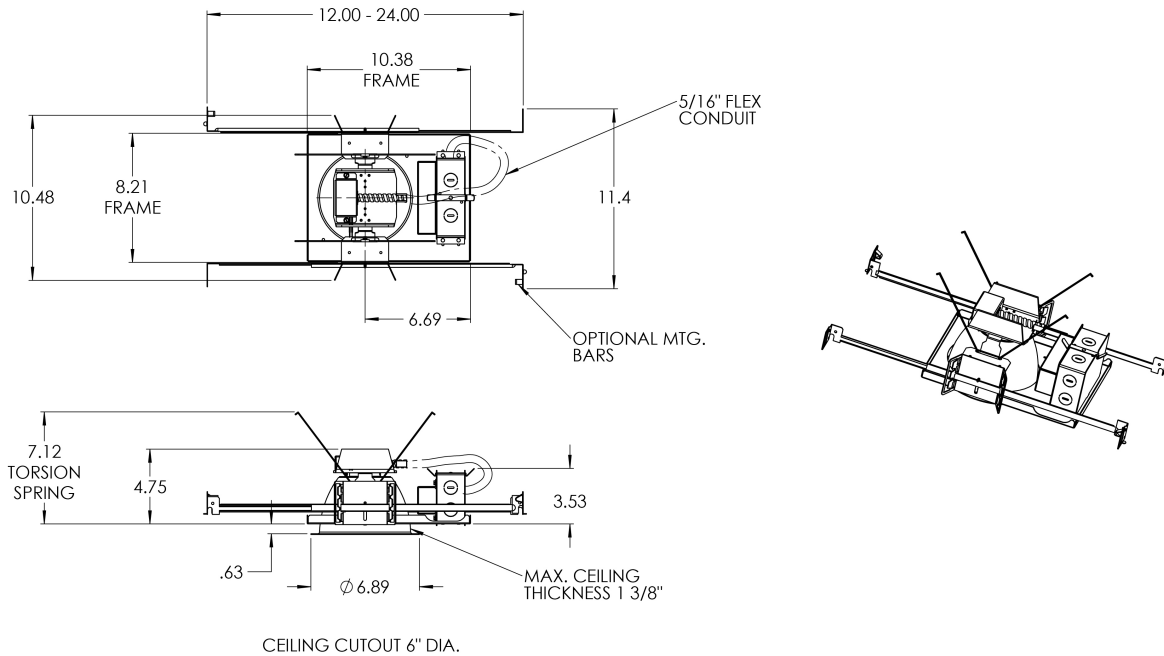
Nominal Lumens	Delivered Lumens	Wattage	Lumens Per Watt
750	1073	9.10	117.91
1100	1274	11.00	111.82
1500	1666	15.60	106.80
2000	2041	19.10	107.21

All measured at 3500K with a standard medium distribution
 *Actual Wattage/Lumens may vary.

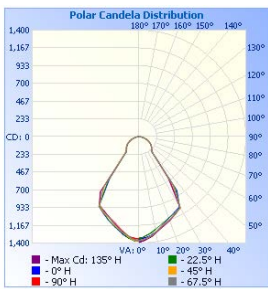
We reserve the right to change design, materials, LED's and finish in any way that will not alter installed appearance or reduce function and performance.

DRAWINGS & IMAGES

New Construction



PHOTOMETRICS



Illuminance at a Distance		
Center Beam fc	Beam Width	
1.7ft	472 fc	2.4 ft 2.5 ft
3.3ft	125 fc	4.7 ft 4.8 ft
5.0ft	54.5 fc	7.2 ft 7.3 ft
6.7ft	30.4 fc	9.6 ft 9.7 ft
8.3ft	19.8 fc	11.9 ft 12.0 ft
10.0ft	13.6 fc	14.3 ft 14.5 ft

■ Vert. Spread: 71.2°
■ Horiz. Spread: 71.9°

Zonal Lumen Summary		
Zone	Lumens	% Luminaire
0-30	976.1	47.9%
0-40	1,416.9	69.5%
0-60	1,768.7	86.7%
60-90	234.8	11.5%
70-100	110.3	5.4%
90-120	16.9	0.8%
0-90	2,003.5	98.2%
90-180	36.2	1.8%
0-180	2,039.6	100%

Lumens Per Zone					
Zone	Lumens	% Total	Zone	Lumens	% Total
0-10	125.2	6.1%	90-100	6.2	0.3%
10-20	340.4	16.7%	100-110	5.5	0.3%
20-30	510.5	25.0%	110-120	5.1	0.3%
30-40	440.8	21.6%	120-130	4.8	0.2%
40-50	181.7	8.9%	130-140	4.6	0.2%
50-60	170.1	8.3%	140-150	4.1	0.2%
60-70	130.8	6.4%	150-160	3.2	0.2%
70-80	77.7	3.8%	160-170	2.0	0.1%
80-90	26.3	1.3%	170-180	0.7	0%

MULTIPLIER

CRI	Multiplier	Kelvin	Multiplier	Reflector Finish	Multiplier
80	1	2700K	0.939	SCL	1
90	0.81	3000K	0.975	SGC	0.95
		3500K	1	WHT	0.87
		4000K	1.035		
		5000K	1.098		

We reserve the right to change design, materials, LED's and finish in any way that will not alter installed appearance or reduce function and performance.