

# Series RRS

## High Output Multi-Function LED Strips

This High Output Multi-Function LED strip offers a family of three different strips to meet a variety of applications in warehouses, retail and utility areas. Available in a cost effective and high output open strip version, a specially designed LED frosted lens version and a narrow focused reflector version. Each version is ideal for different applications and together make a perfect family of products for many industrial and back of house commercial applications. These fixtures can be surface or pendant mounted. Driver box hinges open for easy access to the driver without removing the lens or reflector. Consult for different finishes and different sizes.

### CONSTRUCTION

Housing is die-formed and embossed code 22 gauge steel. Finish is high reflectance baked white enamel. Wiring knockouts are provided on back and end of housing. Ballast cover, reflector or lens attach without tools with hinged construction to simplify ballast access.

### MOUNTING

Surface mount, chain hung, double stem.



Narrow Reflector



Open Strip



Frosted Lensed

### DIMENSIONS

#### Frosted Lens

46L – 46"L x 2.925"W x 3.395"H

92L – 92"L x 2.925"W x 3.395"H

#### White Reflector

46L – 46"L x 4.70"W x 6.20"H

92L – 92"L x 4.70"W x 6.20"H

#### Open

46L – 46"L x 2.925"W x 1.778"H

92L – 92"L x 2.925"W x 1.778"H

### FEATURES & BENEFITS

- 3 types of fixtures with one look: open, reflector and lensed
- Reflector version is ideal for aisle lighting
- Easy to join for continuous run applications. Consult to add wiring harness
- Consult for different finishes, asymmetrical reflector and special lengths
- Optional sensors and emergency drivers available
- Suitable for dry and damp locations
- 50,000 hours life to L70
- >80 CRI
- 5 year warranty



Intertek

REV 09/12/2023



CATALOG#: \_\_\_\_\_  
 PROJECT: \_\_\_\_\_  
 TYPE: \_\_\_\_\_

# Series RRS

High Output Multi-Function LED Strips

## ORDER INFORMATION

Factory at your fingertips. Fill in the blanks to create your part number or create a custom configuration.

RRS

SERIES	LENS <sup>1</sup>		LENGTH		GEAR	WATTAGE* & LUMENS*		REFLECTOR		DRIVER		CCT/CRI**	
RRS	Blank	No Lens	46L	46"	Y	25W	25 Watts 3775 Lumens	Blank	No Refl.	DMV	0-10V Dimming Multivolt 120-277	30K	3000K 80 CRI
						45W	45 Watts 6795 Lumens						
	50W	50 Watts 7207 Lumens	G120	120V 2 wire TRIAC dimming		40K	4000K 80 CRI						
	92L	92"						50W	50 Watts 7207 Lumens	50K	5000K 80 CRI		
			90W	90 Watts 13590 Lumens									
	108W	108 Watts 16308 Lumens											

WH

FINISH		OPTIONS		HANGING KIT OPTIONS	
WH	White	EM14	Emergency battery	HC101	Chain kit with 20' chain and (4) S Hooks
		MDT4	On/off sensor	HC301WH	Cable kit with 4' Cable & 3 Wires Power Feed/ Cable Incl. and White Canopy
		MDD4	Daylight dimming sensor	HC302WH	Cable kit with 12' Cable & 3 Wires Power Feed/ Cable Incl. and White Canopy
				HC3015WWH	Cable kit with 4' Cable & 5 Wires Power Feed/ Cable Incl. and White Canopy
				HC3025WWH	Cable kit with 12' Cable & 3 Wires Power Feed/ Cable Incl. and White Canopy
				2SCS24WH	Two Stem kits with 24" Stem, Canopy and Mounting hardware for a 4' fixture

\*Programmable LED drivers allow custom configured wattages and corresponding lumens.

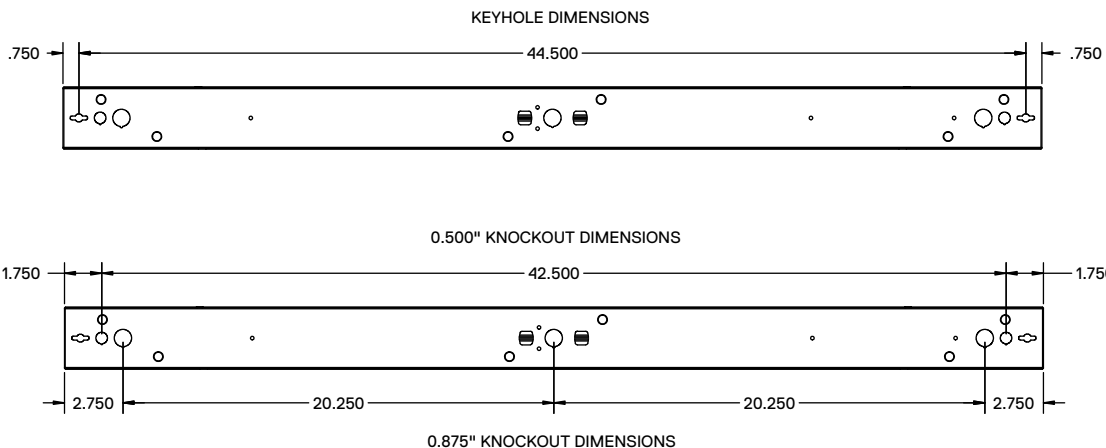
\*\* Consult factory for 90 CRI availability.

1. FR - Frosted Lens option reduces lumen output approximately ~25%.
2. W30 - White reflector reduces lumen output approximately ~10%

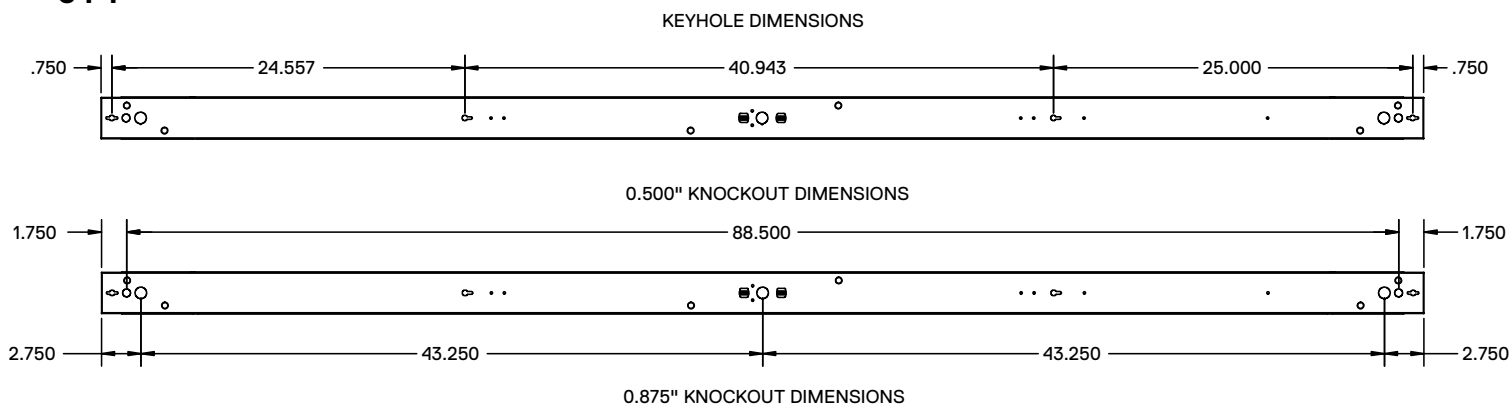
**NOTE:** Values shown are typical or recorded under standardized conditions at 25°C. Actual performance may vary based environment or application. Specifications are subject to change without notice. We reserve the right to change design, materials, LED's and finish in any way that will not alter installed appearance or reduce function and performance.

## DRAWINGS & IMAGES

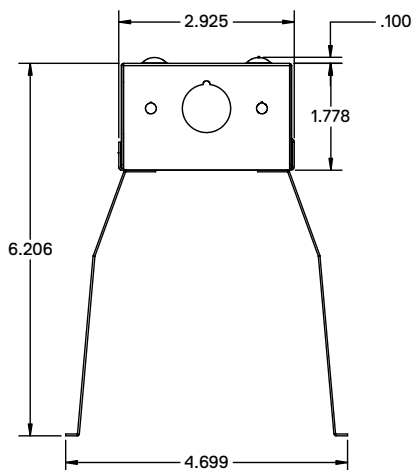
### 4 FT



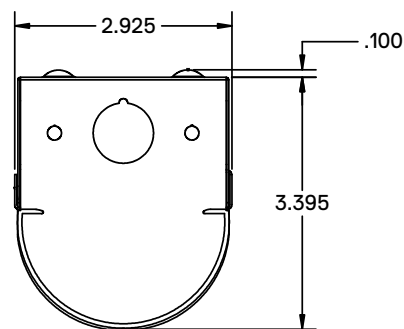
### 8 FT



### Reflector End View



### Lens End View



### Open Strip End View

