



CATALOG#: \_\_\_\_\_  
PROJECT: \_\_\_\_\_  
TYPE: \_\_\_\_\_

# Series RELZXTE

## Recessed Aluminum LED Edgelit Exit Sign



### ILLUMINATION

- Ultra-bright, energy efficient, long life Red or Green LED
- UV-stabilized ultra-clear acrylic edgelit panel provides consistent, uniform illumination
- Double face utilizes factory installed silver or white mylar background panel

### ELECTRICAL

- Dual 120-277 voltage standar. Optional multi-tap 208/22/240 voltage available
- Charge rate/power "ON" LED indicator light and push-to-test switch for mandated code compliance testing
- 4.8V long life, maintenance-free, rechargeable NiCd battery
- Internal solid-state transfer switch automatically connects the internal battery to LED board and LED lamp heads for minimum 90-minute emergency illumination
- Fully automatic solid-state, two rate charger initiates battery charging to recharge a discharged battery in 24 hours

### MOUNTING

- Compatible with drywall or drop ceiling mount installations. Bar hangers included
- Wall mount capability optional

### HOUSING

- Premium-grade, extruded aluminum housing
- Extruded aluminum trim assembly is easily detachable from below, providing accessibility for service or maintenance. Available in black or white powder-coated finishes
- Self adhesive chevron appliques and guide template provided for directional indication

### WARRANTY

- Meets UL924, NFPA 101 Life Safety Code, NEC, OSHA, Local and State Codes.
- 5 year warranty on all electronics and housing. Battery pro-rated for five years.

### DIMENSIONS

15 3/4"L x 5 7/16"W x 10 9/16"H

### OPTIONS

- SDT: Self-diagnostic feature performs monthly, biannual, and annual tests to ensure reliable operation and meet electrical and life safety codes
- 2C: Dual circuit option on the AC-only unit enables it to be connected to two different (one acting as a back-up to the other) power supplies at the same time
- Custom: Signs available with requested 'special' wording
- USA: Substantial transformation assembly in the U.S. complies with "Assembled in the USA" under the Buy American Act
- SPV: UL Listed for special vottage option
- WM: Allows for the unit to be wall recessed mounted
- UL Listed for damp locations (0°-50°C)

#### STANDARD



#### OPTIONAL



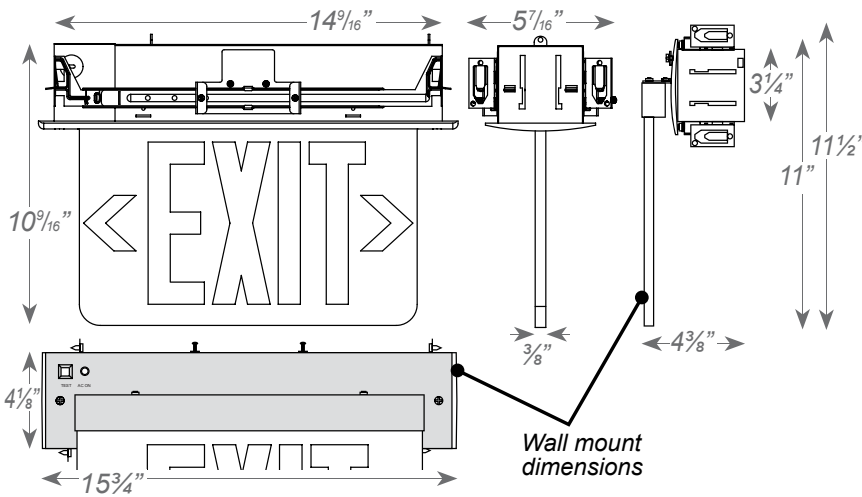
### ORDER INFORMATION

Factory at your fingertips. Fill in the blanks to create your part number or create a custom configuration.

SERIES	NO. OF FACES	LETTER COLOR	PANEL	TRIMP PLATE	BATTERY	OPTIONS	
RELZXTE	1	Single Face	R Red	C Clear <sup>1</sup>	W White	Blank AC Only	Custom Custom Wording
	2	Double Face	G Green	M Mirror	B Black	EM Battery Back-up	SDT Self Diagnostics <sup>3</sup>
				W White	A Aluminum		2C Dual Circuit <sup>4</sup>
						SPV 208/220/240 Volt, 50/60Hz <sup>2</sup>	WM Wall Mount <sup>1</sup>

- <sup>1</sup> With Single Face Only
- <sup>2</sup> Not available with SDT
- <sup>3</sup> Available only with EM units
- <sup>4</sup> Available only with AC units

### DRAWINGS



### ELECTRICAL INFORMATION

Catalog Number	Input Watts (W)					Input Amps (A)				
	120V	277V	208V	220V	240V	120V	277	208V	220V	240V
RELZXTE/EM/SPV	3.6	4.0	4.01	4.07	4.21	0.030	0.020	0.023	0.022	0.021
RELZTE/SDT/2C	3.0	4.0	-	-	-	0.030	0.020	-	-	-

Note:  
 We reserve the right to change design, materials, LEDs and finish in any way that will not alter installed appearance or reduce function and performance.