



Texas Fluorescents
Reinvented

CATALOG#: _____
PROJECT: _____
TYPE: _____

Series 66R

LED Recessed Linear Fixture for T-Grid Ceiling

A linear 6 x 6 fixture for distinctive architectural lighting plans. Ideal for corridors, lobbies, and office areas, 6 x 6 Series fixtures can be installed individually or in a continuous run. Specially designed for direct light only with snap in lens to hide the LED arrays. Ideal for corridors, lobbies, and office areas, etc.

CONSTRUCTION

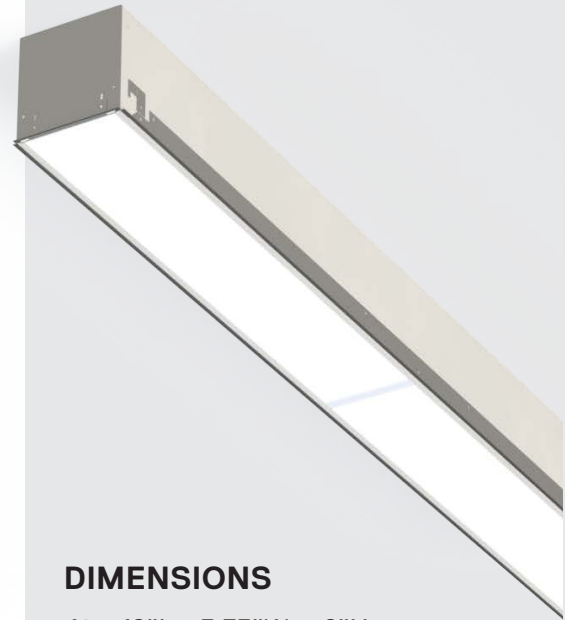
Die-formed and welded 22-gauge cold rolled steel. Knockouts on ends allow continuous wireway mounting. Housing is specially designed for smooth and uniform ambient lighting for all commercial and industrial buildings with recessed configurations.

DIFFUSERS

Fixture accepts various lenses or louvers. 4' and 8' units have a steel mullion to join two individual diffusers.

TYPICAL OPTIONS & ACCESSORIES

Cord sets, whips, occupancy sensors. Contact factory for more details.



DIMENSIONS

4ft.-48"L x 5.75"W x 6"H
8ft.-96"L x 5.75"W x 6"H

FEATURES & BENEFITS

- Can be recessed mounted into ceiling.
- Consult factory for custom length or custom finish
- Can be used individually or in continuous row
- Light is continuous bringing a clean line
- Suitable for commercial or residential areas
- CRI >80 (90 CRI avail)
- >50,000 hrs of L70 LED life
- 0-10 Volt dimmable 120-277V (120 ELV/Triac avail)
- Power factor >0.90
- IC Rated for dry and damp locations
- 5 year warranty





Texas Fluorescents
Reinvented


CATALOG# : _____
PROJECT : _____
TYPE : _____

Series 66R

LED Recessed Linear Fixture
for T-Grid Ceiling

ORDER INFORMATION

Factory at your fingertips. Fill in the blanks to create your part number or create a custom configuration.

SENSOR	SERIES	LENS MATERIAL	LENGTH	WATTAGE & LUMENS	DRIVER	CRI	COLOR
SS Sensor - On/Off SV Bi-level (xx) SD Daylight Harvesting 	66R Recessed for T-Grid Ceiling 66RW Recessed for T-Grid Ceiling Wall Wash	SF Snap-in frosted acrylic lens (85% transmission) Special for LEDs; only available for uplight and downlight	24L 24"	R12W 12 Watts 1200 Lumens R24W 24 Watts 2400 Lumens	DMV G120 0-10V Dimming ELV/Triac dimming at 120V only D1MV 0-10V Dimming (only available with SS sensor) DMV(xx) 0-10V Dimming (dim to 1%) (xx) for percentage of light output when not occupied. (required for SV sensor)	Blank 80 CRI 90 90 CRI	30K 3000K 35K 3500K 40K 4000K 50K 5000K
			48L 48"	R24W 24 Watts 2400 Lumens R48W 48 Watts 4800 Lumens			
			96L 96"	R48W 48 Watts 4800 Lumens R96W 96 Watts 9600 Lumens			

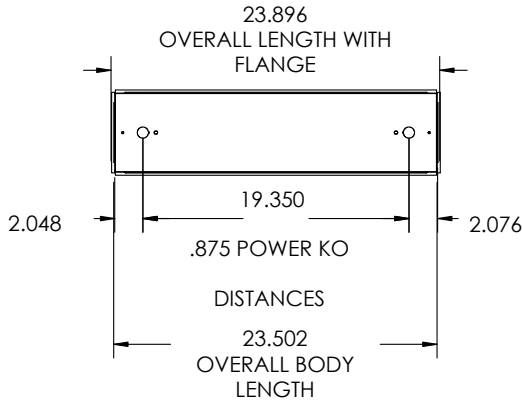
FINISH	CONFIGURATIONS	OPTIONS
WH White BK Black SI Silver	Blank Individual -B Beginner Run -E Ender Run -J Joiner	CP Chicago Plenum EM 10W Emergency battery backup (internal, excludes less than 4ft) EM12 12W Emergency battery backup (internal, excludes less than 4ft) EM20 20W Emergency battery backup (remote only)

Note:

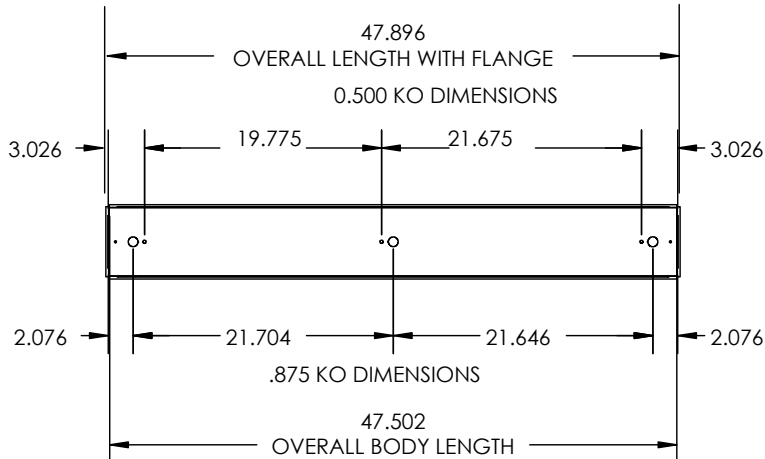
*Programmable LED drivers allow custom configured wattages and corresponding lumens.
We reserve the right to change design, materials, LED's and finish in any way that will not alter installed appearance or reduce function and performance.

DRAWINGS & IMAGES

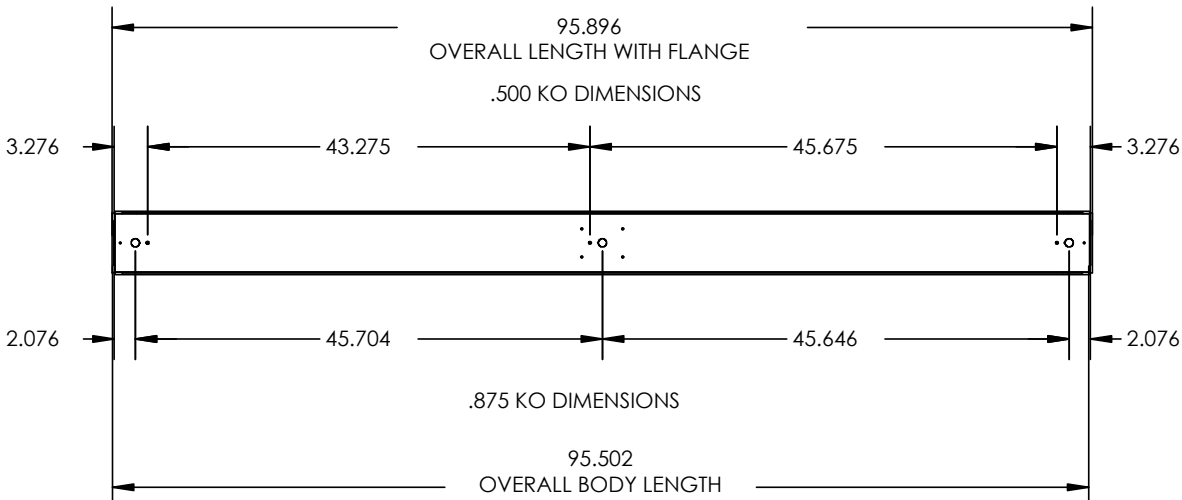
2FT-R



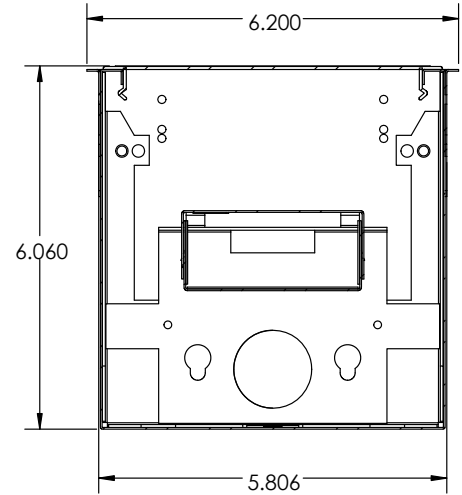
4FT-R



8FT-R



End Side View



REPLACEMENT LENS ORDERING INFORMATION

PART NO.	DESCRIPTION
066RSF24L	Replacement Snap in Frosted lens for 24"
066RSF48L	Replacement Snap in Frosted lens for 48"
066RSF96L	Replacement Snap in Frosted lens for 96"