



Texas Fluorescents
Reinvented

CATALOG#: _____
PROJECT: _____
TYPE: _____

Series 128

LED Recessed Flanged Troffer

Specification grade F-Trim troffer installs directly in plaster ceilings, with a wide face trim to cover rough-in hole. Troffer is ideal for all commercial and industrial buildings requiring recessed illumination in plaster / sheetrock ceilings.

CONSTRUCTION

Housing is die-formed and embossed code 22 gauge steel. Finish is high reflectance baked white enamel. Wiring knockouts are provided on back of housing. Gear tray or reflector snaps into place; no tools required for driver. Lens is held with a hinged steel door frame; frame hinges downward on either side and is held closed by two positive cam latches. Premium, full specular reflectors are available as an option to increase efficiency or modify lighting distribution.

TYPICAL OPTIONS & ACCESSORIES

Emergency battery backup, cord sets, whips, wire guards. Contact factory for additional options.

LED ENGINE

Programmable driver changes LED array output to provide different outputs.

MOUNTING

Recessed Mount for F-Trim for plaster, concealed Z-spline, or woodtrim ceilings.



DIMENSIONS

2x4 - 50.44"L x 24.75"W x 5.12"Dp
1x4 - 50.44"L x 13.25"W x 5.12"Dp

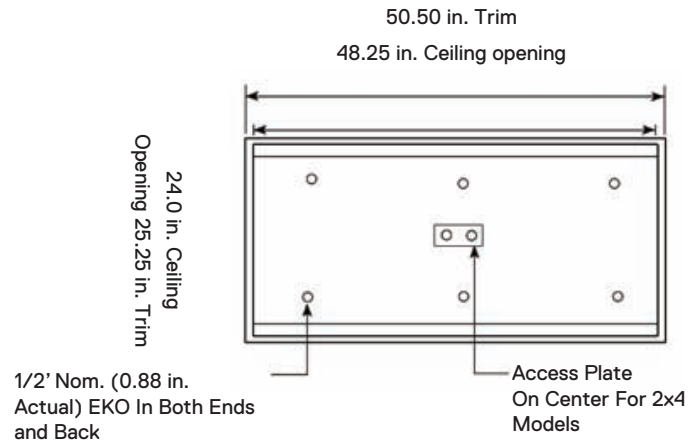
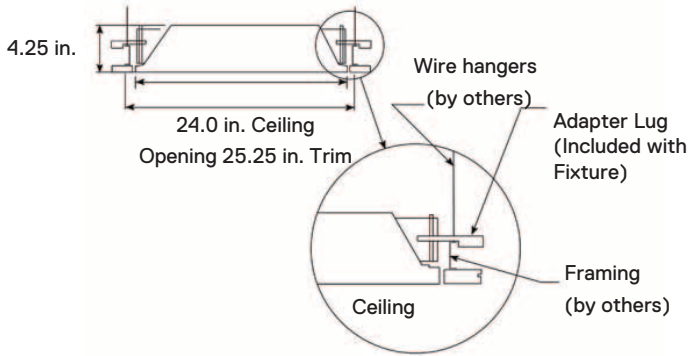
FEATURES & BENEFITS

- Post painted powder coat finish.
- Shallow, low profile design. No external fasteners.
- Clear 0.10" thick acrylic lens is standard; many options available.
- Direct surface mount.
- Fully enclosed spring loaded cam latches allow years of hassle free maintenance.
- Heavy gauge welded end plates and housing ensure durable, rigid construction.
- Fully gasketed door minimizes contaminants.
- >50,000 hrs of L70 LED life
- CRI >80
- 0-10 Volt dimmable 120-277V
- Power Factor 0.99
- 5 year warranty

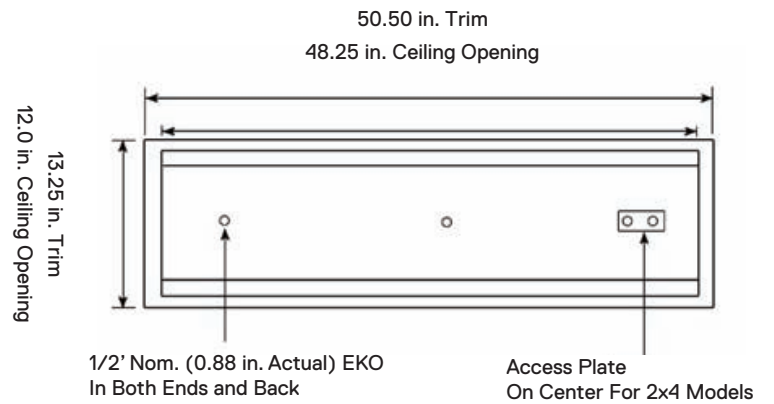
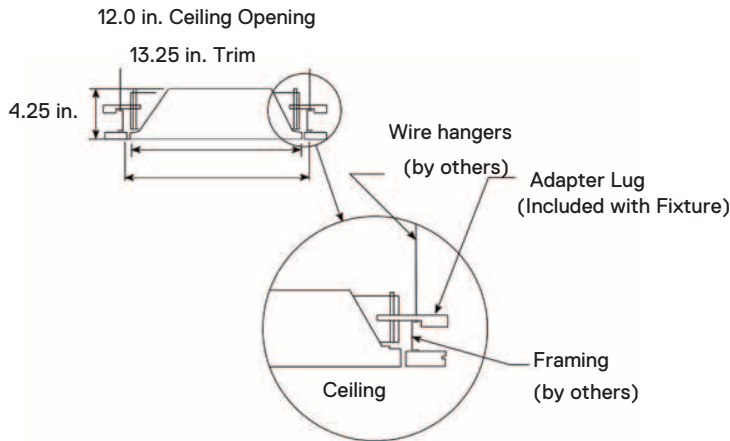


DRAWINGS & IMAGES

2x4



1x4





Texas Fluorescents
Reinvented

CATALOG#: _____
PROJECT: _____
TYPE: _____

Series 128

LED Recessed Flanged Troffer

PRODUCT NUMBERS

2 X 4 Standard

SERIES	DIFFUSER	LENGTH	WATTAGE & LUMENS	DRIVER	CCT		
128	A	24L 2x4	Y28W	DMV	30K 3000K 35K 3500K 40K 4000K 50K 5000K		
	A125		28 Watts 3800 Lumens			120-277VAC 0-10V Dimming	
	MW		Y35W	G120			ELV/TRIAC Dimming at 120V only
	SP1		35 Watts 4600 Lumens				
	SP4		Y40W			40 Watts 5300 Lumens	
	SP2		Y48W			48 Watts 6300 Lumens	
	PLA		Y57W			57 Watts 7100 Lumens	
			* * * *				

1 X 4 Standard

SERIES	DIFFUSER	LENGTH	WATTAGE & LUMENS	DRIVER	COLOR		
128	A	14L 1x4	Y28W	DMV	30K 3000K 35K 3500K 40K 4000K 50K 5000K		
	A125		28 Watts 3500 Lumens			0-10V Dimming	
	MW		Y35W	G120			Triac/ELV Dimming at 120V only
	SP1		35 Watts 4300 Lumens				
	SP4		Y40W			40 Watts 4900 Lumens	
	SP2		Y48W			48 Watts 5800 Lumens	
	PLA		Y57W			57 Watts 6600 Lumens	
			* * * *				

*Programmable LED drivers allow custom configured wattages and corresponding lumens.

NOTE: Values shown are typical or recorded under standardized conditions at 25°C. Actual performance may vary based environment or application. Specifications are subject to change without notice. We reserve the right to change design, materials, LED's and finish in any way that will not alter installed appearance or reduce function and performance.