



JOB NAME:

CAT#:

TYPE:

APPLICATIONS

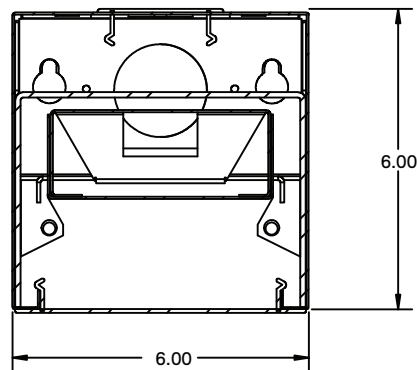
Specification grade, modular linear lighting luminaire in a geometric 6 inch shape. For use in indoor applications where individual or continuous lighting is desired for general or perimeter lighting applications. The L66 LED Series is available in surface, pendant (suspended) or recessed. Recessed L66 Series are available for T-bar installation without a flange or for flanged construction for sheetrock installation. Pendant and surface mount configurations allow direct light only. Pendant mounted fixtures can be used with cable kits or rigid stem kits specified separately. Surface and pendant fixtures can be painted in a variety of finishes for the right look for your application.

Housing is die-formed and welded of heavy gauge cold rolled steel. Knockouts on the ends allow continuous wireway mounting. Fixtures can be hung in various types of recessed ceilings. Leveling lugs are available to support regular recess units. All metal parts are cleaned and treated with a three-stage phosphate coating. These are electrostatically sprayed with high quality white baking enamel providing a minimum of 67% reflectivity.

FEATURES & BENEFITS

- 6.0W x 6.0H (See Dimensions)
- Various lenses lie on the side flanges
- 6' and 8' units have a steel mullion to join two individual diffusers
- Recessed versions are all IC Rated (L66R,L66RF,L66RR)
- cETL_{us} listed

DIMENSIONS



Uplight & Downlight



Continuous Run End



Wall/Pendant Mount

Dimensions and specifications subject to change without notice.





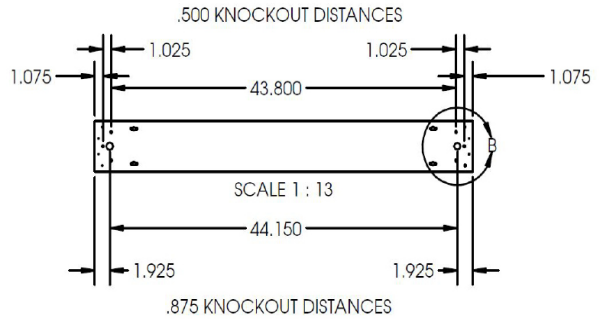
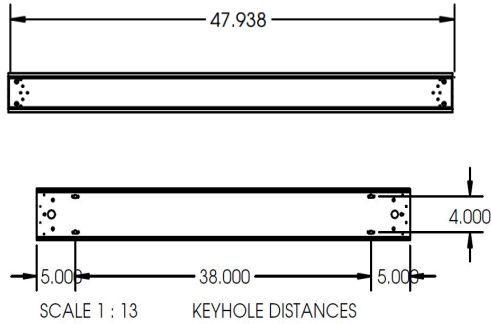
JOB NAME:

CAT#:

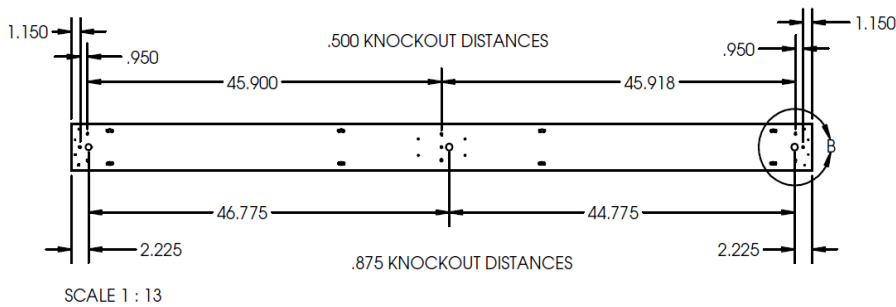
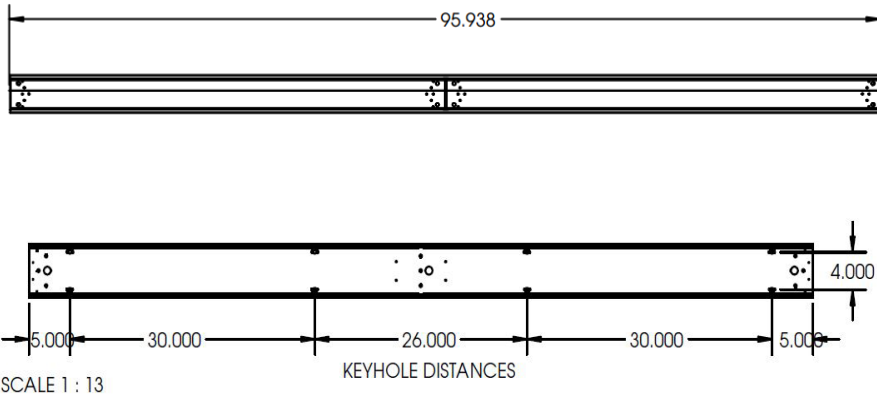
TYPE:

DIMENSIONS

4FT Dimensions



8FT Dimensions



Dimensions and specifications subject to change without notice.





JOB NAME:

CAT#:

TYPE:

ORDERING

EXAMPLE: L66R 48 LED 24 DMV WH S5 30 EM HC301WH P11

LED

| 1. SERIES | 2. LENGTH | 3. GEAR | 4. LIGHT DISTRIBUTION | 5. WATTAGE/LUMENS | 6. DRIVER | 7. FINISH |
|--|--------------------------------|------------|---|---|--|---|
| L66R¹ Regular Recessed Lay-in | 48¹ 48" long | LED | Blank Downlight std. U Uplight 1U2D Up and Downlight | Up or Down Only 4 ft. | DMV 120-277V Multivolt Dimmable 0-10V | WH Matte White SL Silver |
| | 96¹ 96" long | | | | | |
| L66RF Recessed w/ Flange | | | | 24 24W 2400 Lumens 35 35W 3400 Lumens 48 48W 4800 Lumens | SDMV Step dimming Multivolt | BK Matte Black BZ Bronze |
| L66RR Recessed w/ 1/2" Flange for Drywall | | | | 57 57W 5400 Lumens 72 72W 7000 Lumens | | |
| L66S Surface Mounted | | | | 8 ft. | DHV 347-480VAC 0-10V Dimming | IN Iron |
| L66W Wall Mounted | | | | 97 97W 9600 Lumens 114 114W 10800 Lumens | | |
| L66P Pendant Mounted | | | | Up/Down 4 ft. | D347V 347VAC 0-10V Dimming | |
| | | | | 24 24W 800U-1600D 36 36W 1200U-2400D 48 48W 1600U-3200D 57 57W 1900U-3800D 72 72W 2400U-4800D | | |
| | | | | 8 ft. | TDMV Triac Dimming 120-277VAC | |
| | | | | 48 48W 1600U-3200D 72 72W 2400U-4800D 97 97W 3200U-6400D 108 108W 3600U-7200D 114 114W 3600U-7200D | | |

| 8. LENS MATERIAL | 9. COLOR TEMP | 10. REFLECTOR(O) ³ | 11. EMERGENCY(O) ³ | 12. CABLE(O) ³ |
|--|-----------------|--|---|--|
| SF Snap-in Frosted (85% transmission) | 30 3000K | Blank Standard WW White Wash M35 Assymetrical reflector for wall wash | EM Emergency Battery Pack 10W ~ 1700 lumens EM5 Emergency Battery Pack 5W ~ 850 Lumens | HC301WH 4' cable kit with white canopy |
| | 35 3500K | | | HC301WH5W 4' cable kit + power feed 0-10V dimming Cable incl. w/white canopy (5 wire) |
| | 40 4000K | | | HC302WH 12' cable kit with white canopy |
| | 50 5000K | | | HC302WH5W 12' cable kit + power feed; 0-10V dimming Cable incl. w/white canopy (5 wire) |
| | | | | HC401WH Cable kit with 4' cable & 3 wire power feed/cable incl. and white canopy |
| | | | | 2SCS24WH Two stem kits w/24" stem canopy & mount hardware for 4 ft. fixture |

| 13. PLUG IN(O) ³ | 14. CONFIGURATION |
|--|-------------------------|
| PI1 3 wire harness, including white, black and green | BLANK Individual |
| PI2 4 wire harness, including white, black, green and blue for emergency backup | -B Beginner Run |
| PI3D 5 wire harness, including white, black, green, violet and gray | -E Ender Run |
| | -J Joiner |

NOTES

Custom louvers available in any cell configuration. Consult factory for additional information.
¹4 Recessed grid fixtures will be 1-2" shorter than specified length
²Only available for downlight side of fixture
³O is Optional

Dimensions and specifications subject to change without notice.

