

# Series L23S

## LED Surface Mount Linear Fixture

A linear 2 x 3 fixture for distinctive architectural lighting plans. Ideal for corridors, lobbies, and office areas, 2 x 3 Series fixtures can be installed individually or in a continuous run. Specially designed for direct lighting with snap in lens to hide the LED arrays.

### CONSTRUCTION

Die-formed and welded 22-gauge cold rolled steel. Knockouts on ends allow continuous wire-way mounting.

### DIFFUSERS

Specially formulated LED frosted lenses with snap in feature for easy access.

### TYPICAL OPTIONS & ACCESSORIES

Whips, occupancy sensors, etc.

Contact factory for more details.



### DIMENSIONS

2ft.-24"L x 2"W x 3"H

4ft.-48"L x 2"W x 3"H

6ft.-72"L x 2"W x 3"H

8ft.-96"L x 2"W x 3"H

### FEATURES & BENEFITS

- Surface mount kit accommodates most ceiling types
- Attractive source of direct or indirect lighting for use in offices, hallways, conference rooms and medical facilities
- Available in custom finish. Consult factory for details
- Suitable for dry or damp location
- 50,000 hrs of L70 LED life
- CRI >80, consult for 90 CRI options
- 120-277V
- Power Factor 0.99
- 115 lm/w
- 0-10V dimming
- 5 year warranty



### ORDERING GUIDE Up or Down Light Only

SERIES	MOUNTING	DIFFUSER	LENGTH <sup>5</sup>	GEAR	DISTRIBUTIONS	WATTAGE <sup>1</sup>
L23	S Surface	SF Snap-in frosted acrylic lens (85% transmission) Special for LEDs; only available for upright and downlight	24L 24"	T	BLANK Downlight Only	8W 8 Watts, 900 Lumens
						12W 12 Watts, 1300 Lumens
						18W 18 Watts, 2000 Lumens
						23W 23 Watts, 2500 Lumens
			48L 48"			16W 16 Watts, 1800 Lumens
						24W 24 Watts, 2600 Lumens
						36W 36 Watts, 4000 Lumens
						45W 45 Watts, 5000 Lumens
			72L 72"			24W 24 Watts, 2600 Lumens
						36W 36 Watts, 4000 Lumens
						54W 54 Watts, 5900 Lumens
						68W 68 Watts, 7500 Lumens
			96L 96"			32W 32 Watts, 3500 Lumens
						48W 48 Watts, 5300 Lumens
						72W 72 Watts, 7900 Lumens
						90W 90 Watts, 10000 Lumens

DRIVER	FINISH <sup>2</sup>	CRI/CCT <sup>3</sup>	CONFIGURATION	EMERGENCY <sup>4</sup>
DMV 120-277VAC 0-10V Dimming	WH White	30K 3000K	Blank Individual	EM14 14W Emergency battery backup (integrated in fixtures 4' and longer)
	BK Black	80 CRI		
G120 ELV/TRIAC Dimming at 120V only	SL Silver	35K 3500K	-B Beginner Run	
	** Custom Color	80 CRI	-E Ender Run	
D1MV 120-277VAC 0-10V Dimming (dim to 1%)		40K 4000K	-J Joiner	
		80 CRI		
		50K 5000K		
SRMV 120-277VAC Phillips Sensor-Ready		80 CRI		
		930K 3000K		
DALMV 120-277VAC DALI Dimming		90 CRI		
		935K 3500K		
		940K 4000K		
		90 CRI		

#### SENSOR

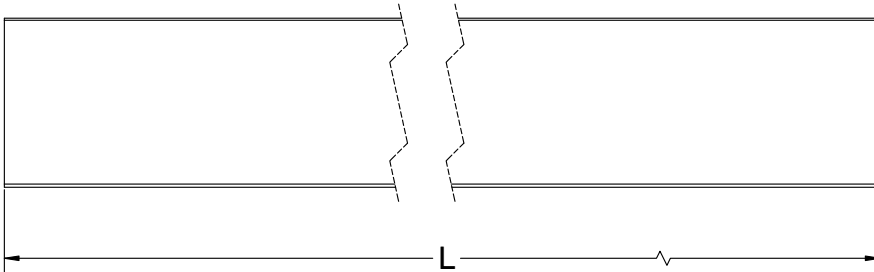
Blank	No Sensor
SS	On/Off Sensor
SV	Bi-Level Sensor
SD	Daylight Harvesting Sensor
SM	Microwave Sensor

- Note:
1. Programmable LED drivers allow custom configured wattages and corresponding lumens.
  2. \*\*RAL custom finishes available. Consult factory for more information or pricing requests.
  3. Consult factory for 90 CRI 5000K availability.
  4. Only Remote EM available in 2' or less luminaire.
  5. Consult factory for custom lengths.

Values shown are typical or recorded under standardized conditions at 25°C. Actual performance may vary based environment or application. Specifications are subject to change without notice. We reserve the right to change design, materials, LED's and finish in any way that will not alter installed appearance or reduce function and performance.

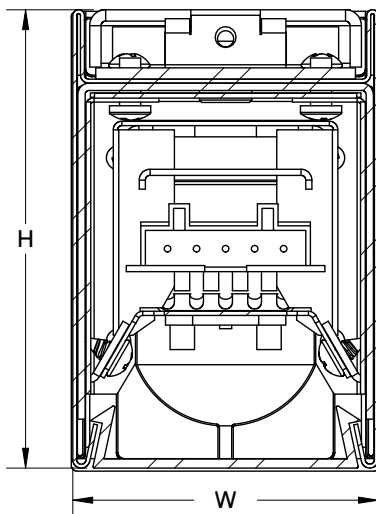
CATALOG#: \_\_\_\_\_  
 PROJECT: \_\_\_\_\_  
 TYPE: \_\_\_\_\_

## SURFACE MOUNT DRAWINGS AND DIMENSIONS

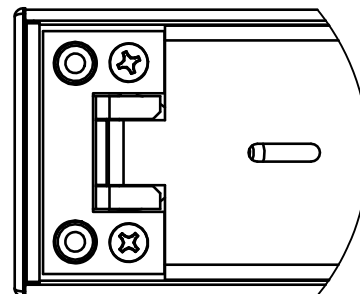


PART	L	W	H	L-Length W-Width H-Height
L23S12L	12.00"	2.00"	3.00"	
L23S24L	24.00"	2.00"	3.00"	
L23S36L	36.00"	2.00"	3.00"	
L23S48L	48.00"	2.00"	3.00"	
L23S60L	60.00"	2.00"	3.00"	
L23S72L	72.00"	2.00"	3.00"	
L23S84L	84.00"	2.00"	3.00"	
L23S96L	96.00"	2.00"	3.00"	

**End Side View**



**End Top View**



We reserve the right to change design, materials, LED's and finish in any way that will not alter installed appearance or reduce function and performance.