



Texas Fluorescents  
Reinvented

CATALOG#: \_\_\_\_\_  
PROJECT: \_\_\_\_\_  
TYPE: \_\_\_\_\_

# Series V6OFCR

## 6" Round LED Downlight

Commercial shallow downlights are designed to provide premium features at a commercial value. The Open precision spun reflector provides a medium distribution and sharp light cutoff. Standard 0-10V 10% dimming driver; optional drivers available.

### CONSTRUCTION

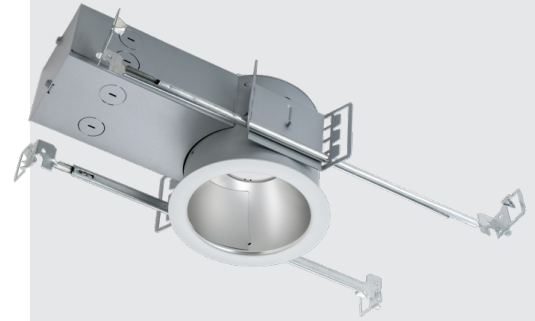
US cold-rolled steel housing. Knock outs for through wiring. Mounting ears accept standard hanger bars 14" - 24" (included). Adjustable mounting ears and junction box.

### OPTICS

Precision spun reflector. Reflectors available in Alzak® and painted finishes. Distribution is free of streaks, striations and hotspots. Medium distribution or 45° Cutoff.

### TYPICAL OPTIONS & ACCESSORIES

90CRI, 0-10V dimming driver, Triac dimming driver, Chicago Plenum(Up to 4000 lumens). Emergency battery backup options available. Contact factory for more details.



### DIMENSIONS

11.99"L x 4.65"W x 6.11"H

### FEATURES & BENEFITS

- 750 - 4000 lumens
- 2700K - 5000K CCT
- 80 CRI with 3 SDCM color consistency (+90 CRI optional)
- Standard 0-10V 10% dimming driver; optional drivers available
- 120V - 277V Input Volts
- Minimum 50,000 hour lifetime at L70
- -20°C to 30°C Ambient Operating Temperature Range
- Chicago Plenum. Up to 4000 lumens.
- ETL certified to UL 1598 and UL8750 requirements
- Tested according to LM-79 and LM-80 standards
- Suitable for damp locations; Wet location under covered ceiling
- Buy American Act (BAA)
- 5-year limited warranty on LED module and driver



### ORDERING GUIDE

SERIES	VOLTAGE	LUMENS	KELVIN (CCT)	REFLECTOR	REFLECTOR FINISH <sup>1</sup>
V6OFCR	U 120-277V 0-10V Dimming Dim to 10%	07 750	27K 2700K	F6060 <sup>1</sup> Medium Open Reflector	SCL Specular Clear
		11 1100	80 CRI		
		15 1500	30K 3000K	F6019 <sup>2</sup> Non-Conductive Shower Trim	SGC Soft Glow Clear
		20 2000	80 CRI		
		30 3000	35K 3500K		
		40 4000	80 CRI		
			40K 4000K		
			80 CRI		
			50K 5000K	WHT White Matte	
			80 CRI		

### OPTIONS

TDM	Triac (Forward Phase, 120V only) dimming driver
HCR	High CRI, 90+ minimum. Not available in 5000 Kelvin
PF	Polished Flange
REM	Emergency battery back-up. Remote test button & indicator light.
CP	Chicago Plenum. Up to 4000 lumens

Note:  
 1. All trims supplied standard with white painted flange. See illustration 1.2  
 2. See illustration 1.1

We reserve the right to change design, materials, LED's and finish in any way that will not alter installed appearance or reduce function and performance.

### ILLUSTRATION 1.1

#### Non-Conductive Shower Trim - F4019



### ILLUSTRATION 1.2

#### Reflector Finishes



**WHT**  
White Matte



**SGC**  
Soft Glow Clear



**SCL**  
Specular Clear

## PERFORMANCE

### Lumens

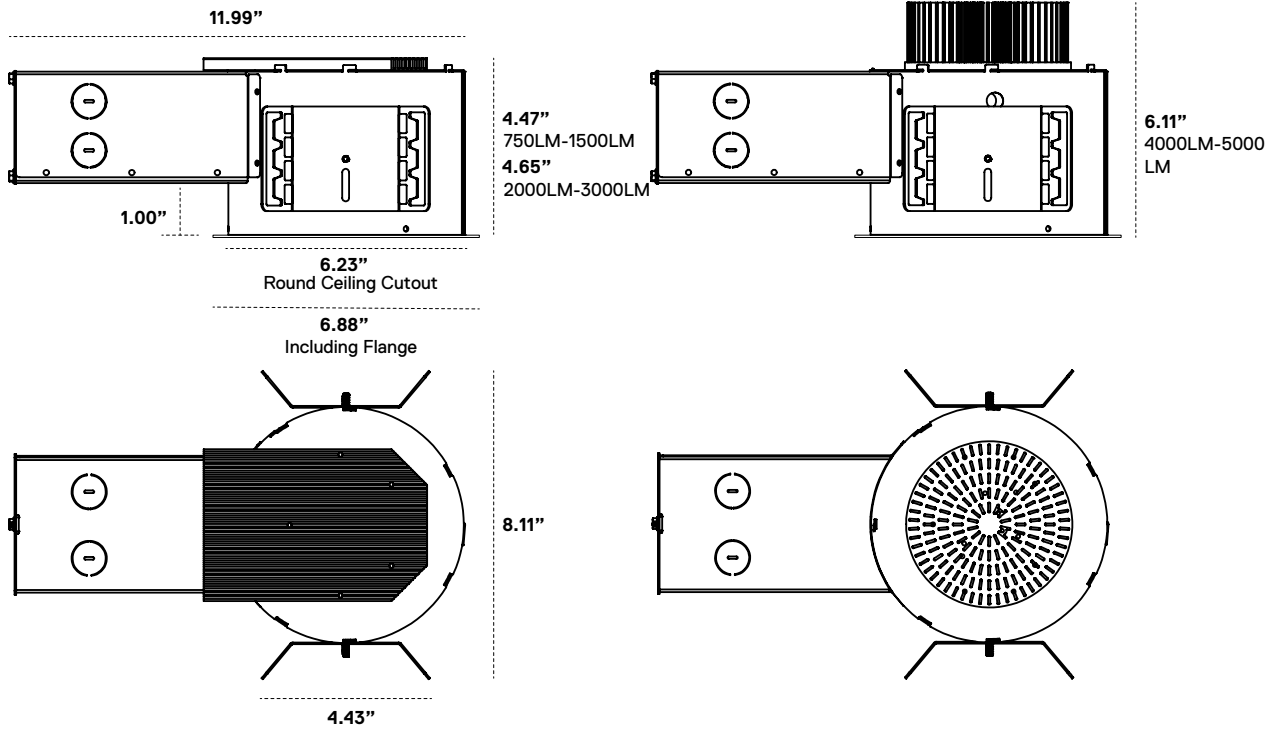
Nominal Lumens	Delivered Lumens	Wattage	Lumens Per Watt
750	720	9.4	76.6
1100	1057	15.4	68.64
1500	1441	21.6	66.71
2000	1921	25.8	74.46
3000	2876	33.39	86.13
4000	3592	45.6	78.77

All measured at 3500K with a standard medium distribution  
 \*Actual Wattage/Lumens may vary.

We reserve the right to change design, materials, LED's and finish in any way that will not alter installed appearance or reduce function and performance.

**DRAWINGS & IMAGES**

**New Construction**



**PHOTOMETRICS**

**MEDIUM - MD 2035K**

**Model**

V6OFCR-2035K-F6060-SCL

**Lumens**

1,921

**Watts**

25.8

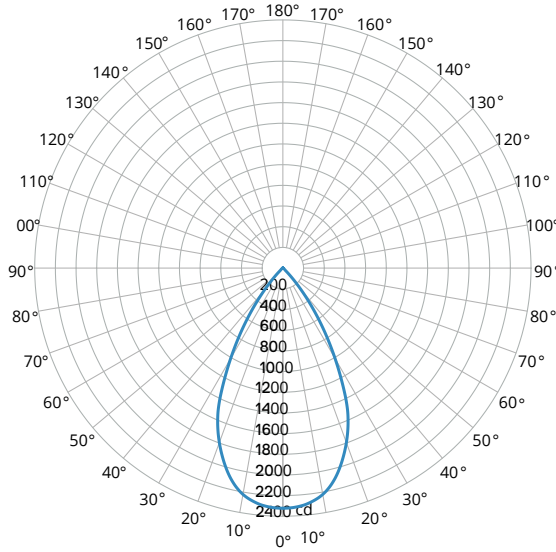
**Efficacy**

74.46

**SC**

0.89

**Candela Curve**



**Cone of Light**

Mounting Height AFF	FC at Center on Floor	Beam Diameter
8.0'	36 fc	8.6'
10.0'	23 fc	10.8'
12.0'	16 fc	12.9'
14.0'	12 fc	15.1'
16.0'	9 fc	17.2'
20.0'	6 fc	21.5'
24.0'	4 fc	25.8'
30.0'	3 fc	32.3'

**Candela Table**

Beam Angle	Candela
0.00°	2,322
5.00°	2,302
10.00°	2,223
15.00°	2,050
20.00°	1,796
30.00°	1,010
40.00°	275
50.00°	25
60.00°	10
70.00°	5
80.00°	2
90.00°	0

**Zonal Lumen Summary**

Zone	Lumens	% Luminaire
0° - 30°	1,442	75%
0° - 40°	1,819	95%
0° - 60°	1,910	99%
60° - 90°	11	1%
0° - 20°	788	41%
20° - 50°	1,107	58%
50° - 70°	22	1%
70° - 90°	4	0%
0° - 90°	1,921	100%
90° - 180°	0	0%
Total	1,921	100%

**Spacing Criterion**

Height	Spacing	Light Level*
8 ft	7.1 ft	~ 36 fc
10 ft	8.9 ft	~ 23 fc
12 ft	10.7 ft	~ 16 fc
8 ft	5.3 ft	~ 65 fc
10 ft	6.7 ft	~ 41 fc
12 ft	8.0 ft	~ 29 fc
8 ft	3.6 ft	~ 145 fc
10 ft	4.5 ft	~ 93 fc
12 ft	5.3 ft	~ 65 fc

\* approximate direct light level at floor based on spacing criterion overlap

**MULTIPLIER**

CRI	Multiplier	Kelvin	Multiplier	Reflector Finish	Multiplier
80	1	2700K	0.939	SCL	1
90	0.81	3000K	0.975	SGC	0.95
		3500K	1	WHT	0.87
		4000K	1.035		
		5000K	1.098		