



Texas Fluorescents
Reinvented

CATALOG#: _____
PROJECT: _____
TYPE: _____

Series V40FCR

4" Round LED Downlight

Commercial shallow downlights are designed to provide premium features at a commercial value. The Open precision spun reflector provides a medium distribution and sharp light cutoff. Standard 0-10V 10% dimming driver; optional drivers available.

CONSTRUCTION

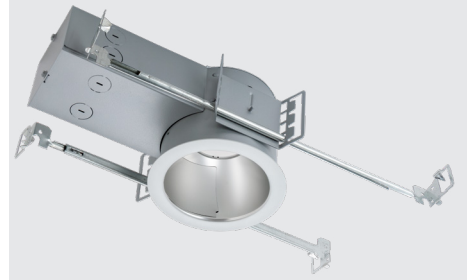
Galvanized steel frame with integrated junction box. Knock outs for through wiring. Mounting ears accept standard hanger bars 14" - 24" (included). Adjustable mounting ears and junction box.

OPTICS

Precision spun reflector. Reflectors available in Alzak® and painted finishes. Distribution is free of streaks, striations and hotspots. 60° Medium distribution or 45° Cutoff.

TYPICAL OPTIONS & ACCESSORIES

90CRI, 0-10V dimming driver, Triac dimming driver, Chicago Plenum(Up to 4000 lumens). Emergency battery backup options available. Contact factory for more details.



DIMENSIONS

10.40"L x 3.96"W x 5.42"H

FEATURES & BENEFITS

- 750 - 4000 lumens
- 2700K - 5000K CCT
- 80 CRI with 3 SDCM color consistency (+90 CRI optional)
- Standard 0-10V 10% dimming driver; optional drivers available
- 120V - 277V Input Volts
- Minimum 50,000 hour lifetime at L70
- -20°C to 30°C Ambient Operating Temperature Range
- Chicago Plenum. Up to 4000 lumens.
- ETL certified to UL 1598 and UL8750 requirements
- Tested according to LM-79 and LM-80 standards
- Suitable for damp locations; Wet location under covered ceiling
- Buy American Act (BAA)
- 5-year limited warranty on LED module and driver



CATALOG#: _____
 PROJECT: _____
 TYPE: _____

Series V4OFCR

4" Round LED Downlight

ORDERING GUIDE

SERIES	VOLTAGE	LUMENS	KELVIN (CCT)	REFLECTOR	REFLECTOR FINISH ¹
V4OFCR	U 120-277V 0-10V Dimming Dim to 10%	07 750	27K 2700K 80 CRI	F4060 ¹ Medium 60° Open Reflector	SCL Specular Clear
		11 1100	80K 8000K 80 CRI		
		15 1500	30K 3000K 80 CRI	F4019 ² Non-Conductive Shower Trim	SGC Soft Glow Clear
		20 2000	35K 3500K 80 CRI		
		30 3000	40K 4000K 80 CRI		
		40 4000	50K 5000K 80 CRI		

OPTIONS

- TDM** Triac (Forward Phase, 120V only) dimming driver
- HCR** High CRI, 90+ minimum. Not available in 5000 Kelvin
- PF** Polished Flange
- REM** Emergency battery back-up. Remote test button & indicator light
- CP** Chicago Plenum. Up to 4000 lumens.

Note:
 1. All trims supplied standard with white painted flange. See illustration 1.2
 2. See illustration 1.1

We reserve the right to change design, materials, LED's and finish in any way that will not alter installed appearance or reduce function and performance.

ILLUSTRATION 1.1

Non-Conductive Shower Trim - F4019



ILLUSTRATION 1.2

Reflector Finishes



WHT
White Matte



SGC
Soft Glow Clear



SCL
Specular Clear

PERFORMANCE

Lumens

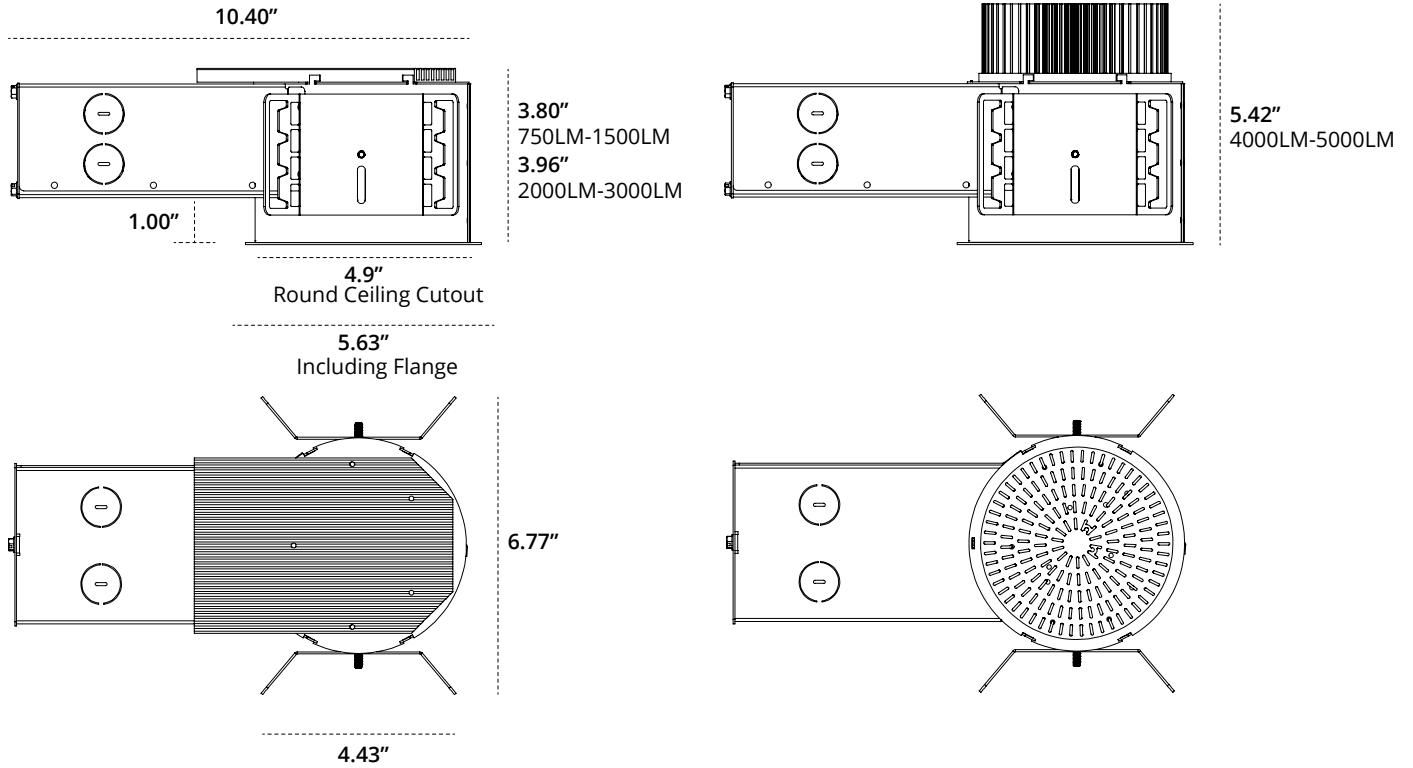
Nominal Lumens	Delivered Lumens	Wattage	Lumens Per Watt
750	685	8.88	77.14
1100	1176	15.4	76.36
1500	1604	20.5	78.24
2000	2260	25.3	89.33
3000	2876	33.39	86.13
4000	4126	46.0	89.69

All measured at 3500K with a standard medium distribution
 *Actual Wattage/Lumens may vary.

We reserve the right to change design, materials, LED's and finish in any way that will not alter installed appearance or reduce function and performance.

DRAWINGS & IMAGES

New Construction



PHOTOMETRICS

MEDIUM - 60° 2035K

Model

V4OFCR-2035K-F4060-SCL

Lumens

2,260

Watts

25.3

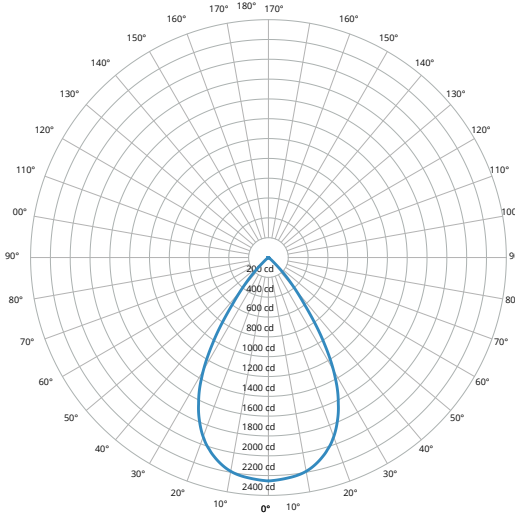
Efficacy

89.33

SC

0.99

Candela Curve



Cone of Light

Mounting Height AFF	FC at Center on Floor	Beam Diameter
8.0'	35 fc	10.0'
10.0'	23 fc	12.5'
12.0'	16 fc	15.0'
14.0'	12 fc	17.5'
16.0'	9 fc	20.0'
20.0'	6 fc	24.9'
24.0'	4 fc	29.9'
30.0'	3 fc	37.4'

Candela Table

0.00°	2,254
5.00°	2,233
15.00°	2,088
90.00°	0

Zonal Lumen Summary

Zone	Lumens	% Luminaire
0° - 30°	1,556	69%
0° - 40°	2,084	93%
0° - 60°	2,238	99%
60° - 90°	22	1%
0° - 20°	800	36%
20° - 50°	1,477	66%
50° - 70°	45	2%
70° - 90°	9	0%
0° - 90°	2,253	100%
90° - 180°	0	0%
Total	2,253	100%

Spacing Criterion

Height	Spacing	Light Level*
8 ft	7.9 ft	~ 35 fc
10 ft	9.9 ft	~ 23 fc
12 ft	11.9 ft	~ 16 fc
8 ft	5.9 ft	~ 63 fc
10 ft	7.4 ft	~ 40 fc
12 ft	8.9 ft	~ 28 fc
8 ft	4.0 ft	~ 141 fc
10 ft	5.0 ft	~ 90 fc
12 ft	5.9 ft	~ 63 fc

* approximate direct light level at floor based on spacing criterion overlap

MULTIPLIER

CRI	Multiplier	Kelvin	Multiplier	Reflector Finish	Multiplier
80	1	2700K	0.939	SCL	1
90	0.81	3000K	0.975	SGC	0.95
		3500K	1	WHT	0.87
		4000K	1.035		
		5000K	1.098		