



Texas Fluorescents  
Reinvented

CATALOG#: \_\_\_\_\_  
PROJECT: \_\_\_\_\_  
TYPE: \_\_\_\_\_

# Series RMD-V60FCR

## 6" Open, Remodeler Kit

Commercial LED Remodeler kits are designed to update existing CFL, incandescent, halogen and HID downlights. Easy to install and reduce lighting energy and maintenance costs. Standard 0-10V 10% dimming driver; optional drivers available.

### CONSTRUCTION

US cold-rolled steel housing. Minimal components above ceiling to fit into existing spaces. Key Slots secure reflector to LED light engine assembly. C-Shaped pan allows for easy installation through existing ceiling hole and is secured with clips to the ceiling.

### OPTICS

Precision spun reflector. Reflectors available in Specular Clear, Soft Glow Clear and White Matte. Distribution is free of streaks, striations and hotspots. 60° Medium distribution or 45° Cutoff.

### TYPICAL OPTIONS & ACCESSORIES

90CRI (not available in 5000K), 0-10V 1% dimming driver, 0-10V 10% dimming driver, Triac dimming driver. Emergency battery backup options available. Contact factory for more details.



### DIMENSIONS

See Page 4

### FEATURES & BENEFITS

- 1100 - 5000 lumens
- 2700K - 5000K CCT
- 80 CRI with 3 SDCM color consistency (+90 CRI optional)
- Standard 0-10V 10% dimming driver; optional drivers available
- 120V - 277V Input Volts
- Minimum 50,000 hour lifetime at L70
- -20°C to 30°C Ambient Operating Temperature Range
- ETL certified to UL 1598 and UL8750 requirements
- Tested according to LM-79 and LM-80 standards
- Suitable for damp locations; Wet location under covered ceiling
- Buy American Act (BAA)
- 5-year limited warranty on LED module and driver
- Insulation cannot be in direct contact with luminaire



## ORDERING GUIDE

SERIES	VOLTAGE	LUMENS		KELVIN (CCT)		REFLECTOR	REFLECTOR FINISH <sup>1</sup>	
RMD-V6OFCR	U 120-277V	11	1100	27K	2700K	F6060 <sup>1</sup>	Medium 60° Open Reflector	SCL-R Specular Clear
			15		1500			
		20	2000	30K	3000K	F6019 <sup>2</sup>	Non-Conductive Shower Trim	SGC-R Soft Glow Clear
			30		3000			
		40	4000	35K	3500K			WHT-R White Matte
			50		5000			
		40K	4000K	50K	5000K			
			80 CRI		80 CRI			
		50K	5000K		80 CRI			
			80 CRI		80 CRI			

### OPTIONS

TDM	Triac (Forward Phase, 120V only) dimming driver
HCR	High CRI, 90+ minimum. Not available in 5000 Kelvin
PF	Polished Flange
REM	Emergency battery back-up. Remote test button & indicator light
GR-6-xx	6" Goof Ring (specify outer dimension in inches where 'xx' are.)

Note:

1. All trims supplied standard with white painted flange. See illustration 1.2
2. See illustration 1.1

We reserve the right to change design, materials, LED's and finish in any way that will not alter installed appearance or reduce function and performance.

**ILLUSTRATION 1.1**

**Non-Conductive Shower Trim - F6019**



**ILLUSTRATION 1.2**

**Reflector Finishes**



**WHT**  
 White Matte



**SGC**  
 Soft Glow Clear



**SCL**  
 Specular Clear

**PERFORMANCE**

**Lumens**

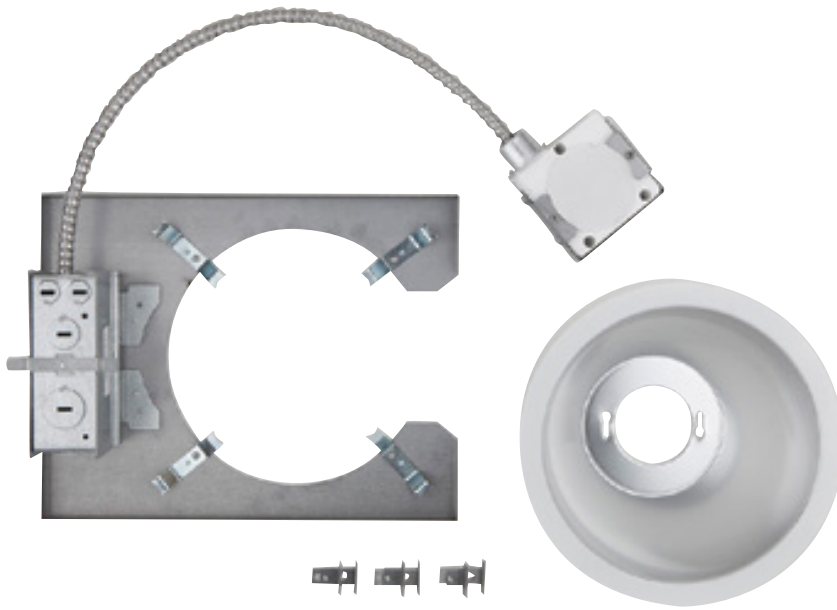
Nominal Lumens	Delivered Lumens	Wattage	Lumens Per Watt
1100	1057	15.4	68.64
1500	1441	21.6	66.71
2000	1921	25.8	74.46
3000	2876	33.39	86.13
4000	3592	45.6	78.77
5000	4491	58.3	77.03

All measured at 3500K with a standard medium distribution  
 \*Actual Wattage/Lumens may vary.

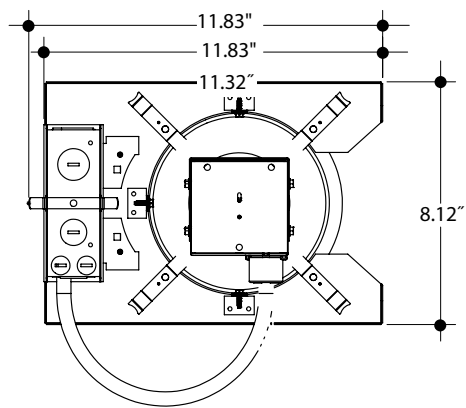
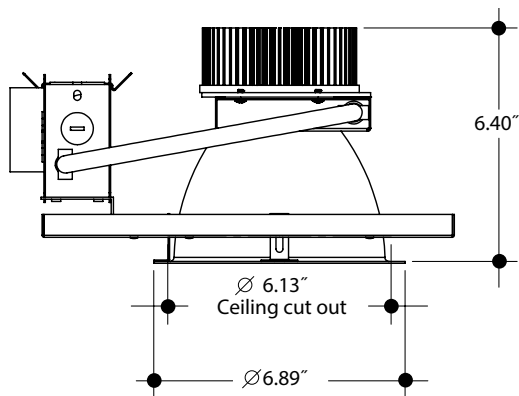
We reserve the right to change design, materials, LED's and finish in any way that will not alter installed appearance or reduce function and performance.

**DRAWINGS & IMAGES**

**Remodeler Kit Contents**



**Dimensions**



**PHOTOMETRICS**

**MEDIUM - MD 2035K**

**Model**

V60FCR-2035K-F6060-SCL

**Lumens**

1,921

**Watts**

25.8

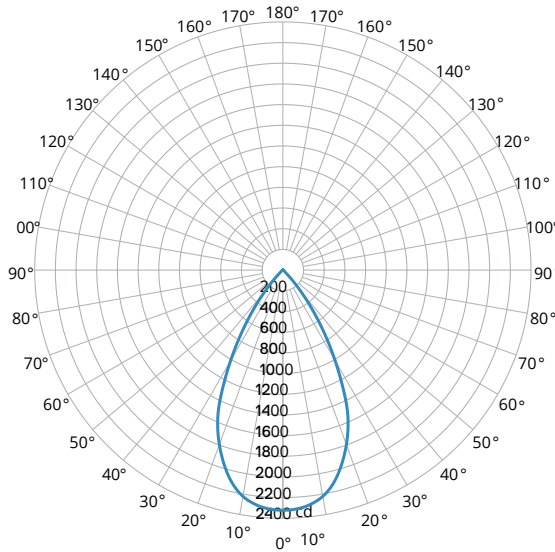
**Efficacy**

74.46

**SC**

0.89

**Candela Curve**



**Cone of Light**

Mounting Height AFF	FC at Center on Floor	Beam Diameter
8.0'	36 fc	8.6'
10.0'	23 fc	10.8'
12.0'	16 fc	12.9'
14.0'	12 fc	15.1'
16.0'	9 fc	17.2'
20.0'	6 fc	21.5'
24.0'	4 fc	25.8'
30.0'	3 fc	32.3'

**Candela Table**

0.00°	0.00°
0.00°	2,322
5.00°	2,302
10.00°	2,223
15.00°	2,050
20.00°	1,796
30.00°	1,010
40.00°	275
50.00°	25
60.00°	10
70.00°	5
80.00°	2
90.00°	0

**Zonal Lumen Summary**

Zone	Lumens	% Luminaire
0° - 30°	1,442	75%
0° - 40°	1,819	95%
0° - 60°	1,910	99%
60° - 90°	11	1%
0° - 20°	788	41%
20° - 50°	1,107	58%
50° - 70°	22	1%
70° - 90°	4	0%
0° - 90°	1,921	100%
90° - 180°	0	0%
<b>Total</b>	<b>1,921</b>	<b>100%</b>

**Spacing Criterion**

Height	Spacing	Light Level*
8 ft	7.1 ft	~ 36 fc
10 ft	8.9 ft	~ 23 fc
12 ft	10.7 ft	~ 16 fc
8 ft	5.3 ft	~ 65 fc
10 ft	6.7 ft	~ 41 fc
12 ft	8.0 ft	~ 29 fc
8 ft	3.6 ft	~ 145 fc
10 ft	4.5 ft	~ 93 fc
12 ft	5.3 ft	~ 65 fc

\* approximate direct light level at floor based on spacing criterion overlap

**MULTIPLIER**

CRI	Multiplier	Kelvin	Multiplier	Reflector Finish	Multiplier
80	1	2700K	0.939	SCL	1
90	0.81	3000K	0.975	SGC	0.95
		3500K	1	WHT	0.87
		4000K	1.035		
		5000K	1.098		