

Series RMD-V40FCR

4" Commercial Remodeler Kit

Commercial-grade 4 inch LED recessed, non-IC LED remodeler kit with medium beam spread, featuring superior thermal management and simple installation. Light engine features LED module and LED driver with outputs ranging from 1100 to 2000 lumens and color temperatures from 3000 to 4000oK. A wide selection of driver, reflector finishes and emergency battery back-up options available.

CONSTRUCTION

Self-contained LED/Driver module system provides low profile and easy installation from below ceiling. Universal friction clips provide robust retention of LED/Driver module and reflector system to pre-existing downlight housing.

OPTICS

Precision spun reflector. Reflectors available in Specular Clear, Soft Glow Clear and White Matte. Distribution is free of streaks, striations and hotpots. 60° Medium distribution or 45° Cutoff.

TYPICAL OPTIONS & ACCESSORIES

90CRI (not available in 5000K), 0-10V 1% dimming driver, Emergency battery backup options available. Contact factory for more details.

DIMENSIONS

See Page 4

FEATURES & BENEFITS

- 1100 - 2000 lumens
- 2700K - 5000K CCT
- 80 CRI with 3 SDCM color consistency
- Standard 0-10V 10% dimming driver; optional drivers available
- 120V - 277V Input Volts
- Minimum 50,000 hour lifetime at L70
- -20°C to 30°C Ambient Operating Temperature Range
- ETL certified to UL 1598 and UL8750 requirements
- Tested according to LM-79 and LM-80 standards
- Suitable for damp locations; Wet location under covered ceiling (per NEC 410 & UL 1598)
- Buy American Act (BAA)
- 5-year limited warranty on LED module and driver
- Insulation cannot be in direct contact with luminaire



ORDERING GUIDE

SERIES	VOLTAGE	LUMENS	KELVIN (CCT)	REFLECTOR	REFLECTOR FINISH ¹
RMD-V4OFCR 4" Round, Open Remodel Can	U 120-277V	11 1100	27K 2700K	F4060 ¹ Medium 60° Open Reflector	SCL Specular Clear
		15 1500	80K 8000K		F4019 ² Non-Conductive Shower Trim
		20 2000	30K 3000K	WHT White Matte	
			35K 3500K		
			40K 4000K		
			50K 5000K		

OPTIONS	
TDM	Triac (Forward Phase, 120V only) dimming driver
HCR	High CRI, 90+ minimum. Not available in 5000 Kelvin
PF	Polished Flange
REM	Emergency battery back-up. Remote test button & indicator light
GR-4-xx	4" Goof Ring (specify outer dimension in inches where 'xx' are.)

Note:

1. All trims supplied standard with white painted flange. See illustration 1.2
2. See illustration 1.1

We reserve the right to change design, materials, LED's and finish in any way that will not alter installed appearance or reduce function and performance.

ILLUSTRATION 1.1

Non-Conductive Shower Trim - F4019



ILLUSTRATION 1.2

Reflector Finishes



WHT
White Matte



SGC
Soft Glow Clear



SCL
Specular Clear

PERFORMANCE

Lumens

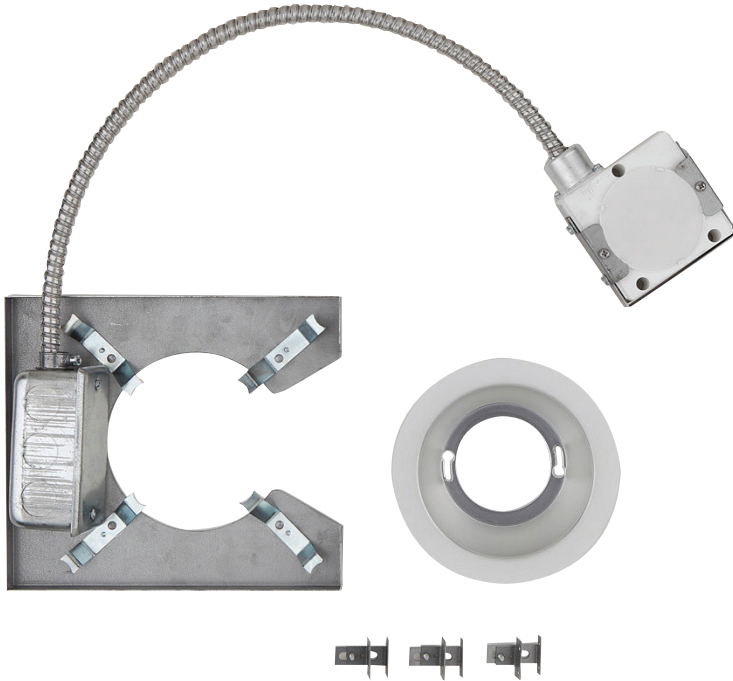
Lumens	Wattage*
1100	10.5
1500	15.1
2000	20.1

*All measured at 3000K
 Actual Wattage/Lumens may vary.

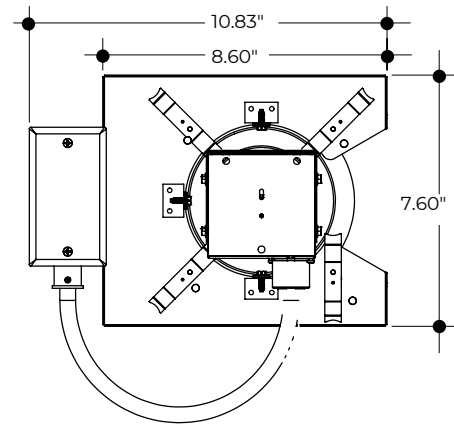
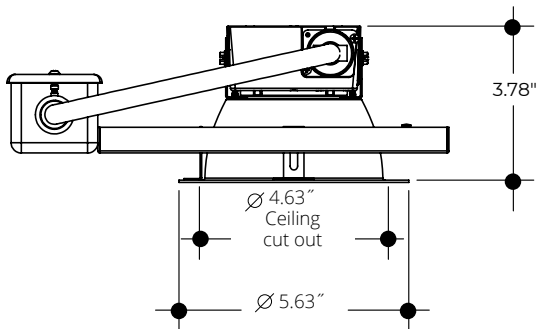
We reserve the right to change design, materials, LED's and finish in any way that will not alter installed appearance or reduce function and performance.

DRAWINGS & IMAGES

Remodeler Kit Contents

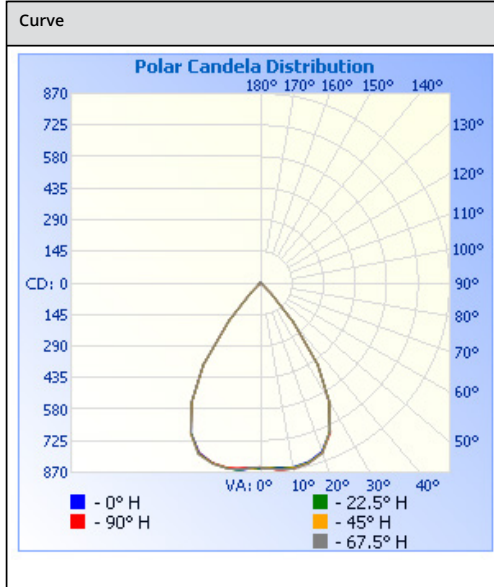


Dimensions



We reserve the right to change design, materials, LED's and finish in any way that will not alter installed appearance or reduce function and performance.

PHOTOMETRICS



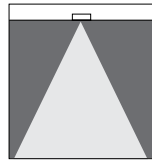
Test Number
PHM-RPT-180302-07

Model
RMD-V4OFCR1-1135K

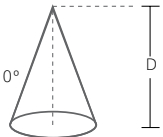
Lumens
1046.39

Efficacy
97.15

SC
0.9728



Cone of Light



	Center Beam fc		
1.7	293	2.3	2.4
3.3	77.8	4.5	4.7
5.0	33.9	6.8	7.1
6.7	18.9	9.1	9.6
8.3	12.3	11.3	11.9
10.0	8.47	13.6	14.3

Zonal Lumen Summary

Zone	Lumens	% Luminaire
0-30	663.2	63.4
0-40	936.6	89.5
0-60	1014.5	97
60-90	12.3	1.2
70-100	10.1	1
90-120	8.6	0.8
0-90	1026.8	98.1
90-180	19.6	1.9
0-180	1046.4	100

Candela Table

Degrees Vertical	Candela
0.0	847
1.0	846
3.0	848
5.0	853
7.0	856
9.0	858
10.0	859
15.0	850
20.0	823
25.0	753
30.0	630
40.0	232
45.0	71
50.0	14
55.0	9
60.0	7
65.0	5
70.0	4
75.0	4
80.0	3
85.0	3
90.0	3
95.0	3
100.0	3

MULTIPLIER

CRI	Multiplier	Kelvin	Multiplier	Reflector Finish	Multiplier
80	1	2700K	0.939	SCL	1
90	0.81	3000K	0.975	SGC	0.95
		3500K	1	WHT	0.87
		4000K	1.035		
		5000K	1.098		