



Texas Fluorescents
Reinvented

CATALOG#: _____
PROJECT: _____
TYPE: _____



Series RET-V80FCR

8" Round, Commercial Retrofit Kit

Commercial LED Retrofit kits are designed to update existing CFL, incandescent, halogen and HID downlights. Easy to install and reduce lighting energy and maintenance costs. Standard 0-10V 10% dimming driver; optional drivers available.

CONSTRUCTION

US cold-rolled steel housing. Minimal components above ceiling to fit into existing spaces. Key Slots secure reflector to LED light engine assembly. Reflector and LED assembly are securely held to ceiling with friction clips.

OPTICS

Precision spun reflector. Reflectors available in Specular Clear, Soft Glow Clear and White Matte. Distribution is free of streaks, striations and hotpots. 60° Medium distribution or 45° Cutoff.

TYPICAL OPTIONS & ACCESSORIES

90CRI (not available in 5000K), 0-10V 1% dimming driver, 0-10V 10% dimming driver, Triac dimming driver. Emergency battery backup options available. Contact factory for more details.

DIMENSIONS

See Page 4

FEATURES & BENEFITS

- 1100 - 5000 lumens
- 2700K - 5000K CCT
- 80 CRI with 3 SDCM color consistency (+90 CRI optional)
- Standard 0-10V 10% dimming driver; optional drivers available
- 120V - 277V Input Volts
- Minimum 50,000 hour lifetime at L70
- -20°C to 30°C Ambient Operating Temperature Range
- ETL certified to UL 1598 and UL8750 requirements
- Tested according to LM-79 and LM-80 standards
- Suitable for damp locations; Wet location under covered ceiling
- Buy American Act (BAA)
- 5-year limited warranty on LED module and driver
- Insulation cannot be in direct contact with luminaire





CATALOG#: _____
 PROJECT: _____
 TYPE: _____

Series RET-V80FCR

8" Round, Commercial Retrofit Kit

ORDERING GUIDE

SERIES	VOLTAGE	LUMENS		KELVIN (CCT)		REFLECTOR	REFLECTOR FINISH ¹	
RET-V80FCR	U 120-277V	11	1100	27K	2700K	F8060 60° Medium Open Reflector	SCL-R Specular Clear	
		15	1500		80 CRI		SGC-R Soft Glow Clear	
		20	2000	30K	3000K			
		30	3000		80 CRI			
		40	4000	35K	3500K			
		50	5000		80 CRI		WHT-R White Matte	
				40K	4000K			
					80 CRI			
				50K	5000K			
					80 CRI			

OPTIONS

- TDM** Triac (Forward Phase, 120V only) dimming driver
- HCR** High CRI, 90+ minimum. Not available in 5000 Kelvin
- PF** Polished Flange
- REM** Emergency battery back-up. Remote test button & indicator light

Note:
 1. All trims supplied standard with white painted flange. See illustration 1.1

We reserve the right to change design, materials, LED's and finish in any way that will not alter installed appearance or reduce function and performance.

ILLUSTRATION 1.1

Reflector Finishes



WHT
 White Matte



SGC
 Soft Glow Clear



SCL
 Specular Clear

PERFORMANCE

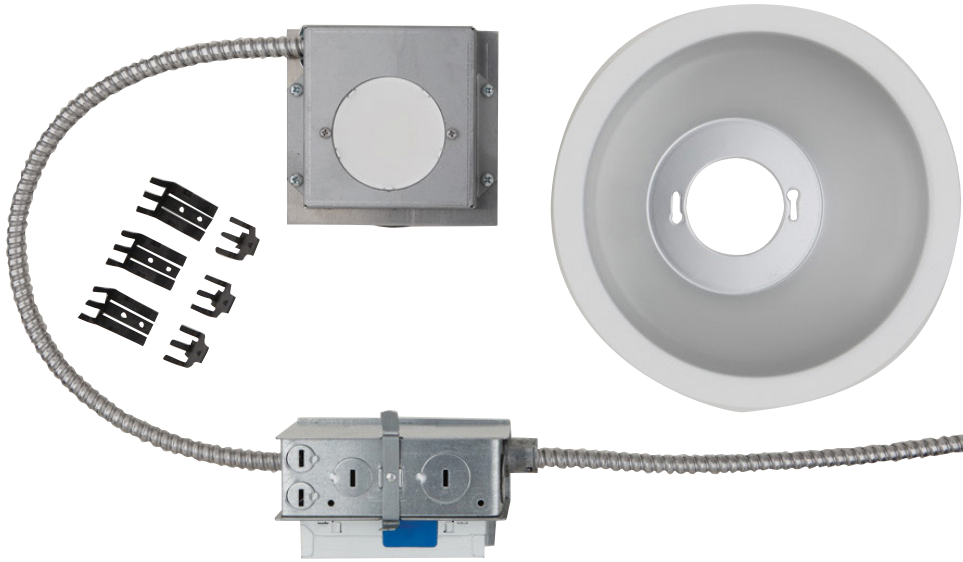
Lumens

Nominal Lumens	Delivered Lumens	Wattage	Lumens Per Watt
1100	990	15.4	64.29
1500	1350	21.6	62.5
2000	1800	27.2	63.13
3000	2700	35.8	75.42
4000	3600	45.6	78.95
5000	4113	58.5	63.13
All measured at 3500K with a standard medium distribution *Actual Wattage/Lumens may vary.			

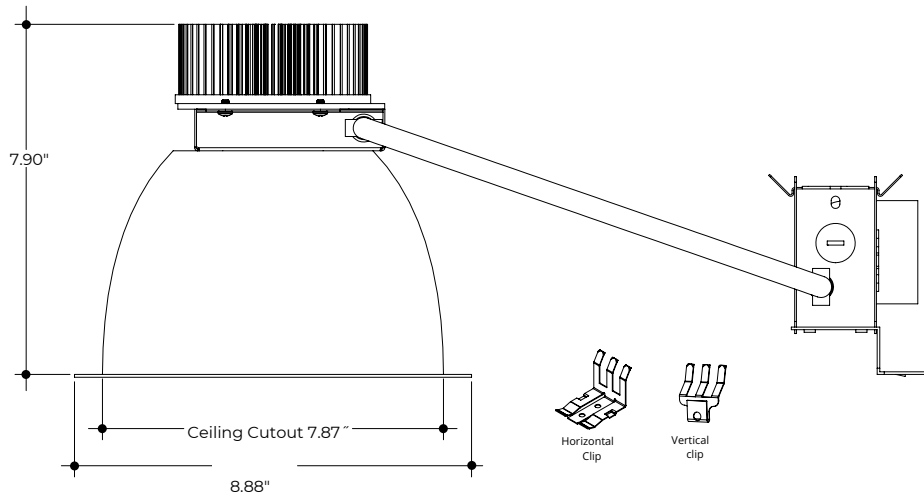
We reserve the right to change design, materials, LED's and finish in any way that will not alter installed appearance or reduce function and performance.

DRAWINGS & IMAGES

Retrofit Kit Contents



Dimensions



PHOTOMETRICS

Model

RET-V80FCR-2035K-F8060-SCL

Lumens

1800

Watts

27.2

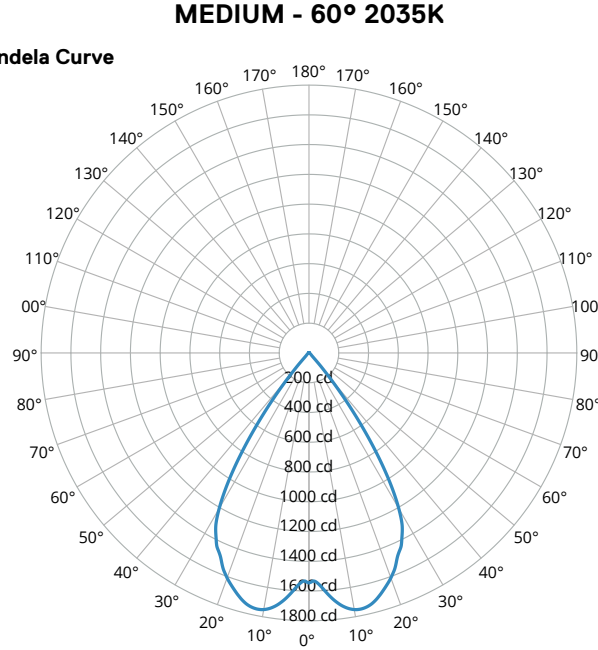
Efficacy

66.18

SC

1.15

Candela Curve



MEDIUM - 60° 2035K

Cone of Light

Mounting Height AFF	FC at Center on Floor	Beam Diameter
8.0'	24 fc	10.6'
10.0'	15 fc	13.2'
12.0'	11 fc	15.8'
14.0'	8 fc	18.5'
16.0'	6 fc	21.1'
20.0'	4 fc	26.4'
24.0'	3 fc	31.7'
30.0'	2 fc	39.6'

Candela Table

Angle	Candela
0.00°	1,545
5.00°	1,644
10.00°	1,751
15.00°	1,723
20.00°	1,609
30.00°	1,207
40.00°	212
50.00°	19
60.00°	9
70.00°	5
80.00°	2
90.00°	0

Zonal Lumen Summary

Zone	Lumens	% Luminaire
0° - 30°	1,303	72%
0° - 40°	1,732	96%
0° - 60°	1,789	99%
60° - 90°	11	1%
0° - 20°	643	36%
20° - 50°	1,135	63%
50° - 70°	19	1%
70° - 90°	4	0%
0° - 90°	1,800	100%
90° - 180°	0	0%
Total	1,800	100%

Spacing Criterion

Height	Spacing	Light Level*
8 ft	9.2 ft	~ 24 fc
10 ft	11.5 ft	~ 15 fc
12 ft	13.8 ft	~ 11 fc
8 ft	6.9 ft	~ 43 fc
10 ft	8.6 ft	~ 27 fc
12 ft	10.3 ft	~ 19 fc
8 ft	4.6 ft	~ 97 fc
10 ft	5.8 ft	~ 62 fc
12 ft	6.9 ft	~ 43 fc

* approximate direct light level at floor based on spacing criterion overlap

MULTIPLIER

CRI	Multiplier	Kelvin	Multiplier	Reflector Finish	Multiplier
80	1	2700K	0.939	SCL	1
90	0.81	3000K	0.975	SGC	0.95
		3500K	1	WHT	0.87
		4000K	1.035		
		5000K	1.098		