



Texas Fluorescents
Reinvented

CATALOG#: _____
PROJECT: _____
TYPE: _____



Series RET-V60FCR

6" Round, Commercial Retrofit Kit

Commercial LED Retrofit kits are designed to update existing CFL, incandescent, halogen and HID downlights. Easy to install and reduce lighting energy and maintenance costs. Standard 0-10V 10% dimming driver; optional drivers available.

CONSTRUCTION

US cold-rolled steel housing. Minimal components above ceiling to fit into existing spaces. Key Slots secure reflector to LED light engine assembly. Reflector and LED assembly are securely held to ceiling with friction clips.

OPTICS

Precision spun reflector. Reflectors available in Specular Clear, Soft Glow Clear and White Matte. Distribution is free of streaks, striations and hotspots. 60° Medium distribution or 45° Cutoff.

TYPICAL OPTIONS & ACCESSORIES

90CRI (not available in 5000K), 0-10V 1% dimming driver, 0-10V 10% dimming driver, Triac dimming driver. Emergency battery backup options available. Contact factory for more details.

DIMENSIONS

See Page 4

FEATURES & BENEFITS

- 1100 - 5000 lumens
- 2700K - 5000K CCT
- 80 CRI with 3 SDCM color consistency (+90 CRI optional)
- Standard 0-10V 10% dimming driver; optional drivers available
- 120V - 277V Input Volts
- Minimum 50,000 hour lifetime at L70
- -20°C to 30°C Ambient Operating Temperature Range
- ETL certified to UL 1598 and UL8750 requirements
- Tested according to LM-79 and LM-80 standards
- Suitable for damp locations; Wet location under covered ceiling
- Buy American Act (BAA)
- 5-year limited warranty on LED module and driver
- Insulation cannot be in direct contact with luminaire



Series RET-V6OFCR

6" Round, Commercial
Retrofit Kit

ORDERING GUIDE

SERIES	VOLTAGE	LUMENS		KELVIN (CCT)		REFLECTOR		REFLECTOR FINISH ¹	
RET-V6OFCR	U 120-277V	11	1100	27K	2700K	F6060 ¹	60° Medium Open Reflector	SCL-R	Specular Clear
		15	1500		80 CRI				
		20	2000	30K	3000K	F6019 ²	Non-Conductive Shower Trim	SGC-R	Soft Glow Clear
		30	3000		80 CRI				
		40	4000	35K	3500K				
		50	5000		80 CRI				
				40K	4000K				
					80 CRI				
				50K	5000K				
					80 CRI				
								WHT-R	White Matte

OPTIONS

TDM	Triac (Forward Phase, 120V only) dimming driver
HCR	High CRI, 90+ minimum. Not available in 5000 Kelvin
PF	Polished Flange
REM	Emergency battery back-up. Remote test button & indicator light

Note:
 1. All trims supplied standard with white painted flange. See illustration 1.2
 2. See illustration 1.1

We reserve the right to change design, materials, LED's and finish in any way that will not alter installed appearance or reduce function and performance.

ILLUSTRATION 1.1

Non-Conductive Shower Trim - F6019



ILLUSTRATION 1.2

Reflector Finishes



WHT
White Matte



SGC
Soft Glow Clear



SCL
Specular Clear

PERFORMANCE

Lumens

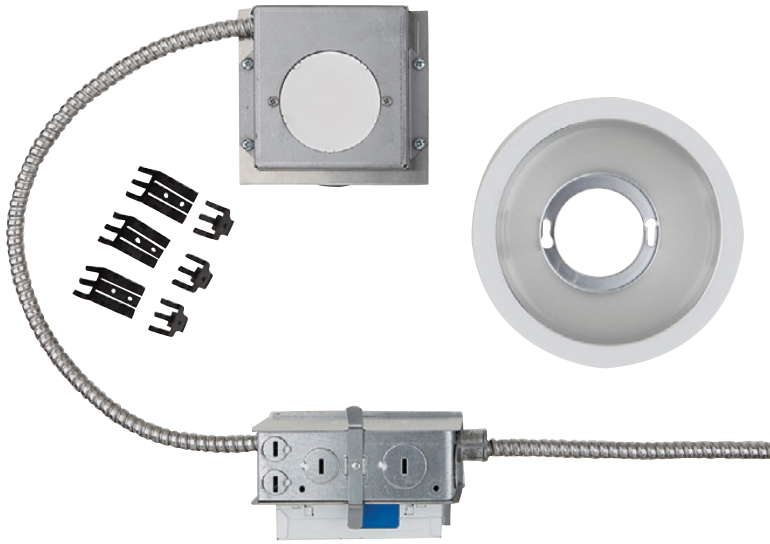
Nominal Lumens	Delivered Lumens	Wattage	Lumens Per Watt
1100	1057	15.4	68.64
1500	1441	21.6	66.71
2000	1921	25.8	74.46
3000	2876	33.39	86.13
4000	3592	45.6	78.77
5000	4491	58.3	77.03

All measured at 3500K with a standard medium distribution
 *Actual Wattage/Lumens may vary.

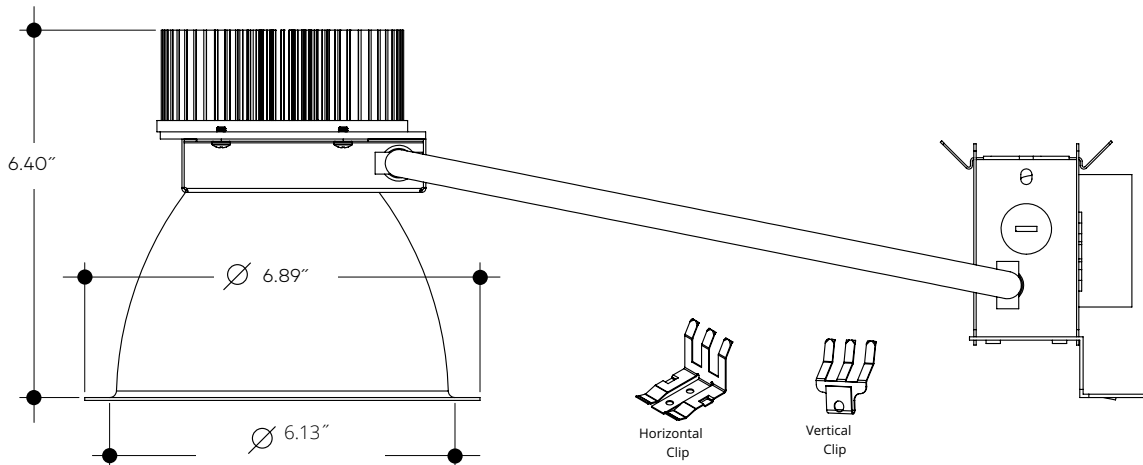
We reserve the right to change design, materials, LED's and finish in any way that will not alter installed appearance or reduce function and performance.

DRAWINGS & IMAGES

Retrofit Kit Contents



Dimensions



PHOTOMETRICS

MEDIUM - MD 2035K

Model

V60FCR-2035K-F6060-SCL

Lumens

1,921

Watts

25.8

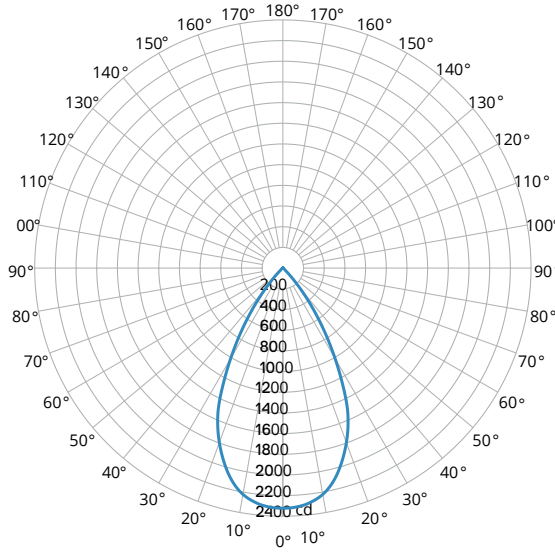
Efficacy

74.46

SC

0.89

Candela Curve



Cone of Light

Mounting Height AFF	FC at Center on Floor	Beam Diameter
8.0'	36 fc	8.6'
10.0'	23 fc	10.8'
12.0'	16 fc	12.9'
14.0'	12 fc	15.1'
16.0'	9 fc	17.2'
20.0'	6 fc	21.5'
24.0'	4 fc	25.8'
30.0'	3 fc	32.3'

Candela Table

Angle	Candela
0.00°	2,322
5.00°	2,302
10.00°	2,223
15.00°	2,050
20.00°	1,796
30.00°	1,010
40.00°	275
50.00°	25
60.00°	10
70.00°	5
80.00°	2
90.00°	0

Zonal Lumen Summary

Zone	Lumens	% Luminaire
0° - 30°	1,442	75%
0° - 40°	1,819	95%
0° - 60°	1,910	99%
60° - 90°	11	1%
0° - 20°	788	41%
20° - 50°	1,107	58%
50° - 70°	22	1%
70° - 90°	4	0%
0° - 90°	1,921	100%
90° - 180°	0	0%
Total	1,921	100%

Spacing Criterion

Height	Spacing	Light Level*
8 ft	7.1 ft	~ 36 fc
10 ft	8.9 ft	~ 23 fc
12 ft	10.7 ft	~ 16 fc
8 ft	5.3 ft	~ 65 fc
10 ft	6.7 ft	~ 41 fc
12 ft	8.0 ft	~ 29 fc
8 ft	3.6 ft	~ 145 fc
10 ft	4.5 ft	~ 93 fc
12 ft	5.3 ft	~ 65 fc

* approximate direct light level at floor based on spacing criterion overlap

MULTIPLIER

CRI	Multiplier	Kelvin	Multiplier	Reflector Finish	Multiplier
80	1	2700K	0.939	SCL	1
90	0.81	3000K	0.975	SGC	0.95
		3500K	1	WHT	0.87
		4000K	1.035		
		5000K	1.098		