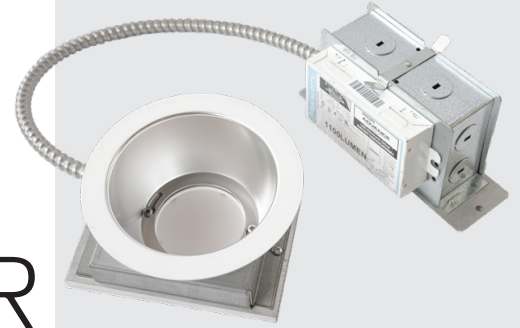




Texas Fluorescents
Reinvented

CATALOG#: _____
PROJECT: _____
TYPE: _____



Series RET-V40FCR

4" Round, Retrofit Commercial

Commercial LED Retrofit kits are designed to update existing CFL, incandescent, halogen and HID downlights. Easy to install and reduce lighting energy and maintenance costs. Standard 0-10V 10% dimming driver; optional drivers available.

CONSTRUCTION

Galvanized steel housing. Minimal components above ceiling to fit into existing spaces. Key Slots secure reflector to LED light engine assembly. Reflector and LED assembly are securely held to ceiling with friction clips.

OPTICS

Precision spun reflector. Reflectors available in Specular Clear, Soft Glow Clear and White Matte. Distribution is free of streaks, striations and hotspots. 60° Medium distribution or 45° Cutoff.

TYPICAL OPTIONS & ACCESSORIES

90CRI (not available in 5000K), 0-10V 1% dimming driver, 0-10V 10% dimming driver, Triac dimming driver. Emergency battery backup options available. Contact factory for more details.

DIMENSIONS

See Page 4

FEATURES & BENEFITS

- 1100 - 2000 lumens
- 2700K - 5000K CCT
- 80 CRI with 3 SDCM color consistency (+90 CRI optional)
- Standard 0-10V 10% dimming driver; optional drivers available
- 120V - 277V Input Volts
- Minimum 50,000 hour lifetime at L70
- -20°C to 30°C Ambient Operating Temperature Range
- ETL certified to UL 1598 and UL8750 requirements
- Tested according to LM-79 and LM-80 standards
- Suitable for damp locations; Wet location under covered ceiling (per NEC 410 & UL 1598)
- Buy American Act (BAA)
- 5-year limited warranty on LED module and driver
- Insulation cannot be in direct contact with luminaire



ORDERING GUIDE

SERIES	VOLTAGE	LUMENS	KELVIN (CCT)	REFLECTOR	REFLECTOR FINISH ¹
RET-V40FCR	U 120-277V	11 1100	27K 2700K 80 CRI	F4060 ¹ Medium 60° Open Reflector	SCL-R Specular Clear
		15 1500	30K 3000K 80 CRI	F4019 ² Non-Conductive Shower Trim	SGC-R Soft Glow Clear
		20 2000	35K 3500K 80 CRI		WHT-R White Matte
		40K 4000K 80 CRI			
		50K 5000K 80 CRI			

OPTIONS

TDM	Triac (Forward Phase, 120V only) dimming driver
HCR	High CRI, 90+ minimum. Not available in 5000 Kelvin
PF	Polished Flange
REM	Emergency battery back-up. Remote test button & indicator light

Note:
 1. All trims supplied standard with white painted flange. See illustration 1.2
 2. See illustration 1.1

We reserve the right to change design, materials, LED's and finish in any way that will not alter installed appearance or reduce function and performance.

ILLUSTRATION 1.1

Non-Conductive Shower Trim - F4019



ILLUSTRATION 1.2

Reflector Finishes



WHT
 White Matte



SGC
 Soft Glow Clear



SCL
 Specular Clear

PERFORMANCE

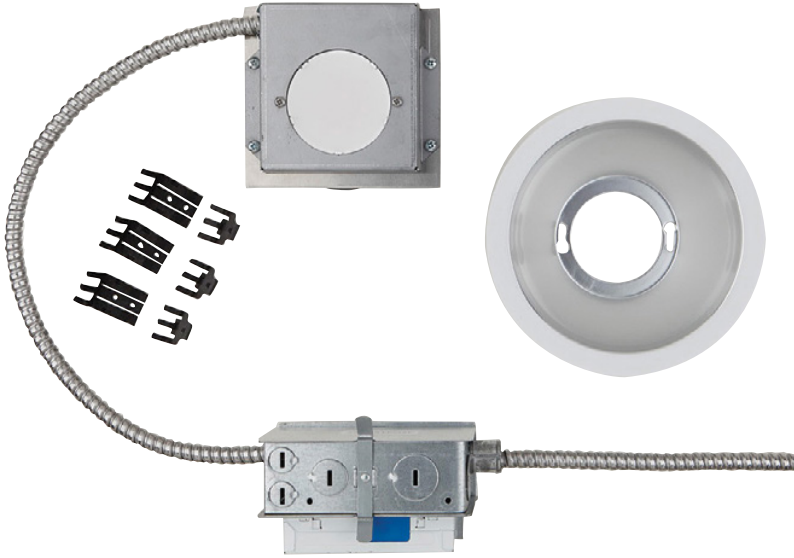
Lumens

Nominal Lumens	Delivered Lumens	Wattage	Lumens Per Watt
1100	1176	15.4	76.36
1500	1604	20.5	78.24
2000	2260	25.3	89.33
All measured at 3500K with a standard medium distribution *Actual Wattage/Lumens may vary.			

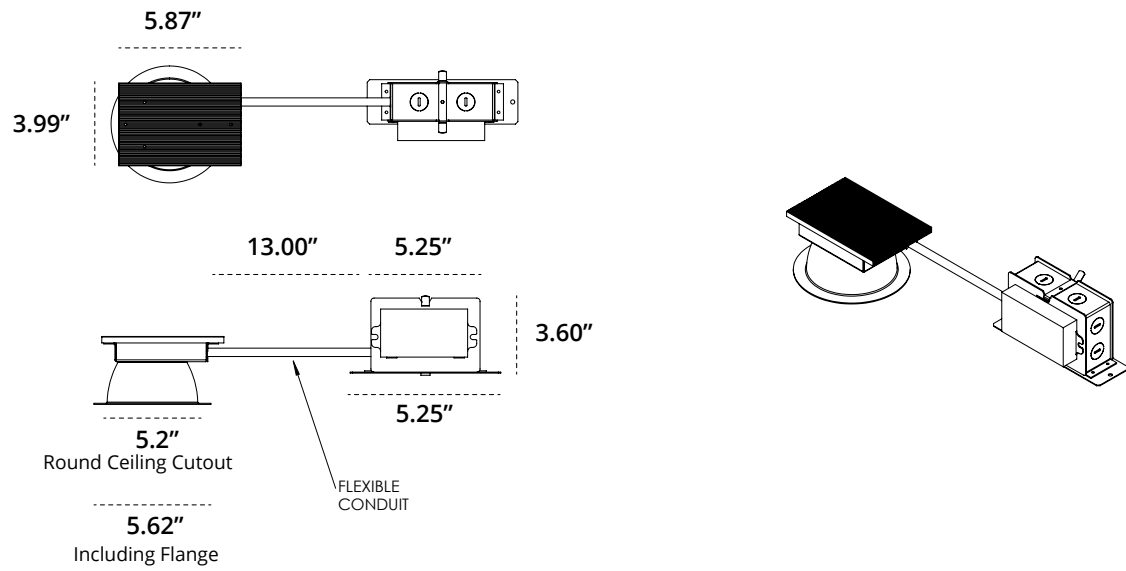
We reserve the right to change design, materials, LED's and finish in any way that will not alter installed appearance or reduce function and performance.

DRAWINGS & IMAGES

Retrofit Kit Contents



Dimensions



PHOTOMETRICS

MEDIUM - 60° 2035K

Model

V4OFCR-2035K-F4060-SCL

Lumens

2,260

Watts

25.3

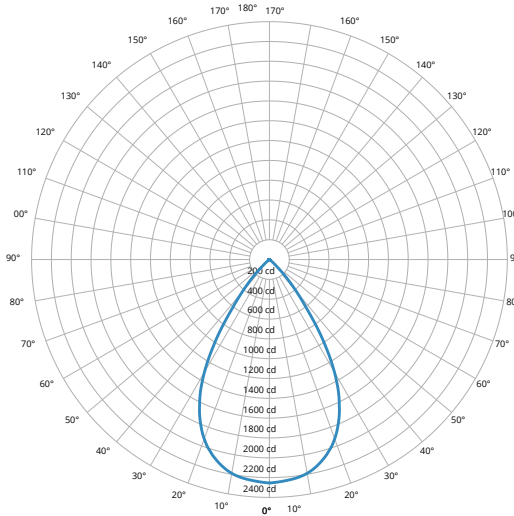
Efficacy

89.33

SC

0.99

Candela Curve



Cone of Light

Mounting Height AFF	FC at Center on Floor	Beam Diameter
8.0'	35 fc	10.0'
10.0'	23 fc	12.5'
12.0'	16 fc	15.0'
14.0'	12 fc	17.5'
16.0'	9 fc	20.0'
20.0'	6 fc	24.9'
24.0'	4 fc	29.9'
30.0'	3 fc	37.4'

Candela Table

0.00°	2,254
5.00°	2,233
15.00°	2,088
90.00°	0

Zonal Lumen Summary

Zone	Lumens	% Luminaire
0° - 30°	1,556	69%
0° - 40°	2,084	93%
0° - 60°	2,238	99%
60° - 90°	22	1%
0° - 20°	800	36%
20° - 50°	1,477	66%
50° - 70°	45	2%
70° - 90°	9	0%
0° - 90°	2,253	100%
90° - 180°	0	0%
Total	2,253	100%

Spacing Criterion

Height	Spacing	Light Level*
8 ft	7.9 ft	~ 35 fc
10 ft	9.9 ft	~ 23 fc
12 ft	11.9 ft	~ 16 fc
8 ft	5.9 ft	~ 63 fc
10 ft	7.4 ft	~ 40 fc
12 ft	8.9 ft	~ 28 fc
8 ft	4.0 ft	~ 141 fc
10 ft	5.0 ft	~ 90 fc
12 ft	5.9 ft	~ 63 fc

* approximate direct light level at floor based on spacing criterion overlap

MULTIPLIER

CRI	Multiplier	Kelvin	Multiplier	Reflector Finish	Multiplier
80	1	2700K	0.939	SCL	1
90	0.81	3000K	0.975	SGC	0.95
		3500K	1	WHT	0.87
		4000K	1.035		
		5000K	1.098		