



Texas Fluorescents
Reinvented

CATALOG#: _____
PROJECT: _____
TYPE: _____

Series RET-V100FCR

10" Round, Commercial Retrofit Kit

Commercial-grade 10 inch LED recessed, non-IC LED retrofit kit with medium beam spread, featuring superior thermal management and simple installation. Light engine features LED module and LED driver with outputs ranging from 1100 to 2000 lumens and color temperatures from 3000K to 4000K. Multiple reflector finishes and emergency battery back-up options available.

CONSTRUCTION

Self-contained LED/Driver module system provides low profile and easy installation from below ceiling. Universal friction clips provide robust retention of LED/Driver module and reflector system to pre-existing downlight housing.

OPTICS

Precision spun reflector. Reflectors available in Specular Clear, Soft Glow Clear and White Matte. Distribution is free of streaks, striations and hotspots. 60° Medium distribution.

TYPICAL OPTIONS & ACCESSORIES

Emergency battery backup options available. Contact factory for more details.



DIMENSIONS

See Page 3

FEATURES & BENEFITS

- 1100 - 2000 lumens
- 3000K - 4000K CCT
- 80 CRI with 3 SDCM color consistency
- 120V Input Volts
- Minimum 50,000 hour lifetime at L70
- Non-IC rated.
- ETL certified to UL 1598 and UL8750 requirements
- Tested according to LM-79 and LM-80 standards
- Suitable for damp locations; Wet location under covered ceiling
- Buy American Act (BAA)
- 5-year limited warranty on LED module and driver
- Insulation cannot be in direct contact with luminaire





CATALOG#: _____
 PROJECT: _____
 TYPE: _____

Series RET-V100FCR

10" Round, Commercial Retrofit Kit

ORDERING GUIDE

SERIES	VOLTAGE	LUMENS	KELVIN (CCT)	REFLECTOR	REFLECTOR FINISH ¹
RET-V100FCR	1 ² 120V	11 1100	30K 3000K 80 CRI	F1060 Medium Distribution	SCL Specular Clear
		15 1500	35K 3500K 80 CRI		SGC Soft Glow Clear
		20 2000	40K 4000K 80 CRI		WHT White Matte

OPTIONS

- GR-10-xx** 10" Goof Ring (specify outer dimension in inches where 'xx' are.)
- L3DA** Lutron Hi-Lume 1% 3-wire dimming driver
- REM** Emergency battery back-up. Remote test button & indicator light

Note:
 1. All trims supplied standard with white painted flange. See illustration 1.1.
 2. For 277V see Gen V Retrofit and Remodelers.

We reserve the right to change design, materials, LED's and finish in any way that will not alter installed appearance or reduce function and performance.

ILLUSTRATION 1.1

Reflector Finishes



WHT
White Matte



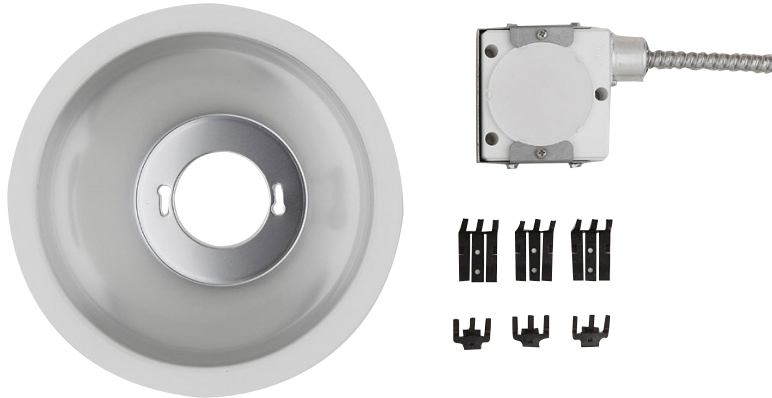
SGC
Soft Glow Clear



SCL
Specular Clear

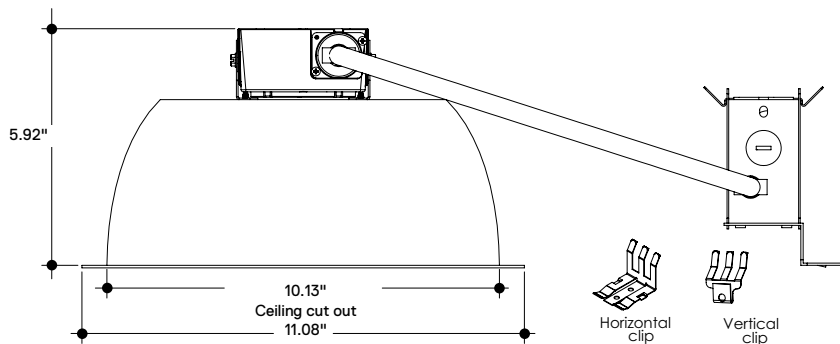
DRAWINGS & IMAGES

Retrofit Kit Contents



DIMENSIONS

- Ceiling Cut Out 10.13"



PERFORMANCE

Lumens

Lumens	Wattage*
1100	10.5
1500	15.1
2000	20.1

*All measured at 3000K
 Actual Wattage/Lumens may vary.

We reserve the right to change design, materials, LED's and finish in any way that will not alter installed appearance or reduce function and performance.



Texas Fluorescents
Reinvented

CATALOG#: _____
PROJECT: _____
TYPE: _____

Series RET-V100FCR 10" Round, Commercial Retrofit Kit

PHOTOMETRICS

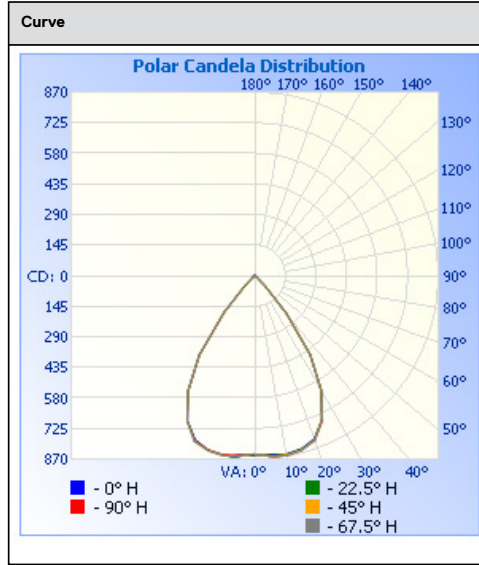
Test Number
PHM-RPT-180302-07

Model
RET-V100FCR1-1135K

Lumens
1046.39

Efficacy
97.15

SC
0.9728



Candela Table	
Degrees Vertical	Candela
0.0	847
1.0	846
3.0	848
5.0	853
7.0	856
9.0	858
10.0	859
15.0	850
20.0	823
25.0	753
30.0	630
40.0	232
45.0	71
50.0	14
55.0	9
60.0	7
65.0	5
70.0	4
75.0	4
80.0	3
85.0	3
90.0	3
95.0	3
100.0	3

Cone of Light

	Center Beam fc		
1.7	293	2.3	2.4
3.3	77.8	4.5	4.7
5.0	33.9	6.8	7.1
6.7	18.9	9.1	9.6
8.3	12.3	11.3	11.9
10.0	8.47	13.6	14.3

Zonal Lumen Summary

Zone	Lumens	% Luminaire
0-30	663.2	63.4
0-40	936.6	89.5
0-60	1014.5	97
60-90	12.3	1.2
70-100	10.1	1
90-120	8.6	0.8
0-90	1026.8	98.1
90-180	19.6	1.9
0-180	1046.4	100

MULTIPLIERS

CRI	MULTIPLIER
80	1

KELVIN	MULTIPLIER
4000K	1.035
3500K	1
3000K	0.975

FINISH	MULTIPLIER
SCL	1
SGC	0.95
WHT	0.87