



Texas Fluorescents
Reinvented

CATALOG#: _____
PROJECT: _____
TYPE: _____

Series L34RR/RPF

LED Recessed Mount Linear Fixture

Full body micro silhouette makes a bold statement with a minimal design in post-painted in powder coated flat white polyester finish (consult factory for other finishes). Scaled to the LED module the matte white diffuser surrounds the LEDs for soft lighting. Fixture can be recessed mounted on grid ceiling or pendant mounted with specially engineering cable mounting kit. See pendant specification sheet for details.

CONSTRUCTION

Die-formed and welded 22-gauge cold rolled steel. Easy to install. Fixtures are designed for individually or in continuous runs.

DIFFUSERS

Special LED formulated frosted lenses with snap in feature for easy access.

TYPICAL OPTIONS & ACCESSORIES

Cord sets, whips, occupancy sensors, etc. Contact factory for more details.



DIMENSIONS

- 2ft.-24"L x 2.375"W x 3.25"H
- 4ft.-48"L x 2.375"W x 3.25"H
- 6ft.-72"L x 2.375"W x 3.25"H
- 8ft.-96"L x 2.375"W x 3.25"H

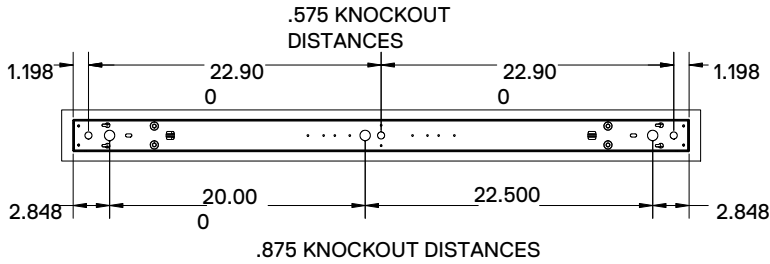
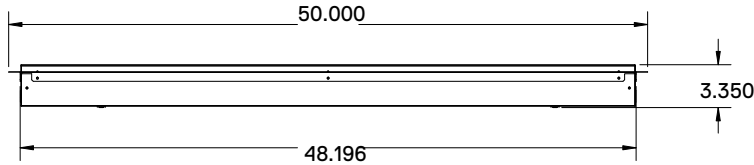
FEATURES & BENEFITS

- Can be recessed mounted to the sheet rock, dry wall ceilings, etc
- Attractive source of direct lighting for any indoor applications
- Integral driver, snap-fit lens
- Easy installation
- Available in custom finish. Consult factory for details.
- 50,000 hrs of L70 LED life
- CRI >80
- 0-10 Volt dimmable 120-277V or Triac/ELV dimming at 120V
- Power factor 0.99
- IC rated for dry or damp location
- 5 year warranty

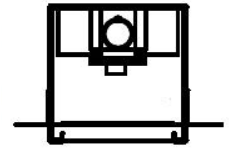


DRAWINGS AND DIMENSIONS

4 ft. - Back View

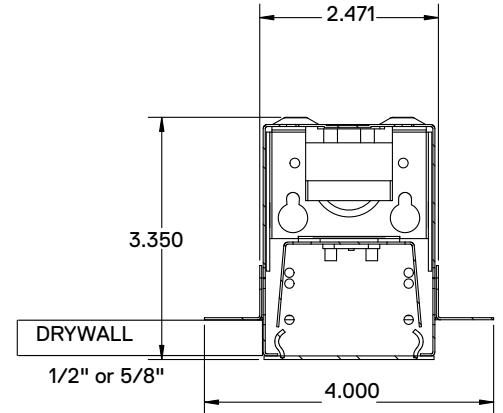


Type RR
**Recess for Drywall/
Hard Ceiling**
-RR (1/2 inch)
-RR650 (5/8 inch)
-RRxxx (custom depth)

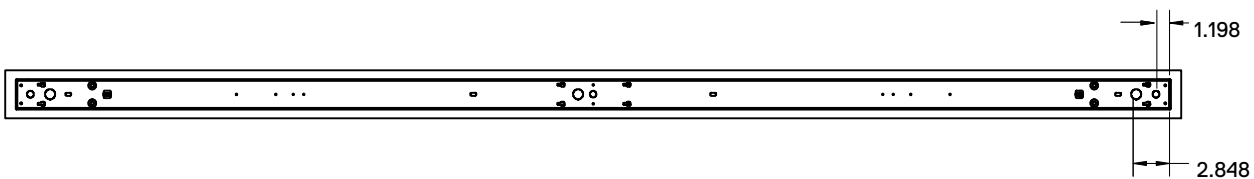
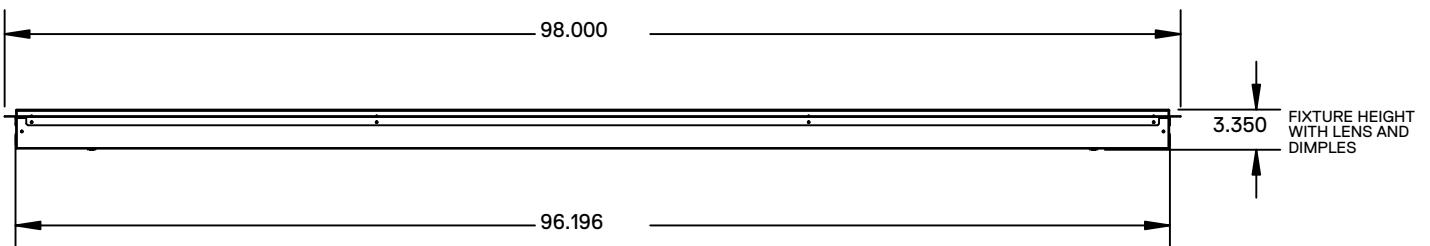


**Flangeless
Appearance**

END VIEW



8 ft. - Back View

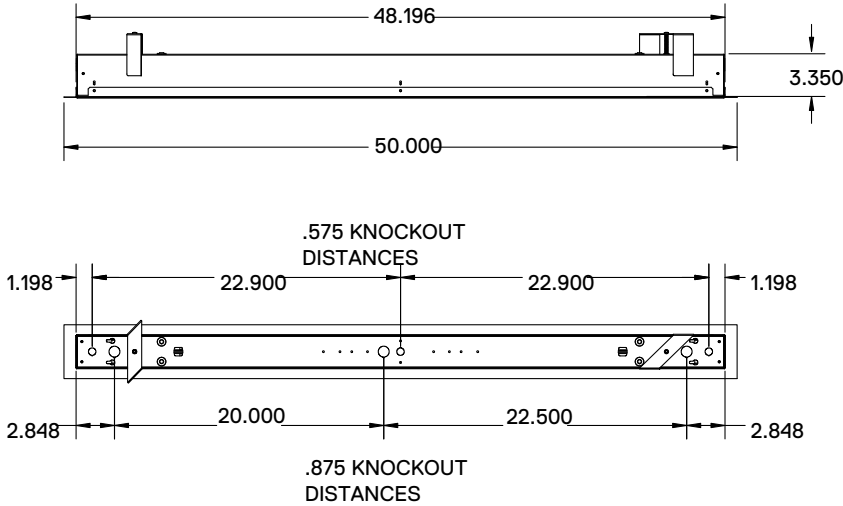


We reserve the right to change design, materials, LED's and finish in any way that will not alter installed appearance or reduce function and performance.

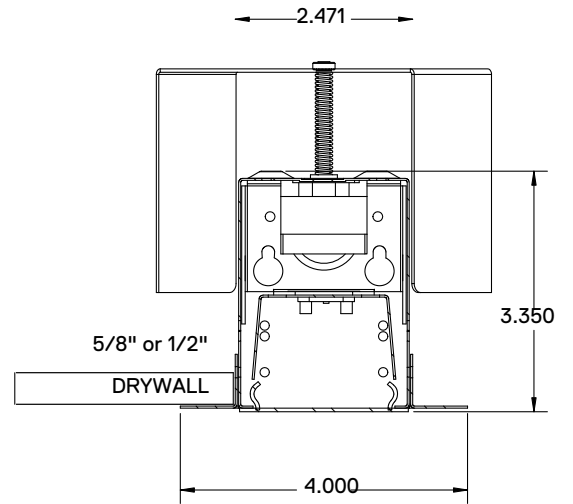
L34RPF

DRAWINGS AND DIMENSIONS

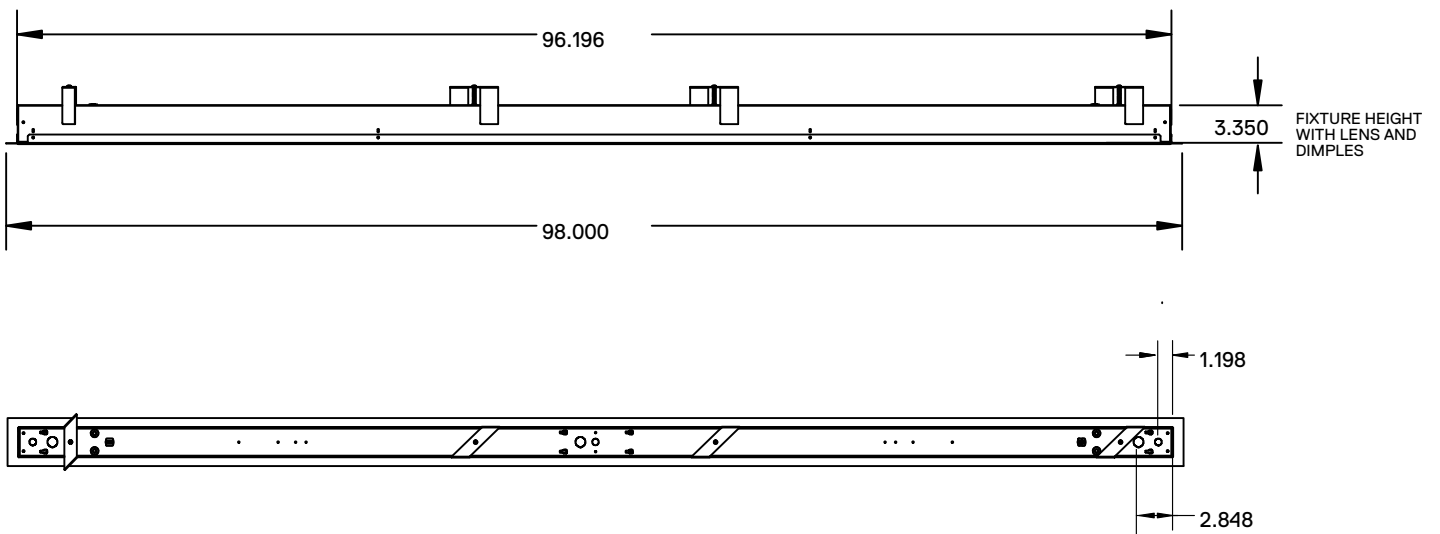
4 ft. - Back View



END VIEW



8 ft. - Back View



We reserve the right to change design, materials, LED's and finish in any way that will not alter installed appearance or reduce function and performance.

ORDERING INFORMATION

SERIES	LENS MATERIAL	SIZE	WATTAGE & LUMENS ¹	DRIVER	CRI	CCT
L34RR² 1/2" Recess Flanged For Before Drywall Flangeless Appearance	SF Snap in Frosted Lens	24L 24"	K13W 13 Watts 1300 Lumens	DMV 0-10V Dimming G120 ELV/Triac dimming at 120V only D1MV 0-10V Dimming (only available with SS sensor) DMV(xx) 0-10V Dimming (dim to 1%) (xx) for percentage of light output when not occupied. (required for SV sensor)	Blank 80CRI 9 90CRI	30K 3000K
			K19W 19 Watts 1900 Lumens			35K 3500K
			K23W 23 Watts 2300 Lumens			40K 4000K 50K 5000K
L34RPF² Perforated Flange for mudding over existing Drywall installation	SF Snap in Frosted Lens	48L 48"	K26W 26 Watts 2600 Lumens			
			K38W 38 Watts 3800 Lumens			
			K45W 45 Watts 4500 Lumens			
		72L 72"	K39W 39 Watts 3900 Lumens			
			K57W 57 Watts 5700 Lumens			
			K69W 69 Watts 6900 Lumens			
		96L 96"	K52W 52 Watts 5200 Lumens			
			K76W 76 Watts 7600 Lumens			
			K90W 90 Watts 9000 Lumens			

FINISH		CONFIGURATION	
WH	White	Blank	Individual
BK	Black	-B	Beginner Run
SI	Silver	-E	Ender Run
		-J	Joiner

Note:

¹Programmable LED drivers allow custom configured wattages and corresponding lumens.

²See drawings for details.

We reserve the right to change design, materials, LED's and finish in any way that will not alter installed appearance or reduce function and performance.