



Texas Fluorescents  
Reinvented

CATALOG#: \_\_\_\_\_  
PROJECT: \_\_\_\_\_  
TYPE: \_\_\_\_\_



# Series L34R

## LED Recessed Mount Linear Fixture

Full body micro silhouette makes a bold statement with a minimal design in post-painted in powder coated flat white polyester finish (consult factory for other finishes). Scaled to the LED module the matte white diffuser surrounds the LEDs for soft lighting. Fixture can be recessed mounted on grid ceiling or pendant mounted with specially engineering cable mounting kit. See pendant specification sheet for details.

### CONSTRUCTION

Die-formed and welded 22-gauge cold rolled steel. Easy to install. Fixtures are designed for individually or in continuous runs.

### DIFFUSERS

Special LED formulated frosted lenses with snap in feature for easy access.

### TYPICAL OPTIONS & ACCESSORIES

Cord sets, whips, occupancy sensors, etc. Contact factory for more details.

### DIMENSIONS

- 2ft.-24"L x 2.375"W x 3.25"H
- 4ft.-48"L x 2.375"W x 3.25"H
- 8ft.-96"L x 2.375"W x 3.25"H

### FEATURES & BENEFITS

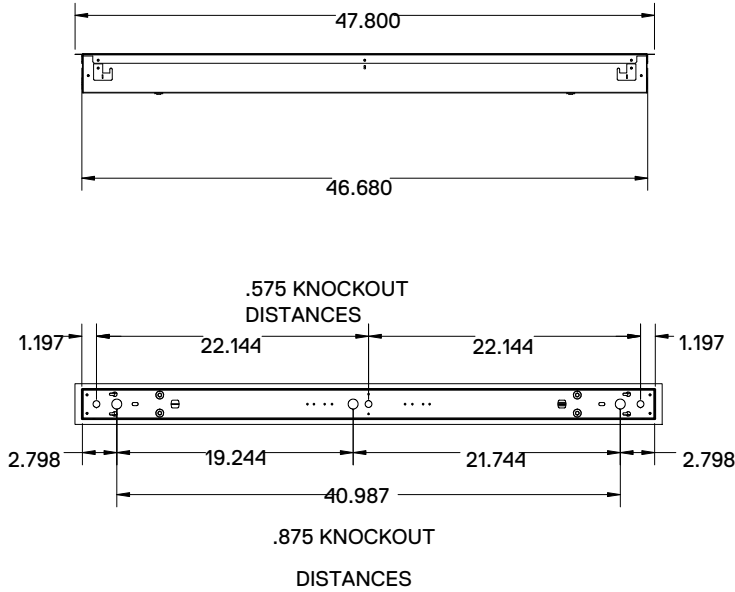
- Can be recessed mounted to the T-grid ceilings
- Attractive source of direct lighting for any indoor applications
- Integral driver, snap-fit lens
- Easy installation
- Available in custom finish. Consult factory for details.
- 50,000 hrs of L70 LED life
- CRI >80
- 0-10 Volt dimmable 120-277V or Triac/ELV dimming at 120V
- Power factor 0.99
- IC rated for dry or damp location
- 5 year warranty



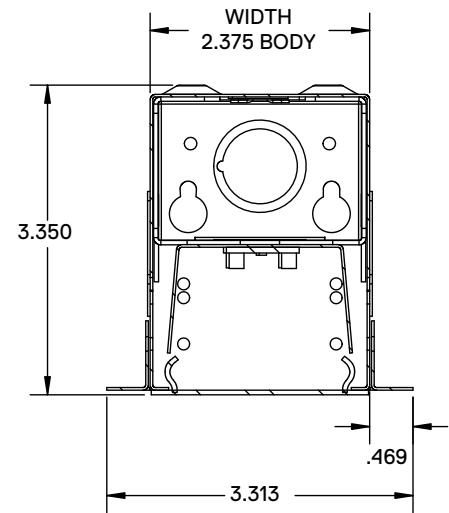
# L34R

## DRAWINGS AND DIMENSIONS

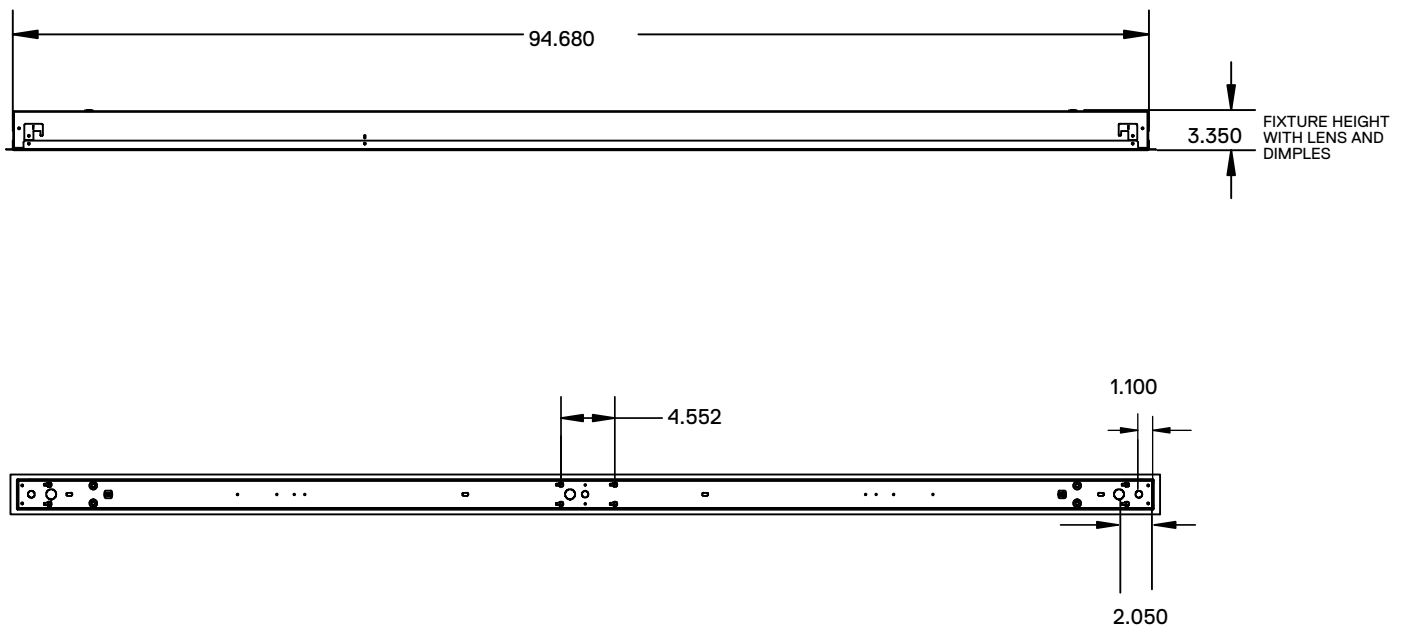
### 4 ft. - Back View



### END VIEW



### 8 ft. - Back View



We reserve the right to change design, materials, LED's and finish in any way that will not alter installed appearance or reduce function and performance.

**ORDERING INFORMATION**

SERIES	LENS MATERIAL	SIZE	WATTAGE & LUMENS <sup>1</sup>	DRIVER	CRI	CCT		
<b>L34R<sup>2</sup></b> Recessed for T-Grid Ceiling	SF Snap in Frosted Lens	24L 24"	K13W	13 Watts 1300 Lumens	DMV G120 0-10V Dimming ELV/Triac dimming at 120V only D1MV 0-10V Dimming (only available with SS sensor) DMV(xx) 0-10V Dimming (dim to 1%) (xx) for percentage of light output when not occupied. (required for SV sensor)	Blank 80CRI 9 90CRI	30K 3000K	
			K19W	19 Watts 1900 Lumens			35K 3500K	
			K23W	23 Watts 2300 Lumens			40K 4000K 50K 5000K	
		48L 48"	K26W	26 Watts 2600 Lumens				
			K38W	38 Watts 3800 Lumens				
			K45W	45 Watts 4500 Lumens				
		72L 72"	K39W	39 Watts 3900 Lumens				
			K57W	57 Watts 5700 Lumens				
			K69W	69 Watts 6900 Lumens				
		96L 96"	K52W	52 Watts 5200 Lumens				
			K76W	76 Watts 7600 Lumens				
			K90W	90 Watts 9000 Lumens				

FINISH		CONFIGURATION	
WH	White	Blank	Individual
BK	Black	-B	Beginner Run
SI	Silver	-E	Ender Run
		-J	Joiner

Note:

<sup>1</sup>Programmable LED drivers allow custom configured wattages and corresponding lumens.

<sup>2</sup>For R, see drawings for details; For RF and RPF, see drawings for details; For RR, see drawings for details.

We reserve the right to change design, materials, LED's and finish in any way that will not alter installed appearance or reduce function and performance.