



Texas Fluorescents
Reinvented

CATALOG#: _____
PROJECT: _____
TYPE: _____

Series 44

Architectural LED Linear Squares (4ft and 8ft)

Make a bold statement in your space with dramatic, geometrically-shaped linear lines of light in square configurations. Series 44 fixtures are available in two standard sizes, 4 feet and 8 feet, with a 4-inch linear profile. (Inquire for rectangular or alternative configurations.) Lit corners, shadowless LED lighting and energy efficiency contribute to excellent performance for general lighting applications, while the architectural, pre-configured nature of these fixtures make them ideal for circulation spaces, lobbies, retail settings (cosmetics areas of department stores, etc.) and conference rooms. Available in two lumen packages, white or RGBW options, and in a variety of finishes. Standard snap-in frosted white lens specifically crafted to diffuse LED lighting. Bladed, specular parabolic or white cubed louver, plus matte white lens also available. Fixture installs quickly and easily with four cable kits, one per corner.

CONSTRUCTION

Die-formed and welded 22-gauge cold rolled steel. Knockouts on ends allow continuous wire-way mounting. A 1/2" regressed flange at the bottom insures uniformity and rigidity. Frosted white lens standard; alternative lens and louver options available.



DIMENSIONS

4x4 - 48"L x 48"W x 4"H
8x8 - 96"L x 96"W x 4"H
Contact for custom configurations

FEATURES & BENEFITS

- Pendant mount architectural luminaires hung with supplied cable for each corner, Surface mount and Recessed mount are available
- Direct lighting (For Direct/ Indirect, see Series 45)
- Two standard sizes, each with two wattage/lumen package options
- Four Kelvin Temperatures (3000K, 3500K, 4000K, 5000K)
- Multiple lens and louver options available
- White or numerous color finishes available
- Emergency Battery Backup option available
- CRI >80 (90 CRI avail)
- >50,000 hrs of L70 LED life
- 0-10 Volt dimmable 120-277V (120 ELV/TRIAC avail)
- Power factor >0.90
- Suitable for dry and damp locations
- 5 year warranty





Texas Fluorescents
Reinvented

CATALOG#: _____

PROJECT: _____

TYPE: _____

Series 44

Architectural LED Linear
Squares (4ft and 8ft)

ORDER INFORMATION

Factory at your fingertips. Fill in the blanks to create your part number or create a custom configuration.

| SERIES | LENS MATERIAL | LENGTH | WATTAGE * & LUMENS* | DRIVER | COLOR | |
|--|--|------------------------------|---|--|---------------------------------------|--|
| 44P Pendant Mount Square | MW Matte white lens (Only available for downlight) | 4x4 48"W x 48"L x 4"H | <u>Down Light Only</u> | | DMV 0-10V Dimming | 30K 3000K 35K 3500K 40K 4000K 50K 5000K |
| | SP1 Specular Parabolic Louver | | K96W 96 Watts 9600 Lumens | G120 ELV/TRIAC dimming at 120V only | | |
| 44RF Recessed Mount Square Flanged for Existing Drywall Installation | BL Bladed louver semispecular | | K192W 192 Watts 19200 Lumens | | D1MV 0-10V Dimming (dim to 1%) | |
| | PLA White Cubed Acrylic Louver | | <u>Up Light Only</u> | | | |
| 44RR375 Recessed Mount Square Flanged for New Drywall Installation (3/8" Flange) | SF Snap-in frosted acrylic lens (85% transmission) Special for LEDs; only available for uplight and downlight | | KU96W 96 Watts 9600 Lumens | | | |
| | | | KU192W 192 Watts 19200 Lumens | | | |
| 44RR500 Recessed Mount Square Flanged for New Drywall Installation (1/2" Flange) | | | <u>Up or Down Light Only</u> | | | |
| | | | KU48WD96W 48 Watts Up 96 Watts Down 14400 Lumens | | | |
| 44RR675 Recessed Mount Square Flanged for New Drywall Installation (5/8" Flange) | | | KU72WD144W 72 Watts Up 144 Watts Down 21600 Lumens | | | |
| | | | <u>Down Light Only</u> | | | |
| 44S Surface Mount Downlight only | | 8x8 96"W x 96"L x 4"H | K192W 192 Watts 19200 Lumens | | | |
| | | | K384W 384 Watts 38400 Lumens | | | |
| | | | <u>Up Light Only</u> | | | |
| | | | KU192W 192 Watts 19200 Lumens | | | |
| | | | KU384W 384 Watts 38400 Lumens | | | |
| | | | <u>Up & Down Light</u> | | | |
| | | | KU96WD192W 96 Watts Up 192 Watts Down 28800 Lumens | | | |
| | | | KU144WD288W 144 Watts Up 288 Watts Down 43200 Lumens | | | |

Additional Options

| CRI** | FINISH | OPTIONS |
|---------------------|------------------|--|
| Blank 80 CRI | WH White | HC712WH Cable kit with 12' cable & 3 wires power feed/cable incl. and white canopy EM 14W Emergency battery backup (internal, excludes less than 4ft) |
| 90 90 CRI | BK Black | |
| | SI Silver | |

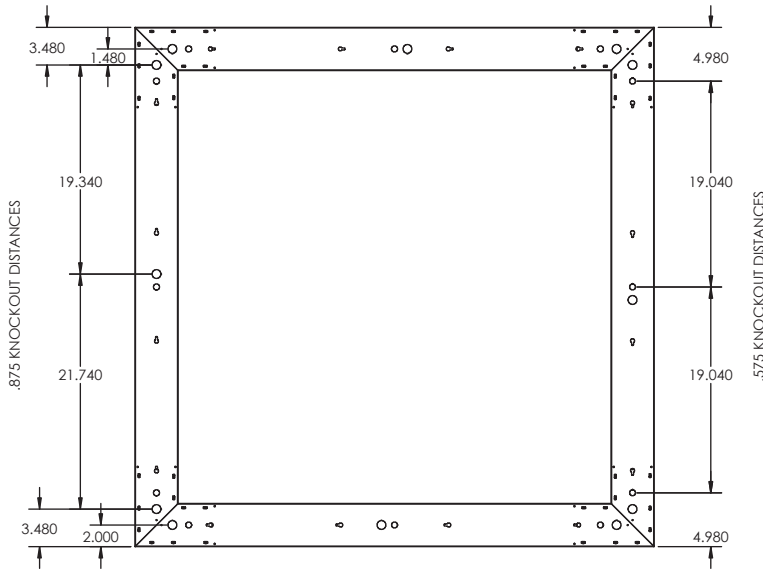
*Programmable LED drivers allow custom configured wattages and corresponding lumens.

** Consult factory for 90CRI 5000K availability

NOTE: Values shown are typical or recorded under standardized conditions at 25°C. Actual performance may vary based environment or application. Specifications are subject to change without notice. We reserve the right to change design, materials, LED's and finish in any way that will not alter installed appearance or reduce function and performance.

DRAWINGS & IMAGES

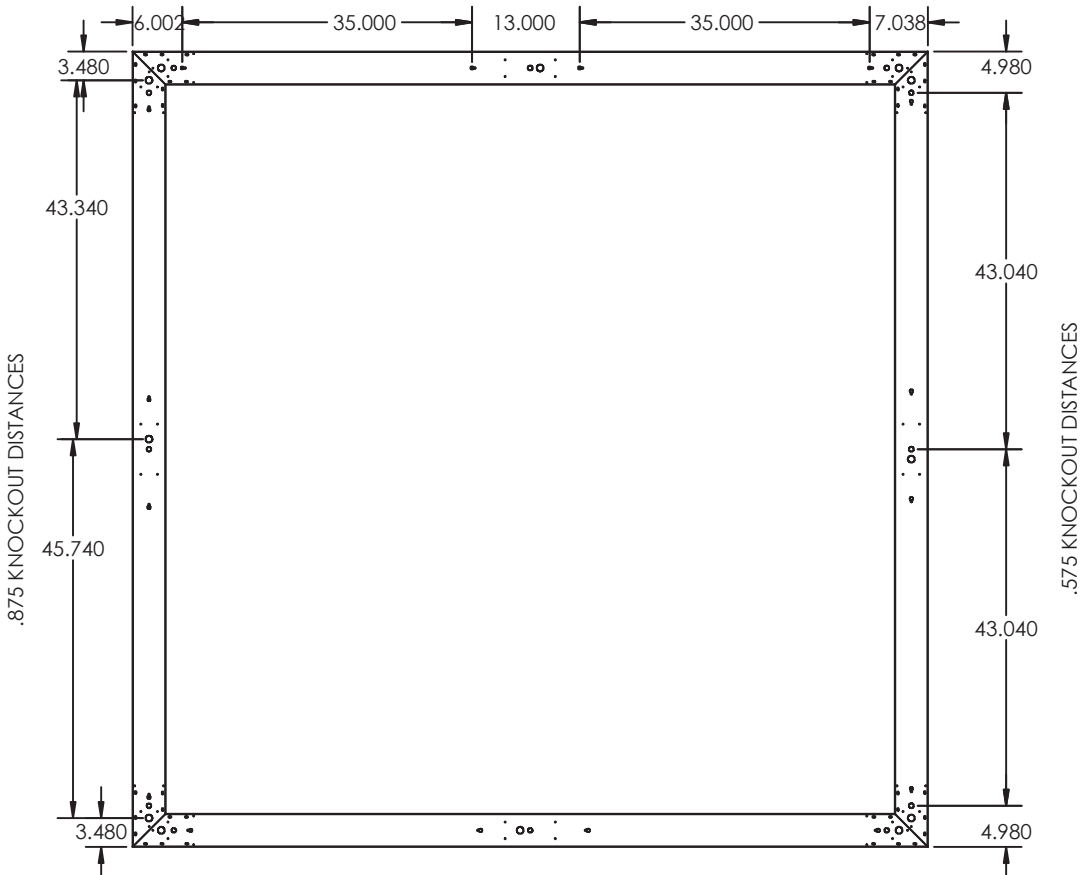
4X4 - P



**REPLACEMENT LENS
ORDERING INFORMATION**

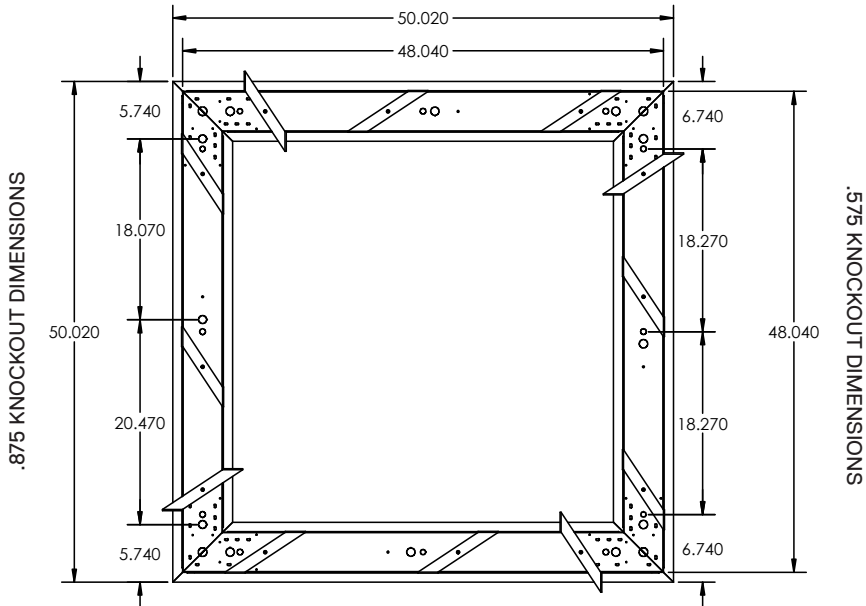
| SERIES | DESCRIPTION |
|-----------|--|
| 044PSF4X4 | Replacement Snap-in Frosted lens for 4x4 (order 1 per each fixture side) |
| 044PSF8X8 | Replacement Snap-in Frosted lens for 8x8 (order 1 per each fixture side) |

8X8 - P

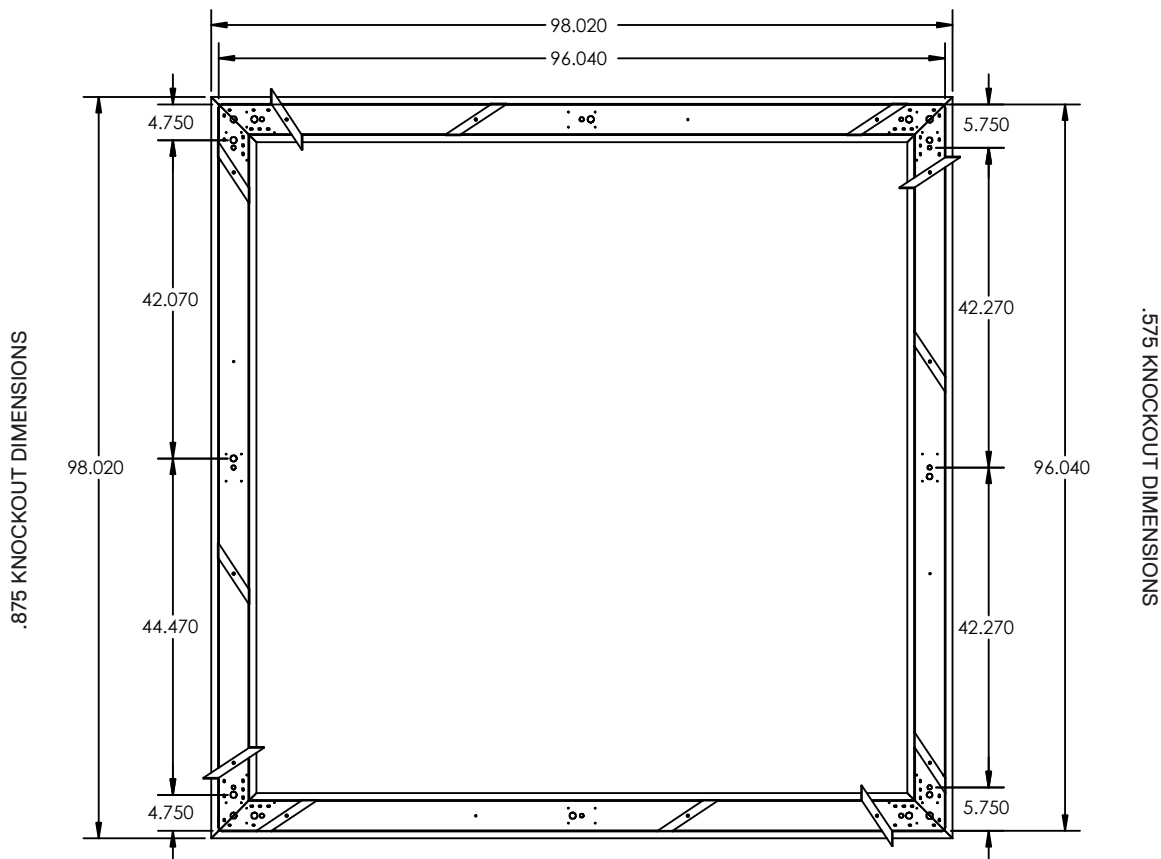


DRAWINGS & IMAGES

4X4 - RF



8X8 - RF

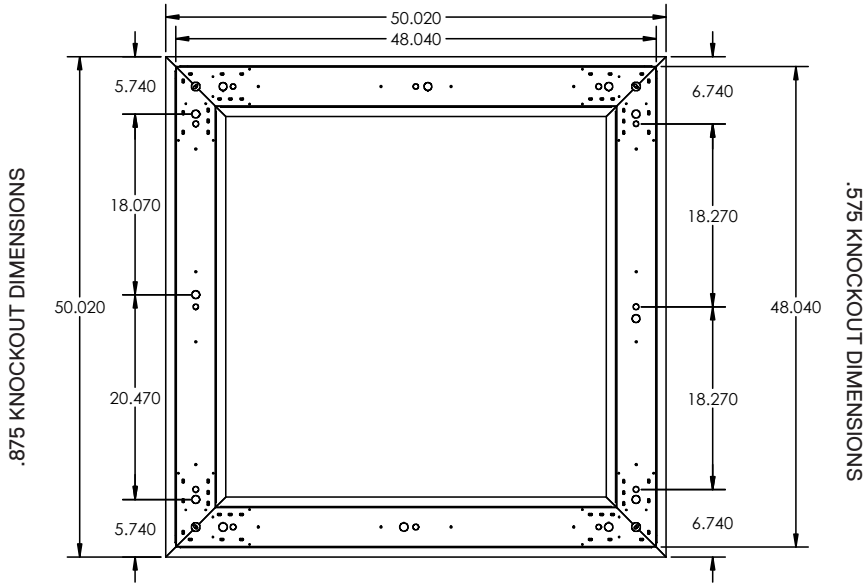


**REPLACEMENT LENS
ORDERING INFORMATION**

| SERIES | DESCRIPTION |
|-----------|--|
| 044PSF4X4 | Replacement Snap-in Frosted lens for 4x4 (order 1 per each fixture side) |
| 044PSF8X8 | Replacement Snap-in Frosted lens for 8x8 (order 1 per each fixture side) |

DRAWINGS & IMAGES

4X4 - RR



**REPLACEMENT LENS
ORDERING INFORMATION**

| SERIES | DESCRIPTION |
|-----------|--|
| 044PSF4X4 | Replacement Snap-in Frosted lens for 4x4 (order 1 per each fixture side) |
| 044PSF8X8 | Replacement Snap-in Frosted lens for 8x8 (order 1 per each fixture side) |

8X8 - RR

