



Texas Fluorescents  
Reinvented

CATALOG# : \_\_\_\_\_

PROJECT : \_\_\_\_\_

TYPE : \_\_\_\_\_

# Series SER

## LED Linear Contoured Strip

Full body micro silhouette makes a bold statement with a minimal design in post-painted in powder coated flat white finish (consult factory for other finishes). Scaled to the LED module the matte white diffuser surrounds the LEDs for soft lighting. Fixture can be surface mounted on wall or ceiling or pendant mounted with specially engineering cable mounting kit.

### CONSTRUCTION

Fully assembled housing is formed and welded, 22 gauge steel, chemically treated to resist corrosion and enhance paint adhesion. Can be mounted individually or in continuous row. Available with smooth frosted lens. Knock-outs on back accept standard electrical fittings (by others) Consult factory for other locations.

### MOUNTING

Surface mount or Pendant mount. Horizontal or Vertical.

### TYPICAL OPTIONS & ACCESSORIES

Cord sets, whips, fuses, occupancy sensors, etc. Multiple finish options available. Emergency battery backup optional. Contact factory for more details.



### DIMENSIONS

- 2ft. - 24"L x 3.79"W x 3.93"H
- 4ft. - 48"L x 3.79"W x 3.93"H
- 8ft. - 96"L x 3.79"W x 3.93"H

### FEATURES & BENEFITS

- Surface or pendant mounted
- Attractive source of direct lighting for any indoor applications
- Individual use, continuous fixture runs or configurable in custom shapes with joiners and end caps
- Integral driver, snap-fit lens
- Easy installation
- Multiple lumen packages (3000K, 3500K, 4000K, 5000K); consult factory for RGBW option
- Variety of lumen packages and wattages through use of programmable drivers
- CRI: >80 standard, 90 optional
- L70: >50,000 Hours
- Dimming: 0-10V 120-277V standard, 120 ELV/TRIAC optional
- Emergency backup options available
- Power Factor: >0.90
- Rated for damp and dry locations
- 5-Year Warranty
- Custom finishes available; contact factory





Texas Fluorescents  
Reinvented

CATALOG#: \_\_\_\_\_  
PROJECT: \_\_\_\_\_  
TYPE: \_\_\_\_\_

# Series SER

## LED Linear Contoured Strip

### ORDER INFORMATION

Factory at your fingertips. Fill in the blanks to create your part number or create a custom configuration.

SENSOR	SERIES	LENS MATERIAL	LENGTH	WATTAGE & LUMENS <sup>1</sup>		DRIVER		COLOR & CRI <sup>2</sup>																	
<b>SS</b> Sensor - On/Off <b>SV</b> Bi-level (xx) <b>SD</b> Daylight Harvesting	SER	FR	Frosted Lens	24L	24"	K14W	14 Watts 1800 Lumens	DMV	0-10V Dimming	30K	3000K 80 CRI														
						K20W	20 Watts 2600 Lumens					G120	ELV/TRIAC dimming at 120V only (only available with SS sensor)	35K	3500K 80 CRI										
						48L	48"									K28W	28 Watts 3500 Lumens	D1MV	0-10V Dimming (dim to 1%)	40K	4000K 80 CRI				
																K36W	36 Watts 4500 Lumens					DMV(xx)	0-10V Dimming (xx) for percentage of light output when not occupied (required for SV sensor)	50K	5000K 80 CRI
																K40W	40 Watts 5000 Lumens								
						96L	96"									K56W	56 Watts 7000 Lumens			935K	3500K 90 CRI				
				K72W	72 Watts 9000 Lumens			940K	4000K 90 CRI																
				K80W	80 Watts 10000 Lumens																				

### Additional Options

FINISH	CONFIGURATION	OPTIONS <sup>3</sup>
WH	White	<b>HC301WH</b> Cable kit with 4' cable & 3 wires power feed/cable incl. and white canopy <b>HC302WH</b> Cable kit with 12' cable & 3 wires power feed/cable incl. and white canopy <b>HC3015WWH</b> Cable kit with 4' cable & 5 wires power feed/cable incl. and white canopy <b>HC3025WWH</b> Cable kit with 12' cable & 5 wires power feed/cable incl. and white canopy <b>2SCS24WH</b> Two stem kits with 24" stem, canopy and mounting hardware for a 4' fixture <b>EM14</b> 14W Emergency battery backup (internal, excludes less than 4ft) <b>EM20</b> 20W Emergency backup (remote only)
BK	Black	
SI	Silver	
	Blank	
	Individual	
	-B Beginner Run	
	-E Ender Run	
	-J Joiner Run	

<sup>1</sup>Programmable LED drivers allow custom configured wattages and corresponding lumens.

<sup>2</sup>Contact factory for 90 CRI 5000K available.

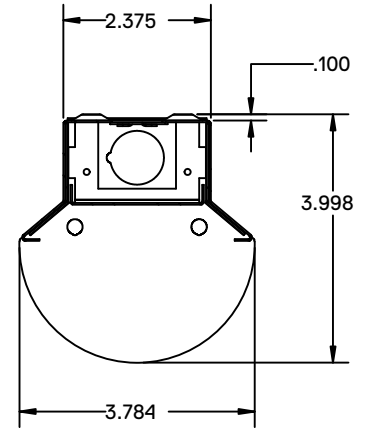
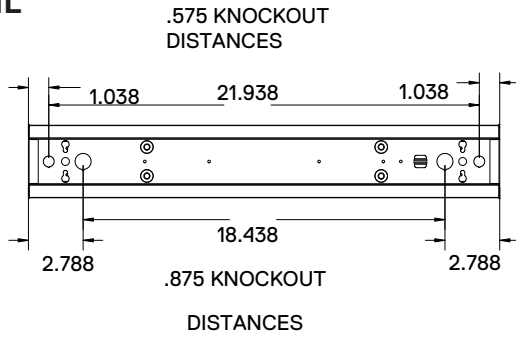
<sup>3</sup>Consult factory for other EM wattage options.

**NOTE:** Values shown are typical or recorded under standardized conditions at 25°C. Actual performance may vary based environment or application. Specifications are subject to change without notice. We reserve the right to change design, materials, LED's and finish in any way that will not alter installed appearance or reduce function and performance.

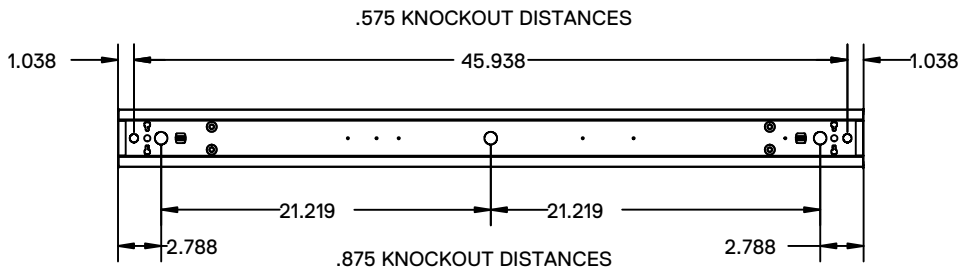
### DRAWINGS & IMAGES

### End View

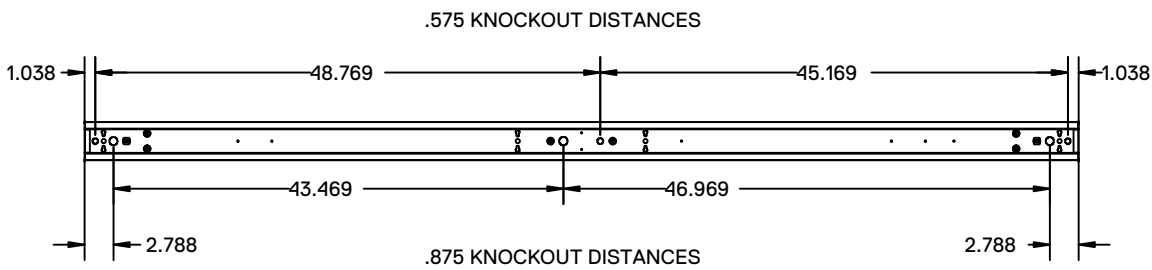
#### 24L



#### 48L



#### 96L



#### OCCUPANCY SENSOR

- Self-Contained Relay
- No Power Pack Needed
- No Minimum Load
- Requirements Interchangeable
- Hot & Load Wires, Impossible to Wire Backwards Push-Button Programmable
- Adjustable Time Delays
- No Field Calibration or Sensitivity Adjustments Required
- Convenient Test Mode
- 100 hr Lamp Burn-in Timer
- Green LED Indicator

#### PHYSICAL SPECS

- SIZE: 2.25" H x 1.38" W x 0.82" D (5.715 cm x 3.51 cm x 2.08 cm)
- WEIGHT: 4 oz
- MOUNTING: Snaps into 2 3/16" H x 1 5/16" W x 1" D cavity in fixture
- COLOR: White