



Texas Fluorescents  
Reinvented

CATALOG#: \_\_\_\_\_  
PROJECT: \_\_\_\_\_  
TYPE: \_\_\_\_\_

# Series L34-RGBW

## LED Surface or Pendant Mount Linear Fixture

Full body micro silhouette makes a bold statement with a minimal design in post-painted in powder coated flat white polyester finish (consult factory for other finishes). Scaled to the LED module the matte white diffuser surrounds the LEDs for soft lighting. Fixture can be surface mounted on wall or ceiling or pendant mounted with specially engineering cable mounting kit. RGBW LED array provides multiple color options out of the fixture. An app or separate wall controller are required to control the color options.

### CONSTRUCTION

Die-formed and welded 22-gauge cold rolled steel. Easy to install. Fixtures are designed for individually or in continuous runs.

### DIFFUSERS

Special LED formulated frosted lenses with snap in feature for easy access.

### TYPICAL OPTIONS & ACCESSORIES

Cord sets, whips, occupancy sensors, hanging kits, etc. Contact factory for more details.



### DIMENSIONS

4ft.-48"L x 2.375"W x 3.25"H  
8ft.-96"L x 2.375"W x 3.25"H

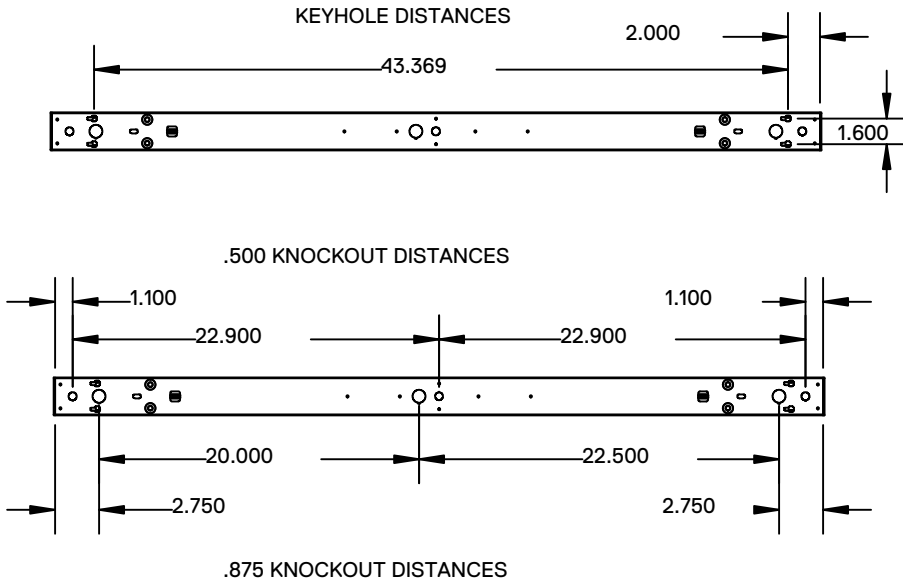
### FEATURES & BENEFITS

- Can be surface mounted to the ceiling or pendant hung by engineered hanging kit
- Attractive source of direct lighting for any indoor applications
- Integral driver, snap-fit lens
- Easy installation
- Available in custom finish. Consult factory for details.
- 120-277V
- Options with Illumi Mesh Tek App or Wall control panel
- Suitable for dry or damp location
- 5 year warranty

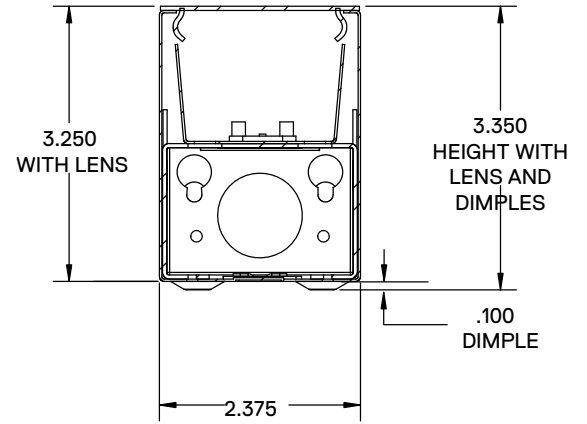


## DRAWINGS AND DIMENSIONS

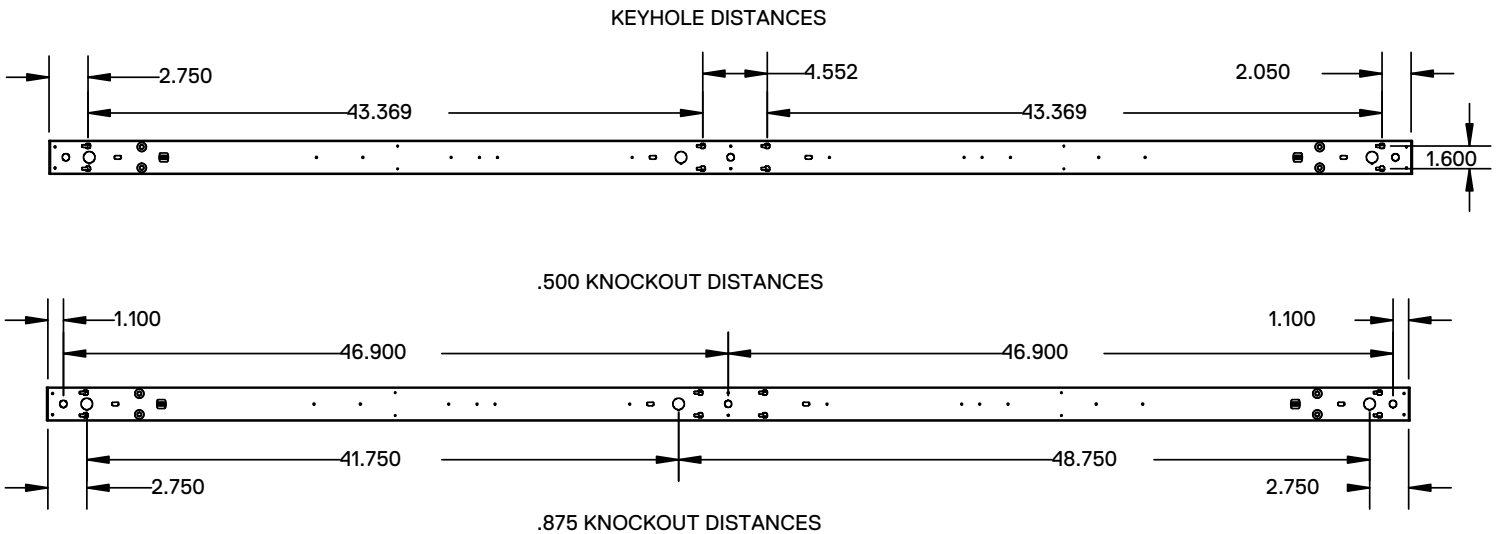
### 4 ft. - Back View



### END VIEW



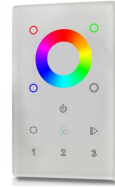
### 8 ft. - Back View



We reserve the right to change design, materials, LED's and finish in any way that will not alter installed appearance or reduce function and performance.

### ORDERING INFORMATION

SERIES	LENS MATERIAL	SIZE	WATTAGE	DRIVER	FINISH	RECEIVER
L34P Pendant Mount	SF Frosted Lens	48L 48"	RGBW27W RGBW Color Changing, 27 watt	MV 120-277V	WH White BK Black SI Silver	IL Ilumi Receiver pairs with Ilumi Mesh Tek App (Free App)
			RGBW54W RGBW Color Changing, 54 watt			SR RF Receiver pairs with 3 Zone RF RGBW Wall Mount Touch Panel, SRTSR2820US3 (order separately)
		96L 96"	RGBW54W RGBW Color Changing, 54 watt			SRDMX DMX receiver pairs with 3 zone DMX512 Wall Mount touch panel, SRTSR2812US3, requires AC to DC transformer 24V, SRTTP12009 (both items order separately)
			RGBW108W RGBW Color Changing, 108 watt			



CONFIGURATION	Harness and Hanging Kit Options	
Blank Individual	PI1	3 wires harness, including white, black and green
-B Beginner Run	HC301WH	Cable kit with 4' Cable & 3 Wires Power Feed/Cable Incl. and White Canopy
-E Ender Run	HC302WH	Cable kit with 12' Cable & 3 Wires Power feed/Cable Incl. and White Canopy
-J Joiner	HC3015WWH	Cable kit with 4' Cable & 5 Wires Power Feed/Cable Incl. and White Canopy
	HC3025WWH	Cable kit with 12' Cable & 5 Wires Power feed/Cable Incl. and White Canopy
	2SCS24WH	Two Stem kits with 24" Stem, Canopy and Mounting hardware for a 4' fixture

**Note:**

\*Programmable LED drivers allow custom configured wattages and corresponding lumens.  
We reserve the right to change design, materials, LED's and finish in any way that will not alter installed appearance or reduce function and performance.



CATALOG#: \_\_\_\_\_  
PROJECT: \_\_\_\_\_  
TYPE: \_\_\_\_\_

# Series L34-RGBW

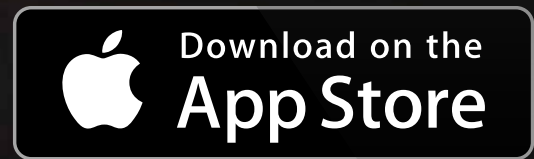
LED Surface or Pendant Mount  
Linear Fixture

## ILUMI CONTROL

Wire to standard on/off light switch and use the App to control all the features.

# Download free Ilumi MeshTek App

from Apple or Android Store and start controlling color, tune your white light, create schedules or use preloaded effects.



We reserve the right to change design, materials, LED's and finish in any way that will not alter installed appearance or reduce function and performance.