

Series L34

Linear LED 2.5" x 3.5"

Full body micro-silhouette makes a bold statement with a minimal design. Powder coated flat white polyester finish (consult factory for other standard or custom finishes). Matte white diffuser surrounds the LEDs for soft lighting. Fixture can be surface mounted on wall or ceiling, or can be pendant mounted with specially engineering cable mounting kit. Also able to be recessed or mounted on the wall.

CONSTRUCTION

Die-formed and welded 22-gauge cold rolled steel. Easy to install. Fixtures are designed for individual or in continuous runs.

DIFFUSERS

Special LED formulated frosted lenses with snap-in feature for easy access.

TYPICAL OPTIONS & ACCESSORIES

Cord sets, whips, occupancy sensors, hanging kits, etc. Standard or custom colors available. Configurable into custom shapes with joiners and end caps, or able to be used in continuous runs or on their own. Emergency battery backup available. Contact factory for more details.



DIMENSIONS

2ft. - 24"L x 2.375"W x 3.35"H

4ft. - 48"L x 2.375"W x 3.35"H

8ft. - 96"L x 2.375"W x 3.35"H

FEATURES & BENEFITS

- Surface mount to the ceiling or pendant hung by engineered hanging kit
- Attractive source of direct lighting for any indoor applications
- Optional joiners and end caps for individual use, continuous runs, custom shapes and configurations
- Integral driver, snap-fit lens
- Easy installation
- CRI: >80 standard, 90 optional
- L70: >50,000 Hours
- Dimming: 0-10V 120-277V standard, 120 ELV/TRIAC optional
- Smallest fixture with integral emergency backup option available
- Power Factor: >0.90
- Suitable for damp and dry locations
- 5-Year Warranty
- White, black and silver standard finishes; contact factory for custom finishes



ORDER INFORMATION

Factory at your fingertips. Fill in the blanks to create your part number or create a custom configuration.

| SERIES | WALL WASH | LENS MATERIAL | LENGTH | WATTAGE* & LUMENS* | DRIVER | COLOR & CRI ¹ |
|--------------------------|--------------------|---|------------------------------|------------------------------|---|--------------------------|
| L34P Pendant Mount | W Wall Wash | SF Snap-in frosted acrylic lens (85% transmission) Special for LEDs; only available for upright and downlight | 24L 24" | K13W 13 Watts 1300 Lumens | DMV 0-10V Dimming | 30K 3000K 80 CRI |
| | Blank No Wall Wash | | | K19W 19 Watts 1900 Lumens | G120 ELV/TRIAC dimming at 120V only (only available with SS sensor) | 35K 3500K 80 CRI |
| | | | | K23W 23 Watts 2300 Lumens | | 40K 4000K 80 CRI |
| L34S Surface Mount | | | 48L 48" | K26W 26 Watts 2600 Lumens | D1MV 0-10V Dimming (dim to 1%) | 50K 5000K 80 CRI |
| | | | | K38W 38 Watts 3800 Lumens | DMV(xx) 0-10V Dimming (xx) for percentage of light output when not occupied. (required for SV sensor) | 930K 3000K 90 CRI |
| | | | | K45W 45 Watts 4500 Lumens | | 935K 3500K 90 CRI |
| | | | 72L 72" | K39W 39 Watts 3900 Lumens | | |
| | | | | K57W 57 Watts 5700 Lumens | | |
| | | | | K69W 69 Watts 6900 Lumens | | |
| 96L 96" | | | K52W 52 Watts 5200 Lumens | | | |
| | | | K76W 76 Watts 7600 Lumens | | | |
| | | | K90W 90 Watts 9000 Lumens | | | |

Additional Options

| FINISH | SENSOR | CONFIGURATION | OPTIONS |
|-----------------------------------|--|---|--|
| WH White BK Black SI Silver | SS Sensor - On/Off SV Bi-level (xx) SD Daylight Harvesting | Blank Individual B Beginner Run E Ender Run J Joiner | Blank Surface Mount HC301WH Cable kit with 4' cable & 3 wires power feed/cable incl. and white canopy HC302WH Cable kit with 12' cable & 3 wires power feed/cable incl. and white canopy HC3015WWH Cable kit with 4' cable & 5 wires power feed/cable incl. and white canopy HC3025WWH Cable kit with 12' cable & 5 wires power feed/cable incl. and white canopy 2SCS24WH Two stem kits with 24" stem, canopy and mounting hardware for a 4' fixture EM 14W Emergency battery backup (internal, excludes less than 4ft) |

Note:

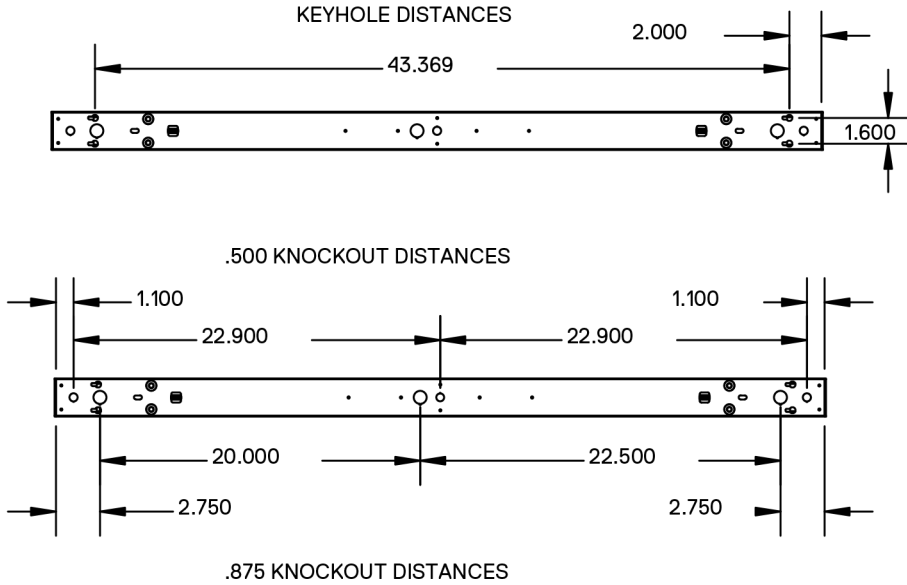
¹ Consult factory for 90CRI 5000K availability.

*Programmable LED drivers allow custom configured wattages and corresponding lumens.

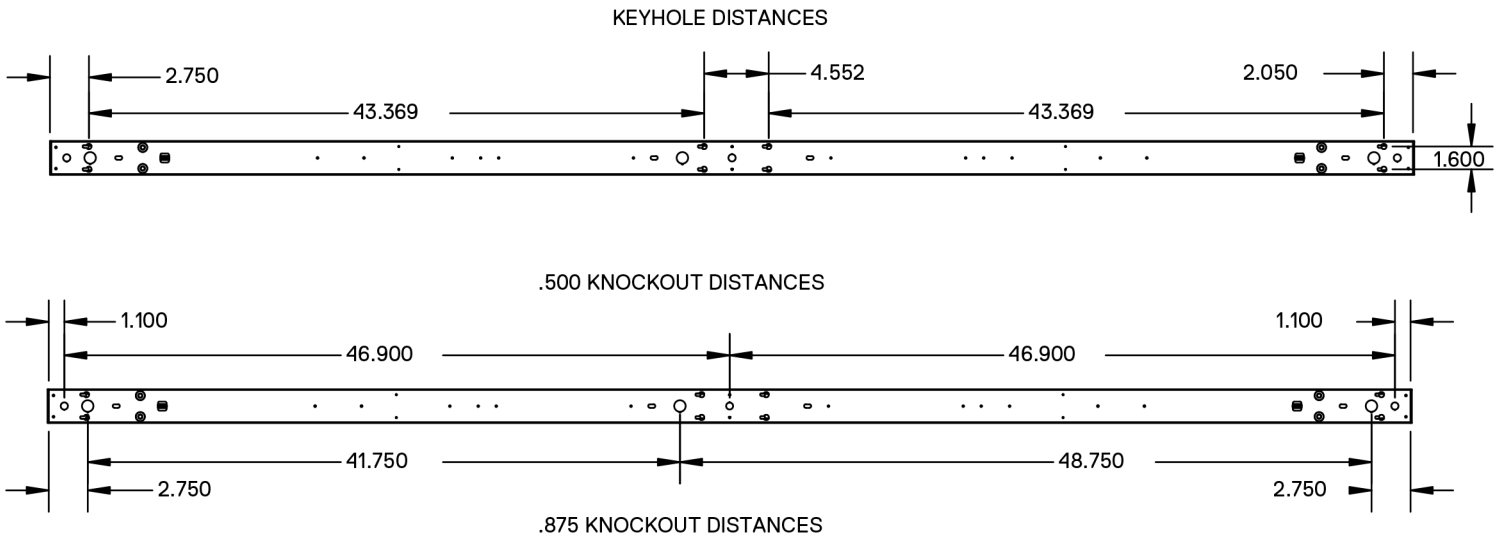
NOTE: Values shown are typical or recorded under standardized conditions at 25°C. Actual performance may vary based environment or application. Specifications are subject to change without notice. We reserve the right to change design, materials, LED's and finish in any way that will not alter installed appearance or reduce function and performance.

DRAWINGS & IMAGES

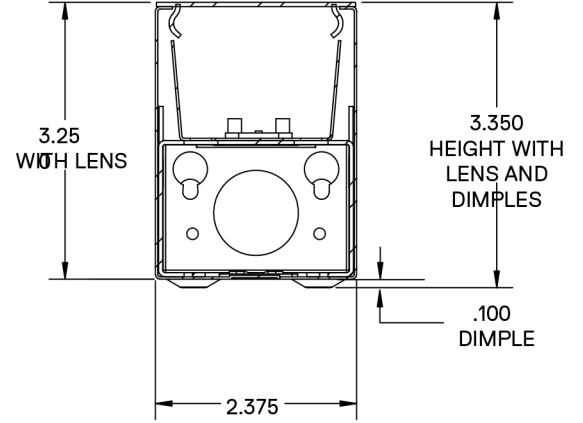
4 ft. - Back View



8 ft. - Back View



END VIEW



REPLACEMENT LENS ORDERING INFORMATION

| PART NO. | DESCRIPTION |
|-----------|--|
| L34PSF24L | Replacement Snap-in Frosted lens for 24" |
| L34PSF48L | Replacement Snap-in Frosted lens for 48" |
| L34PSF96L | Replacement Snap-in Frosted lens for 96" |