



Texas Fluorescents
Reinvented

CATALOG# : _____
PROJECT : _____
TYPE : _____

Series C

LED Open and Lensed Strip (4.25" wide)

The Series C medium-body open strip is ideal for warehouses, retail, and utility areas requiring general illumination with a commercial wide strip configuration, low maintenance, and maximum flexibility to quickly change wattage, lumens or color temperature, simply by changing the lamp. Frosted lens accessory available. Consult to add reflectors.

CONSTRUCTION

Housing is die-formed and embossed code 22 gauge steel. Finish is high reflectance baked white enamel. Wiring knockouts are provided on back and end of housing.

MOUNTING

Surface mount, chain hung, double stem.

TYPICAL OPTIONS & ACCESSORIES

Whips, wire guards, Emergency battery backup. Contact factory for more details.



Frosted Lens



No Lens

DIMENSIONS

- 24L - 24" L x 4.25" W x 2.00" H
- 48L - 48" L x 4.25" W x 2.00" H
- 96L - 96" L x 4.25" W x 2.00" H

FEATURES & BENEFITS

- End plate doubles as coupler for continuous row mounts
- See IND Series for similar fixtures with reflectors
- Suitable for dry and damp locations
- Variety of lumen packages/ wattages through use of programmable drivers
- Multiple color temperatures available (3000K, 3500K, 4000K and 5000K); consult factory for RGBW option
- CRI >80 standard, 90 optional
- L70: >50,000 Hours
- Dimming: 0-10V 120-277V standard, 120 ELV/TRIAC optional
- Emergency battery backup available
- Power factor >0.90
- 5 year warranty





Texas Fluorescents
Reinvented

CATALOG#: _____
PROJECT: _____
TYPE: _____

Series C

LED Open and Lensed Strip
(4.25" wide)

PRODUCT NUMBERS

Factory at your fingertips. Fill in the blanks to create your part number or create a custom configuration.

SERIES	LENGTH	LENS MATERIAL	WATTAGE* & LUMENS*	DRIVER	COLOR/CRI**											
C	24L 24"	Blank	No Lens	Y15W	15 Watts, 2500 Lumens	DMV	120-277VAC 0-10V Dimming	30K 3000K								
		FR ¹	Frosted	Y20W	20 Watts, 3250 Lumens											
				Y25W	25 Watts, 4000 Lumens											
		Y33W	33 Watts, 5200 Lumens	G120	ELV/TRIAC Dimming at 120V only				35K 3500K							
	48L 48"						Y15W	15 Watts, 2500 Lumens		D1MV	0-10V Dimming (dim to 1%)	40K 4000K				
							Y20W	20 Watts, 3400 Lumens								
							Y25W	25 Watts, 4250 Lumens								
				Y30W	30 Watts, 5200 Lumens											
				Y35W	35 Watts, 5900 Lumens											
				Y40W	40 Watts, 6650 Lumens											
				Y45W	45 Watts, 7400 Lumens											
				Y50W	50 Watts, 8150 Lumens											
				Y54W	54 Watts, 8550 Lumens											
				96L 96"					Y30W				30 Watts, 5000 Lumens			50K 5000K
									Y40W				40 Watts, 6800 Lumens			
									Y50W				50 Watts, 8450 Lumens			
	Y60W	60 Watts, 10350 Lumens														
	Y70W	70 Watts, 11700 Lumens														
	Y80W	80 Watts, 13300 Lumens														
	Y90W	90 Watts, 14800 Lumens														
Y100W	100 Watts, 16300 Lumens															
Y108W	108 Watts, 17100 Lumens															

OPTIONS

EM14	14W Emergency battery backup (internal, excludes less than 4ft)
WP	6 ft. 3 wire 18 gauge whip
WP4	6 ft. 4 wire 18 gauge whip (non-dimming EM)
WP5W	6 ft. 5 wire 18 gauge whip
WP6W	6 ft. 6 wire 18 gauge whip (dimming EM)
BAA	Buy American Act Compliant

ACCESSORIES - Order Separately

HC101	20' Chain kit w/ (4) S hooks
GT310	10' Aircraft cable kit
2SCS24WH	Stem kit w/ (2) stems
C48WG	Stainless Steel Wireguard

Note:

FR¹ Frosted lens reduces about 10% light output.

*Programmable LED drivers allow custom configured wattages and corresponding lumens.

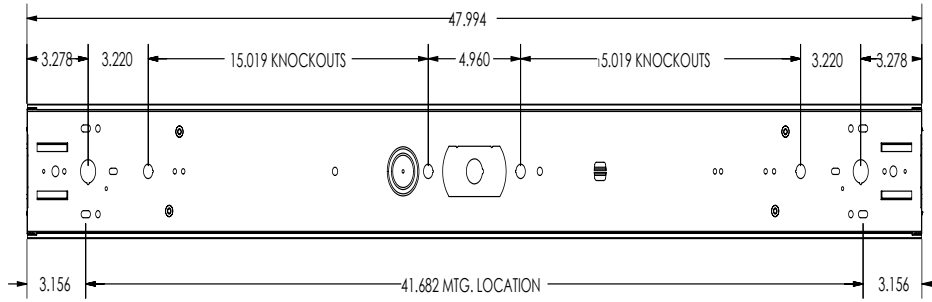
**Consult factory for 90CRI availability.

NOTE: Values shown are typical or recorded under standardized conditions at 25°C. Actual performance may vary based environment or application. Specifications are subject to change without notice. We reserve the right to change design, materials, LED's and finish in any way that will not alter installed appearance or reduce function and performance.

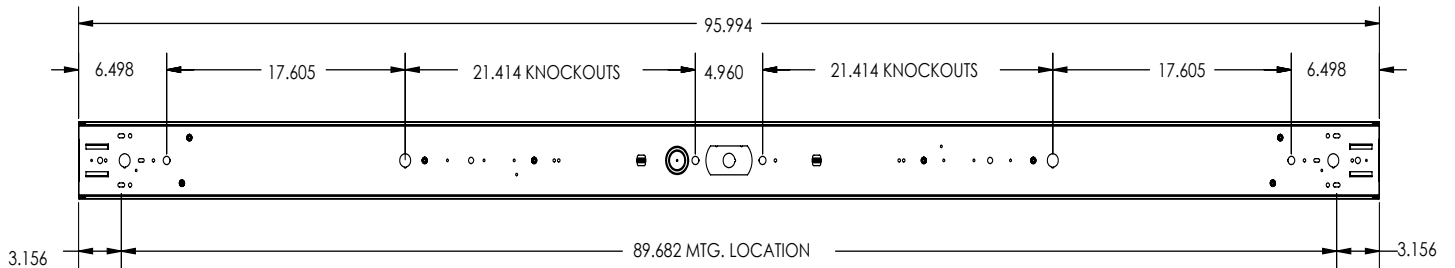
DRAWINGS & IMAGES

Back

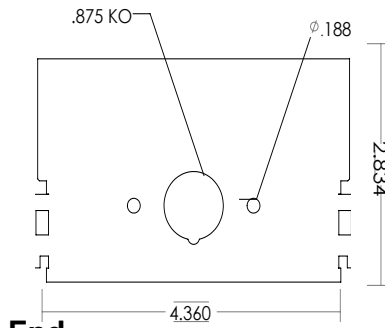
2ft.



4ft.



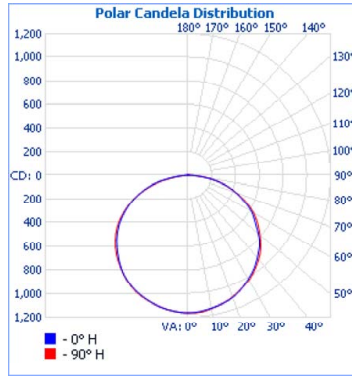
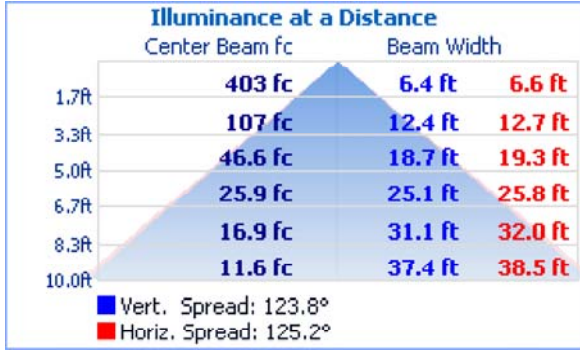
8ft.



End

PHOTOMETRICS

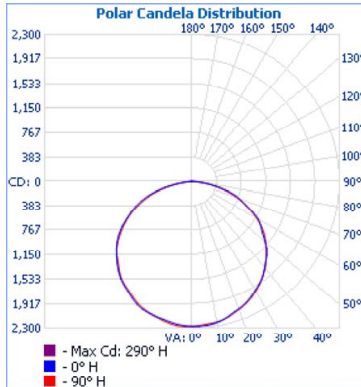
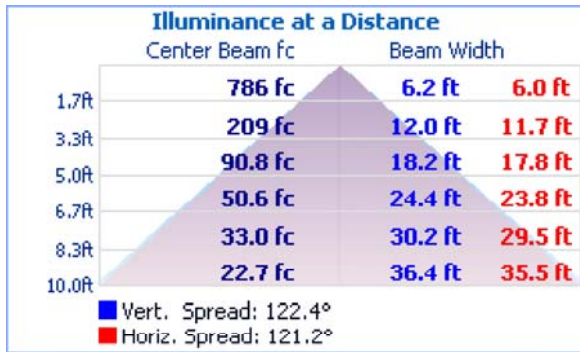
2FT - C24LF24W3350LDMV40K



Zonal Lumen Summary

Zone	Lumens	% Lamp	% Luminaire
0-30	918.9	24.8%	24.5%
0-40	1,528.2	41.2%	40.7%
0-60	2,819.2	76.1%	75.1%
60-90	932.0	25.1%	24.8%
70-100	414.3	11.2%	11%
90-120	1.5	0%	0%
0-90	3,751.2	101.2%	100%
90-180	1.5	0%	0%
0-180	3,752.7	101.2%	100%

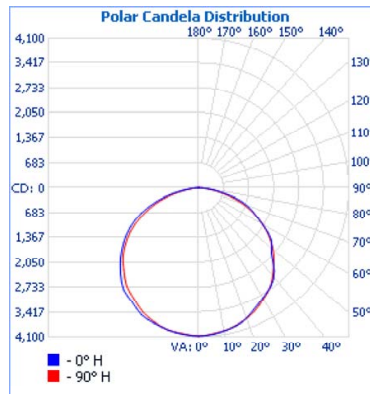
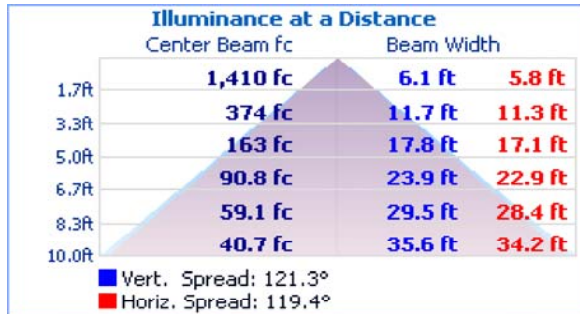
4FT - C48LF48W6500LDMV40K



Zonal Lumen Summary

Zone	Lumens	% Luminaire
0-30	1,789.7	25.2%
0-40	2,969.3	41.9%
0-60	5,434.5	76.7%
60-90	1,652.3	23.3%
70-100	693.5	9.8%
90-120	1.7	0%
0-90	7,086.9	100%
90-180	1.7	0%
0-180	7,088.6	100%

8FT - C96LF97W13000LDMV40K



Zonal Lumen Summary

Zone	Lumens	% Luminaire
0-30	3,197.8	25.9%
0-40	5,293.6	42.9%
0-60	9,613.3	77.9%
60-90	2,729.3	22.1%
70-100	1,102.6	8.9%
90-120	2.8	0%
0-90	12,342.7	100%
90-180	2.8	0%
0-180	12,345.5	100%

