



CATALOG# : _____
PROJECT : _____
TYPE : _____



FSF Series

LED Medium Body Strip w/Lens

Great Performance Strip Fixture - now available with Lens. This LED offering is perfect for so many applications. Designed economically yet with balance and sleek aesthetics. This fixture is perfect for Retail, Industrial, Back House applications as well as the perfect solution for Mezzanine low ceiling installations where a wide distribution light pattern is needed. 5 year factory warranty.

MOUNTING

Surface mount, chain hung, double stem.

TYPICAL OPTIONS AND ACCESSORIES

Whips, wireguards, Emergency battery backup, or contact factory for more details.

FIXTURE DIMENSIONS

24L: 4.25"W x 24.00"L x 3.25"H

48L: 4.25"W x 48.00"L x 3.25"H

96L: 4.25"W x 96.00"L x 3.25"H

SPECIFICATIONS

- 3 standard sizes – 2ft, 4ft, and 8ft
- Surface or pendant mount adapts to most ceilings
- Many lumen package / wattage options via programmable drivers
- Multiple Kelvin temperature options (3000K, 3500K, 4000K, 5000K)
- Emergency battery backup options available
- CRI >80
- >50,000 hrs of L70 LED life
- Rated for dry and damp locations
- 0-10 Volt dimmable 120-277V
- Power factor >0.90
- 5 year warranty (Consult factory for 10 year warranty)
- L70, LM80, TM21 are available



ORDERING GUIDE

Factory at your fingertips. Fill in the blanks to create your part number or create a custom configuration.

Sample Part Number:

SERIES	DIFFUSER		LENGTH		GEAR	WATTAGE ¹		DRIVER		CCT/CRI						
FSF Medium Body Strip SMFSF Medium Body Strip with Microwave Sensor SSFSF Medium Body Strip with Embedded On/ Off Sensor	FR	Frosted	24	24"	LY	14W	14 Watts, 2016 Lumens	DMV	120-277VAC 0-10V Dimming	30K	3000K 80 CRI					
					LY	18W	18 Watts, 2592 Lumens				35K	3500K 80 CRI				
					LY	28W	28 Watts, 4035 Lumens					40K	4000K 80 CRI			
					LY	33W	33 Watts, 4752 Lumens						50K	5000K 80 CRI		
					48	48"	LY							28W	28 Watts, 4035 Lumens	
							LY							31W	31 Watts, 4464 Lumens	
			LY	48W			48 Watts, 6912 Lumens									
			LY	57W			57 Watts, 8208 Lumens									
			LY	62W			62 Watts, 8928 Lumens									
			96	96"			LY			48W	48 Watts, 6912 Lumens					
					LY	57W	57 Watts, 8208 Lumens									
					LY	62W	62 Watts, 8928 Lumens									
					LY	97W	97 Watts, 13968 Lumens									
					LY	114W	114 Watts, 16416 Lumens									
					LY	124W	124 Watts, 17856 Lumens									
										For 90CRI, LJ ¹						

OPTIONS		ACCESSORIES - Order Separately	
WP	6 ft. 3/18 GA whip	HC101	20' Chain kit w/ (4) S hooks
WP4W	6 ft. 4/18 GA Emergency circuit whip	GT310	10' Aircraft cable kit
WP5W	6 ft. 5/18 GA 0-10V Dimming whip	2SCS24WH	Stem kit w/ (2) stems Stainless
WP6W	6 ft. 6/18 GA 0-10V Dimming w/EM circuit whip	C48WG	Steel wireguard
EM10	10W Emergency battery backup		
EM14	14W Emergency battery backup		
MDxx	Sensor options see below table.		

Sensor Code	Lens Code	Lens Option	Sensor Description	Part Number*	Supplier
MDT	1	Isle Lens	On/Off	OSFLAITW	Leviton
				HBP112L7EM10EM	Watt Stopper
MDD	3	Low Mount Lens	Daylight Harvesting	HB011BDX	Leviton
MDF	4	High Mount Lens	Photocell	HBP112L7EM10EM	Watt Stopper
MDB				Bi Level (xx)	LSXR610HL(xx)



NOTES:

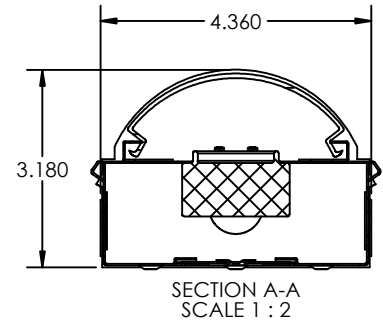
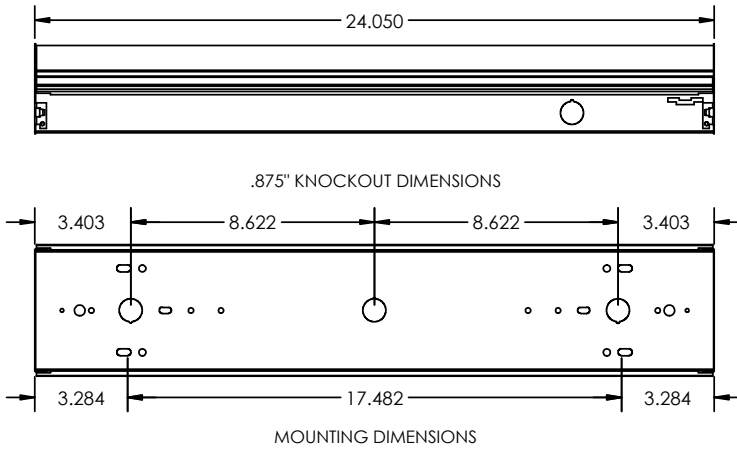
¹Lumen output reduce about 10%. Consult factory for 90 CRI 5000K availability.

*Programmable LED drivers allow custom configured wattages and corresponding lumens.

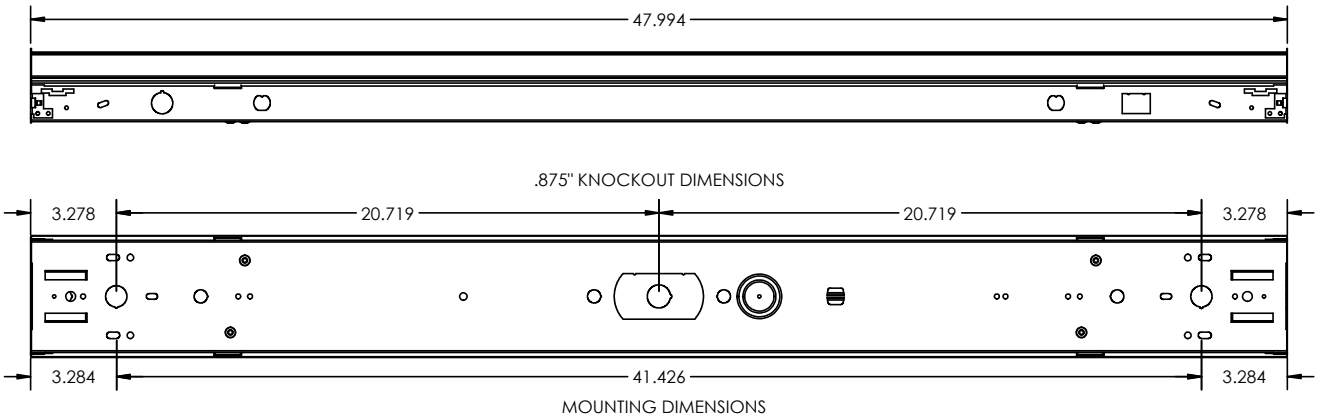
NOTE: Values shown are typical or recorded under standardized conditions at 25°C. Actual performance may vary based environment or application. Specifications are subject to change without notice. We reserve the right to change design, materials, LED's and finish in any way that will not alter installed appearance or reduce function and performance.

PRODUCT DIMENSIONS

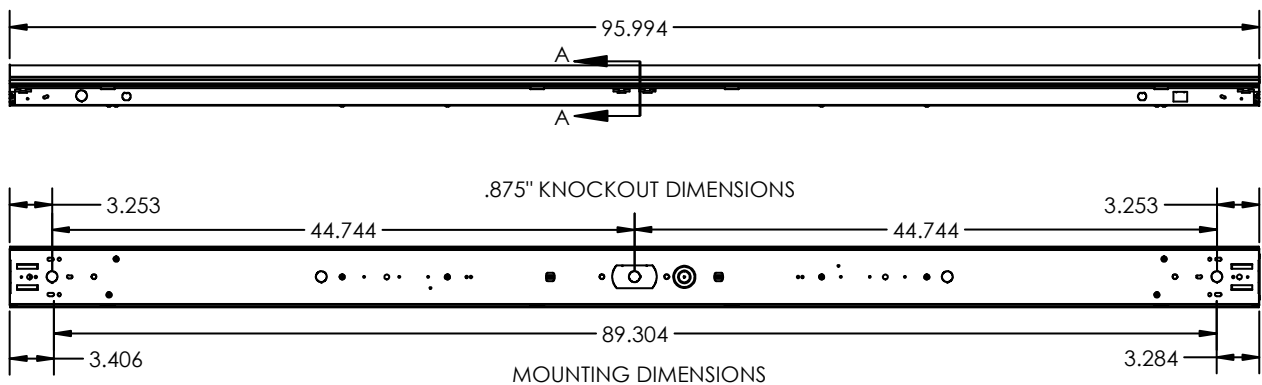
24L



48L

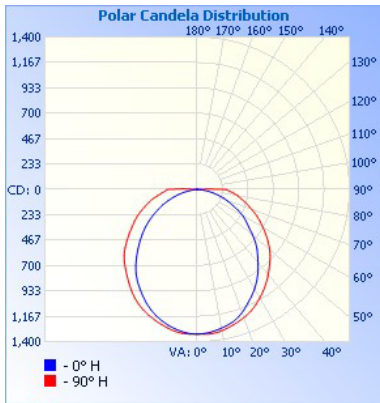


96L

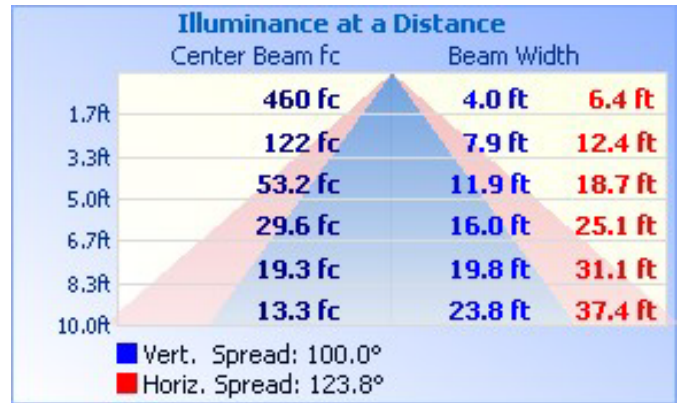


PHOTOMETRICS

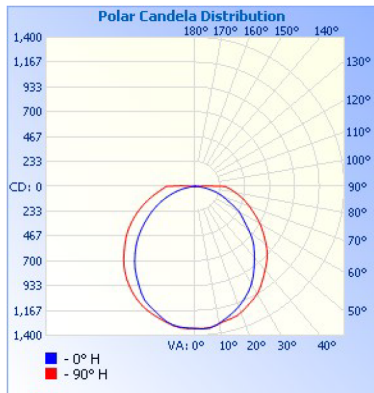
FSFFR24LY28W4000LDMV35K



Zonal Lumen Summary		
Zone	Lumens	% Luminaire
0-30	1,020.2	25.3%
0-40	1,661.0	41.2%
0-60	2,925.2	72.5%
60-90	1,060.3	26.3%
70-100	618.3	15.3%
90-120	49.4	1.2%
0-90	3,985.5	98.8%
90-180	49.4	1.2%
0-180	4,034.9	100%



FSFFR48LY28W4000LDMV35K



Zonal Lumen Summary		
Zone	Lumens	% Luminaire
0-30	1,027.8	25.4%
0-40	1,672.2	41.3%
0-60	2,939.7	72.6%
60-90	1,060.7	26.2%
70-100	620.4	15.3%
90-120	50.4	1.2%
0-90	4,000.4	98.8%
90-180	50.4	1.2%
0-180	4,050.8	100%

