



JOB NAME:

CAT#:

TYPE:

### APPLICATIONS

Premium quality low profile troffer with an almost limitless range of applications. Ideal for all commercial and industrial buildings requiring general illumination with recessed configurations.

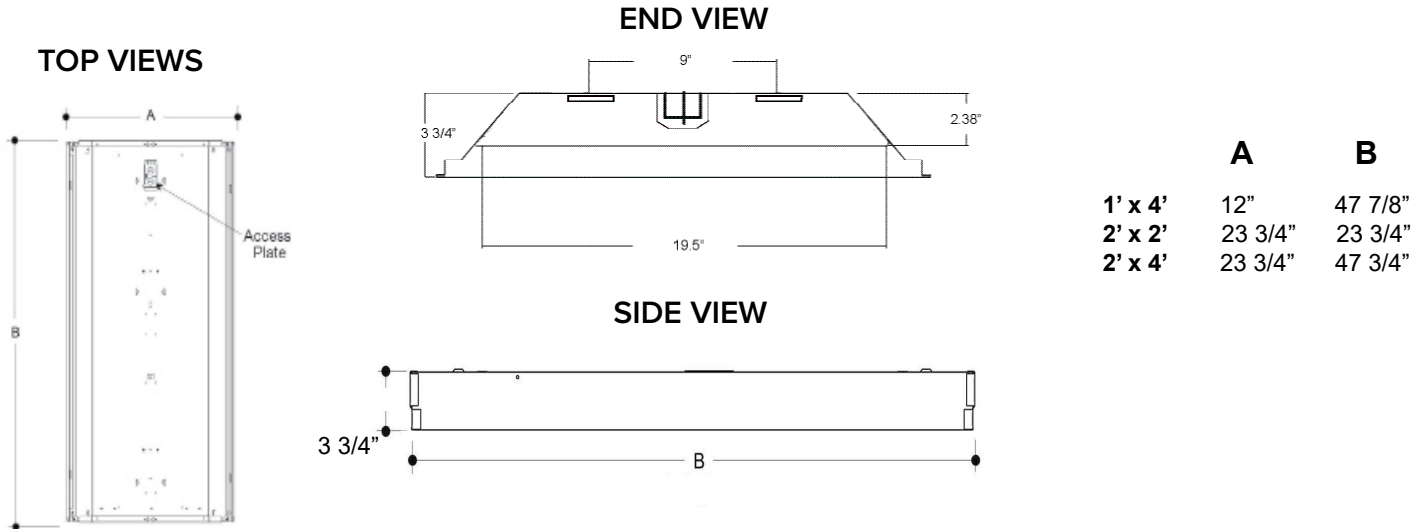
Housing is die-formed and embossed from cold rolled steel. Wiring access plate and knockouts are provided on back of housing allowing for flexible greenfield attachment. Driver cover snaps easily into place eliminating the need for tools when accessing the driver. Prismatic lens is held within a hinged steel frame door. The heavy gauge door frame hinges downward on either side and is held in the closed position by two positive cam latches. Knockouts are provided on ends for continuous wiring.



### FEATURES & BENEFITS

- Min CRI 82
- L70 >60,000 hrs
- IC Rated
- Corrosion and scratch resistant
- Smooth edges for easy handling
- Ends are secured by snap-in interlocking system
- .100 acrylic prismatic lens is standard
- Exclusive "Light Lock" frame reduces light leaks
- Flush steel door with rotary action cam latches and hinges from either side
- Easy access plate for quick wiring
- Equipped with Integral Earthquake Clips
- <sub>c</sub>ETL<sub>us</sub> listed for damp locations up to 95 watts
- DLC listed in certain models - consult DLC QPL for verification

### DIMENSIONS





JOB NAME:

CAT#:

TYPE:

**ORDERING**

EXAMPLE: RG 14 LED 22 DMV 30 EM SSM

| RG        |               | LED        |                                |   |  |                 |
|-----------|---------------|------------|--------------------------------|---|--|-----------------|
| 1. SERIES | 2. SIZE       | 3. GEAR    | 4. WATTAGE/LUMENS*             | 5. DRIVER                                       | 6. LENS  | 7. COLOR TEMP   |
| <b>RG</b> | <b>14</b> 1x4 | <b>LED</b> | <b>1x4 Standard</b>            | <b>DMV</b> 120-277V Multivolt<br>0-10V Dimmable | <b>Blank</b> A12 .100 thick lens                                       | <b>30</b> 3000K |
| LED Grid  | <b>22</b> 2x2 |            | <b>15</b> 15 Watts 2100 Lumens | <b>SDMV</b> Step dimming<br>Multivolt           | <b>125</b> A12 .125 thick lens   | <b>35</b> 3500K |
|           | <b>24</b> 2x4 |            | <b>25</b> 25 Watts 3450 Lumens | <b>D347</b> 347VAC 0-10V<br>Dimming             | <b>156</b> A19 .156 thick lens   | <b>40</b> 4000K |
|           |               |            | <b>30</b> 30 Watts 4100 Lumens | <b>D120</b> Triac Dimming<br>120VAC             | <b>CL</b> Clear .100 thick lens  | <b>50</b> 5000K |
|           |               |            | <b>35</b> 35 Watts 4800 Lumens | <b>D277</b> Triac Dimming<br>277VAC             | <b>CL125</b> Clear .125 thick lens                                     |                 |
|           |               |            | <b>45</b> 45 Watts 6100 Lumens |   | <b>SW</b> Smooth White .100 thick lens                                 |                 |
|           |               |            | <b>54</b> 54 Watts 7300 Lumens |   | <b>S5<sup>2</sup></b> Specular Parabolic Louver<br>(1/2"x1/2"x3/8")    |                 |
|           |               |            | <b>2X2 Standard</b>            |   | <b>S75<sup>2</sup></b> Specular Parabolic Louver<br>(3/4"x3/4"x3/8")   |                 |
|           |               |            | <b>15</b> 15 Watts 2100 Lumens |   | <b>S15<sup>2</sup></b> Specular Parabolic Louver (1<br>1/2"x1 1/2"x1") |                 |
|           |               |            | <b>20</b> 20 Watts 2700 Lumens |   | <b>W5<sup>2</sup></b> White Parabolic Louver<br>(1/2"x1/2"x3/8")       |                 |
|           |               |            | <b>25</b> 25 Watts 3300 Lumens |   | <b>NL<sup>2</sup></b> No Lens  |                 |
|           |               |            | <b>33</b> 33 Watts 4250 Lumens |   | <b>NFL</b> No Frame and Lens   |                 |
|           |               |            | <b>2X4 Standard</b>            |   | <b>FR</b> High Optic Frosted   |                 |
|           |               |            | <b>20</b> 20 Watts 3100 Lumens |   |  |                 |
|           |               |            | <b>25</b> 25 Watts 4000 Lumens |   |  |                 |
|           |               |            | <b>30</b> 30 Watts 4750 Lumens |   |  |                 |
|           |               |            | <b>35</b> 35 Watts 5400 Lumens |   |  |                 |
|           |               |            | <b>40</b> 40 Watts 6050 Lumens |   |  |                 |
|           |               |            | <b>45</b> 45 Watts 6750 Lumens |   |  |                 |
|           |               |            | <b>54</b> 54 Watts 7700 Lumens |   |  |                 |

\*Consult for other wattages or  
Triac Dimming options

**8. EMERGENCY (O)<sup>1</sup>**

- EM** Emergency Battery Pack 10W  
~ 1700 lumens
- EM7** Emergency Battery Pack 7W  
~ 1300 Lumens
- EM5** Emergency  
Battery Pack 5W  
~ 850 Lumens
- EM12K** 1200 Board Lume LED  
Emergency Kit

**9. SENSOR (O)<sup>1</sup>**

- SSM** Microwave Sensor

**Notes:**

<sup>1</sup>(O) is optional

<sup>2</sup> Consult factory for lead time

**NOTE:** Values shown are typical or recorded under standardized conditions at 25°C. Actual performance may vary based on environment or application. Specifications are subject to change without notice. We reserve the right to change design, materials, LED's and finish in any way that will not alter installed appearance or reduce function and performance.

