



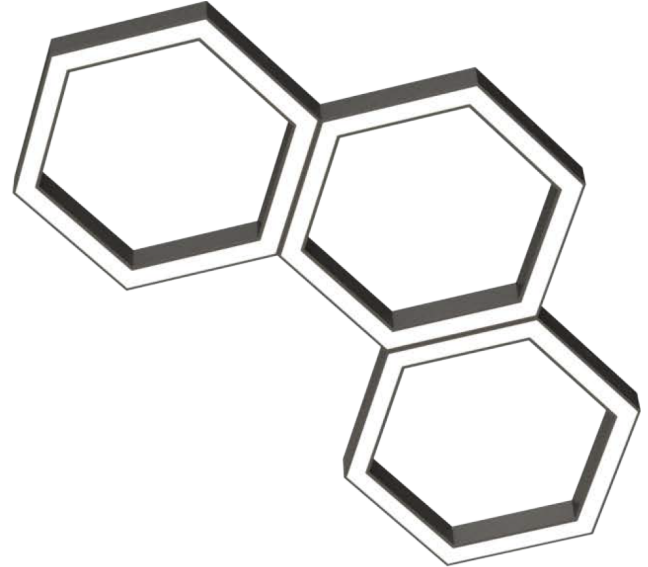
JOB NAME:

CAT#:

TYPE:

APPLICATIONS

Introducing a new eye catching high efficiency LED light fixture, LCHP. Upgrade your lighting experience with this unique and stylish fixture based on nature's strongest shape. The LCHP Series allows customers to create their own custom patterns of polygon fixtures to create an interesting look in any space. The LCHP Series can be linked together in several ways allowing for infinite design possibilities.



CONSTRUCTION

Housing is laser cut, welded, and fabricated from 22 gauge powder coated cold-rolled steel. Multiple knockouts on fixtures allow for seamless wiring between fixture sets. Specially designed 18 gauge cold-rolled steel joiner brackets make connecting fixtures frictionless.

FEATURES & BENEFITS

- Customizable patterns
- Pendant mounted with hanging kit options to fit most ceiling types
- Multiple Kelvin temperature options (3000K, 3500K, 4000K, 5000K)
- CRI > 80 (90 CRI available)
- >50,000 hrs of L70 LED life
- Rated for dry and damp locations
- 0-10 Volt dimmable 120-277V
- Power factor >0.90
- 5 year warranty

Dimensions and specifications subject to change without notice.





JOB NAME:

CAT#:

TYPE:

ORDERING

EXAMPLE: LCHP FR 24 LED 40 DMV WH 40 01

LCHP		FR		LED	
1. SERIES	2. LENS	3. DIMENSIONS ¹	4. GEAR	5. WATTAGE/LUMENS	6. DRIVER
LCHP	FR Frosted lens	24 22"W x 26"L	LED	40 40 Watts 4000 Lumens UNO Hexagon 120 120 Watts 12000 Lumens TRIO Hexagon	DMV 120-277V Multivolt 0-10V Dimmable DIMV 120-277V Multivolt 0-10V Dimming (dim to 1%)

7. FINISH	8. CRI	9. COLOR TEMP	10. CONFIGURATION	11. HANGING KIT
WH White	Blank 80	30 3000K	-01 UNO Hexagon	HC605WH Cable kit with 6' cable & 5 wires power feed/cable incl., clear cord and white canopy
BK Black	9 90	35 3500K	-03² TRIO Hexagon	HC605WHNPF Cable kit with 6' cable & white canopy, non power feed
SI Silver		40 4000K		HC612WH Cable kit with 12' cable & 5 wires power feed/cable incl., clear cord and white canopy
** Custom Color		50 5000K		HC612WHNPF Cable kit with 12' cable & white canopy, non power feed
				LCHPHEXJNRBRKT² Joiner Bracket (included for 3 sets)

Note:

1. Measured by overall width and length.
2. Joiner brackets included in 3 fixture sets.



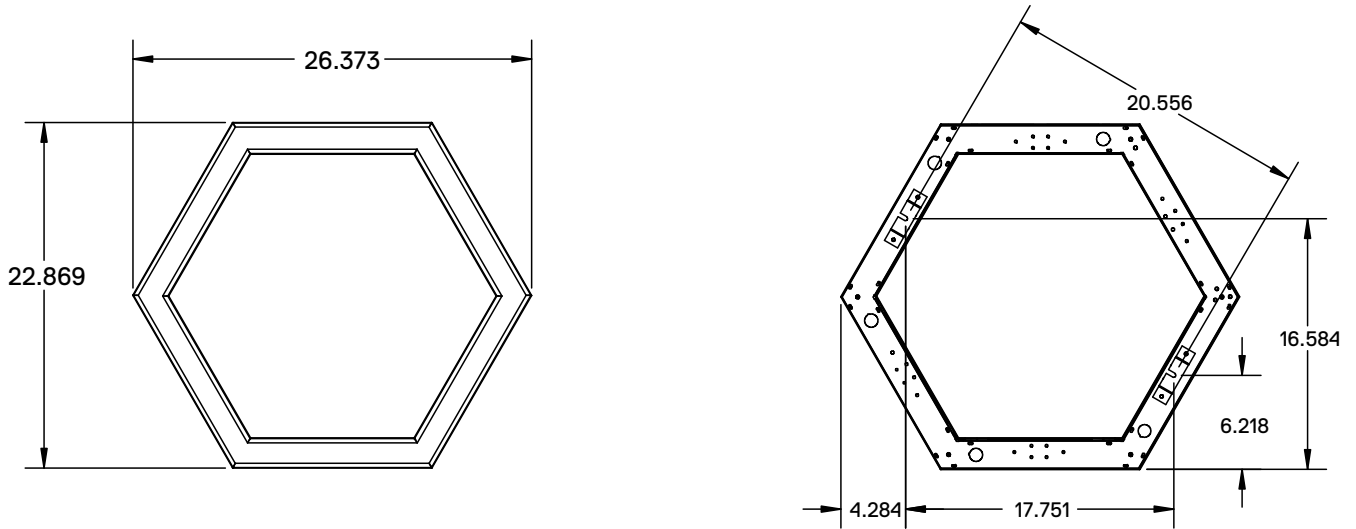
JOB NAME:

CAT#:

TYPE:

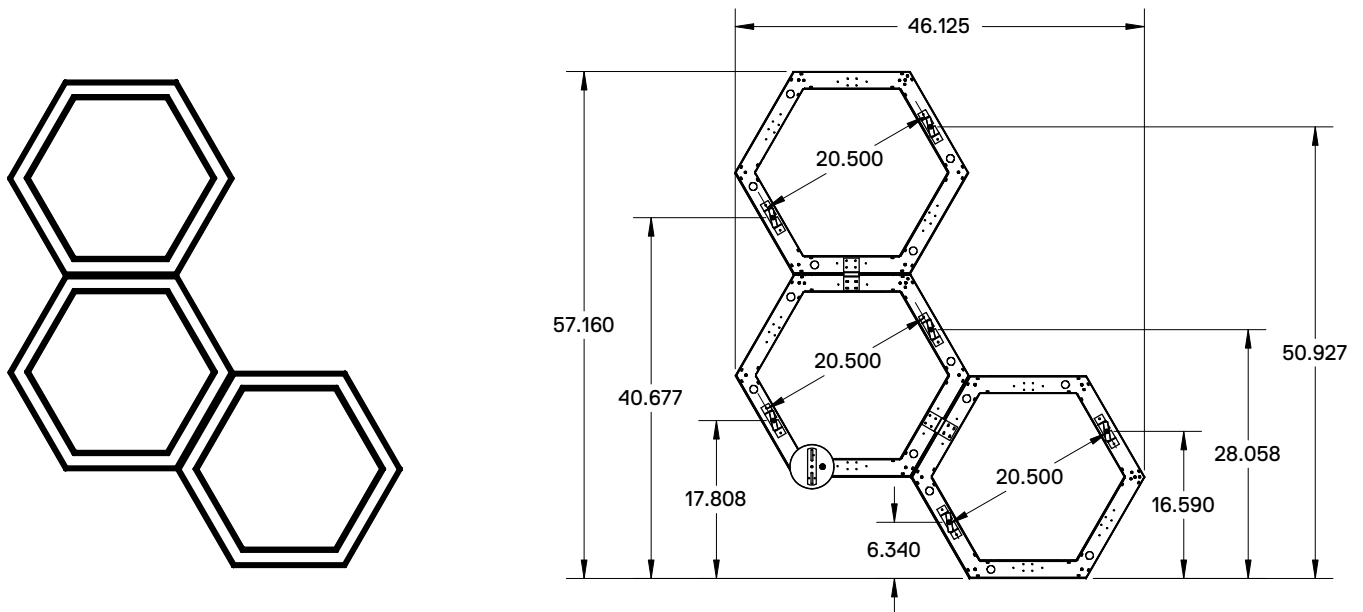
PRODUCT DIMENSIONS

-01 (Individual) Configuration



PRODUCT DIMENSIONS

-03 (Set of 3) Configuration



Dimensions and specifications subject to change without notice.

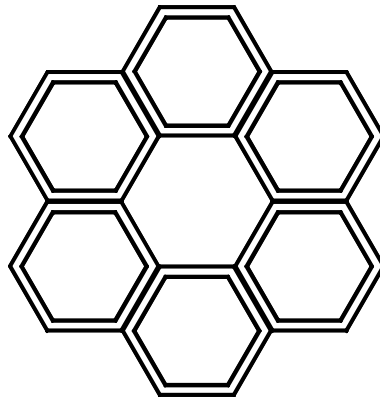
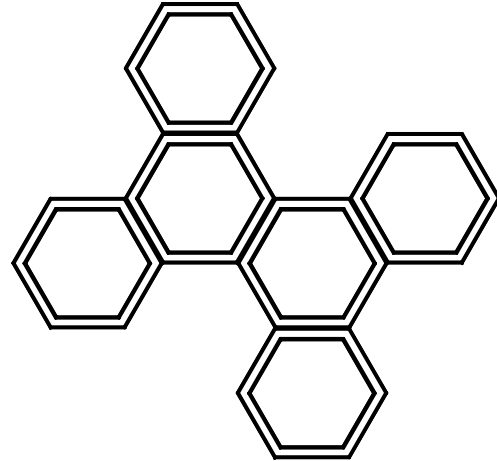
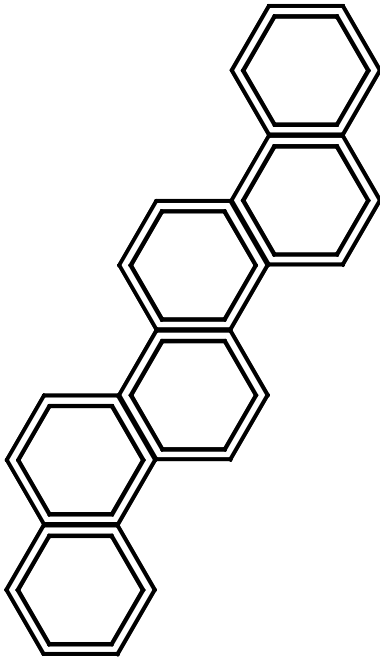


JOB NAME:

CAT#:

TYPE:

EXAMPLE PATTERNS*



***Note: These are only a few possible patterns, please consult the factory to design your own pattern. All designs and drawings will require approval.**

Dimensions and specifications subject to change without notice.