



JOB NAME:

CAT#:

TYPE:

APPLICATIONS

The Mobern BFP back lit LED flat panel is a cleanly designed, high brightness lighting panel, made with high performance LED chips. Three color temperatures and three wattages are offered with each fixture. This panel is ideal for replacing traditional recessed fluorescent fixtures and is simple to fit and install. The BFP is a perfect choice for many applications including commercial, industrial, healthcare, hospitality and many more.

FEATURES & BENEFITS

- Eliminates quality issues with the lens on edge-lit flat panels
- Back-lit LED's evenly illuminate the entire surface of panel with soft, uniform light
- 1x4, 2x2 default wattage is 40W but includes 20W, 30W, & 40W (adjustable in field)
- 2x4 default wattage is 50W but includes 30W, 40W, & 50W (adjustable in field)
- Min CRI 82
- Operating Temperature: -25°C to 40°C (-10°C to 40°C with emergency)
- Beam angle 120°
- 5 Year Warranty
- PF > 0.90
- UL listed



Back View



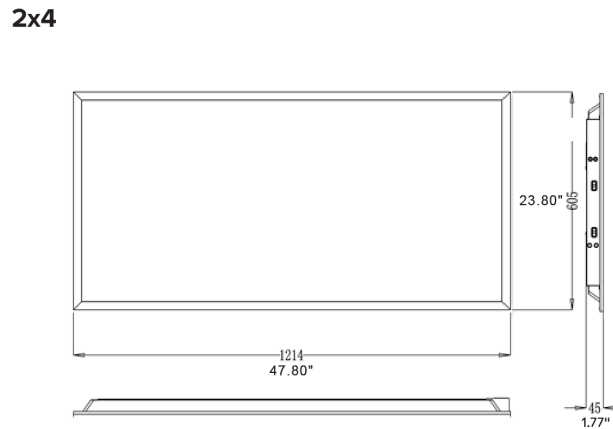
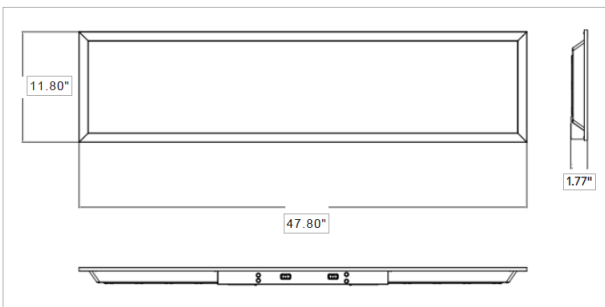
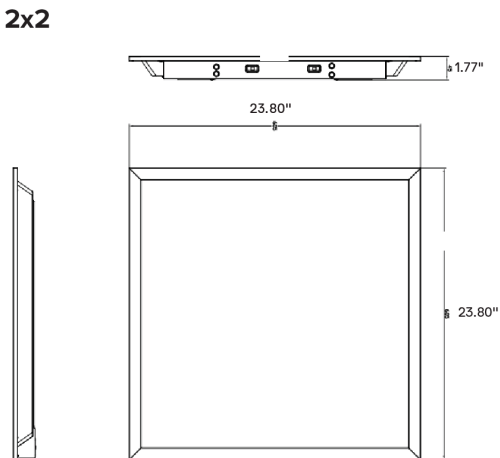
1x4



DIMENSIONS

DIMENSIONS IN INCHES:

- 1x4 - 11.80"W x 47.80"L x 1.77"H (height with driver)
- 2x2 - 23.78"W x 23.78"L x 1.77"H (height with driver)
- 2x4 - 23.78"W x 47.80"L x 1.77"H (height with driver)



Dimensions and specifications subject to change without notice.





JOB NAME:

CAT#:

TYPE:

ORDERING

EXAMPLE: BFP 22 LED 30MW DMV MCT

BFP		DMV		MCT			
1. SERIES	2. SIZE	4. WATTAGE/LUMENS		5. DRIVER	6. COLOR TEMP		
BFP	14L 1 x 4	40M4400M Multi Wattage (40W Default) 20 Watts 2200 Lumens 30 Watts 3300 Lumens 40 Watts 4400 Lumens on a 3 positions switch		DMV 120-277VAC 0-10V Dimmable	MCT4 Multi Color Temp 3000K, 3500K, 4000K, 5000K on a 4 positions switch		
LED Back-lit	22L 2 x 2					2 x 2 only	
Flat Panel	24L 2 x 4						
		40M4400M Multi Wattage (40W Default) 20 Watts 2200 Lumens 30 Watts 3300 Lumens 40 Watts 4400 Lumens on a 3 positions switch					
				1 x 4 only			
		50M5500M Multi Wattage 50W Default) 30 Watts 3300 Lumens 40 Watts 4400 Lumens 50 Watts 5500 Lumens on a 3 positions switch					
				2 x 4 only			

Dimensions and specifications subject to change without notice.

