

CATALOG# : _____

PROJECT : _____

TYPE : _____

Series L23W

LED Wall Mount Linear Fixture

A linear 2 x 3 fixture for distinctive architectural lighting plans. Ideal for corridors, lobbies, and office areas, 2 x 3 Series fixtures can be installed individually or in a continuous run. Specially designed for direct/indirect lighting with snap in lens to hide the LED arrays. Ideal where downlight and uplight are required.

CONSTRUCTION

Die-formed and welded 22-gauge cold rolled steel. Knockouts on ends allow continuous wireway mounting. Housing is specially designed for direct/indirect lighting with separating power source compartments for each.

DIFFUSERS

Specially formulated LED frosted lenses with snap in feature for easy access.

TYPICAL OPTIONS & ACCESSORIES

Cord sets, whips, occupancy sensors, hanging kits, etc.
Contact factory for more details.



DIMENSIONS

2ft.-2"W x 24"L x 3"H

4ft.-2"W x 48"L x 3"H

8ft.-2"W x 96"L x 3"H

SPECIFICATIONS

- Wall mount kits available
- Attractive source of direct or indirect lighting for use in offices, hallways, conference rooms and medical facilities
- Available in custom finish. Consult factory for details
- Emergency Backup options available
- Driver conforms to FCC Title 47 Part 15 Class A
- Suitable for dry or damp location
- 50,000 hrs of L70 LED life
- CRI >80, consult for 90 CRI options
- 120-277V
- Power Factor 0.99
- 115 lm/w
- 0-10V dimming
- 5 year warranty



ORDERING GUIDE

2 Ft.

SERIES	MOUNTING	DIFFUSER	LENGTH	GEAR	UP WATTAGE ¹	DOWN WATTAGE ¹
L23	W Wall Mount	SF Snap-in frosted acrylic lens (85% transmission) Special for LEDs; only available for upright and downlight	24 24"	LT	U6 6 Watts 600 Lumens	D12 12 Watts 1100 Lumens
					U9 9 Watts 850 Lumens	D18 18 Watts 1700 Lumens
					<u>Downlight Only</u>	
						D13 13 Watts 1450 Lumens
						D19 19 Watts 2150 Lumens
					D23 23 Watts 2600 Lumens	

DRIVER	UP/DOWN CONTROL	FINISH ²	CRI/CCT ³	CONFIGURATION
DMV 120-277VAC 0-10V Dimming	Blank Paired Up/Down Dimming+control	WH White	30K 3000K 80 CRI	Blank Individual
		BK Black		-B Beginner Run
G120 ELV/TRIAC Dimming at 120V only	11 Separate Up/Down Dimming+control	SL Silver	35K 3500K 80 CRI	-E Ender Run
		** Custom Color		-J Joiner
D1MV 120-277VAC 0-10V Dimming (dim to 1%)			40K 4000K 80 CRI	
SRMV 120-277VAC Phillips Sensor-Ready			50K 5000K 80 CRI	
DALMV 120-277VAC DALI Dimming			3000K 90 CRI	
			3500K 90 CRI	
			940K 4000K 90 CRI	

OPTIONS

HANGING KIT		SENSOR	
HC605WH Cable kit with 6' cable & 5 wires power feed/cable incl., clear cord and white canopy (included power feed and non-power feed)		SS On/Off Sensor	
HC605WHNPF Cable kit with 6' cable & white canopy, non power feed (non-power feed only)		SV Bi-Level Sensor	
HC612WH Cable kit with 12' cable & 5 wires power feed/cable incl., clear cord and white canopy (included power feed and non-power feed)		SD Daylight Harvesting Sensor	
HC612WHNPF Cable kit with 12' cable & white canopy, non power feed (non-power feed only)		SM Microwave Sensor	

- Note:
1. Uplight and downlight not available in combination for 2 ft fixtures. Consult factory for more information.
 2. **RAL custom finishes available. Consult factory for more information or pricing requests.
 3. Consult factory for 90 CRI 5000K availability.

We reserve the right to change design, materials, LED's and finish in any way that will not alter installed appearance or reduce function and performance.

ORDERING GUIDE

4 Ft. and 8 Ft.

SERIES	MOUNTING	DIFFUSER	LENGTH	GEAR	UP WATTAGE *1	DOWN WATTAGE *1
L23	W Wall Mount	SF Snap-in frosted acrylic lens (85% transmission) Special for LEDs; only available for upright and downlight	48 48"	LT	U12 12 Watts, 1020 Lumens	D24 24 Watts, 2640 Lumens
					U18 18 Watts, 1530 Lumens	D36 36 Watts, 3960 Lumens <u>Downlight Only</u>
			96 96"	LT	U24 24 Watts, 2040 Lumens	D48 48 Watts, 5280 Lumens
					U36 36 Watts, 3060 Lumens	D72 72 Watts, 7920 Lumens <u>Downlight Only</u>
						D52 52 Watts, 5720 Lumens
						D76 76 Watts, 8360 Lumens
						D90 90 Watts, 9900 Lumens

DRIVER	UP/DOWN CONTROL	FINISH ²	CRI/CCT ³	CONFIGURATION	EMERGENCY
DMV 120-277VAC 0-10V Dimming	Blank Paired Up/Down Dimming+control	WH White BK Black	30K 3000K 80 CRI	Blank Individual	EM14 14W Emergency battery backup (integrated in fixtures 4' and longer)
G120 ELV/TRIAC Dimming at 120V only	11 Separate Up/Down Dimming+control	SL Silver ** Custom Color	35K 3500K 80 CRI	-B Beginner Run	
D1MV 120-277VAC 0-10V Dimming (dim to 1%)			40K 4000K 80 CRI	-E Ender Run	
SRMV 120-277VAC Phillips Sensor-Ready			50K 5000K 80 CRI	-J Joiner	
DALMV 120-277VAC DALI Dimming			3000K 90 CRI		
			3500K 90 CRI		
			940K 4000K 90 CRI		

OPTIONS

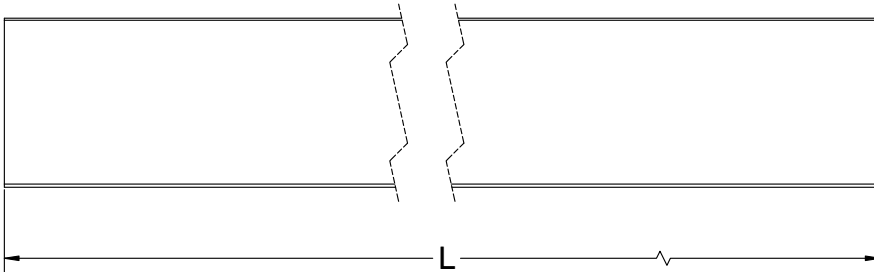
HANGING KIT		SENSOR	
HC605WH	Cable kit with 6' cable & 5 wires power feed/cable incl., clear cord and white canopy (included power feed and non-power feed)	SS	On/Off Sensor
HC605WHNPF	Cable kit with 6' cable & white canopy, non power feed (non-power feed only)	SV	Bi-Level Sensor
HC612WH	Cable kit with 12' cable & 5 wires power feed/cable incl., clear cord and white canopy (included power feed and non-power feed)	SD	Daylight Harvesting Sensor
HC612WHNPF	Cable kit with 12' cable & white canopy, non power feed (non-power feed only)	SM	Microwave Sensor

Note:

- Uplight and downlight not available in combination for 2 ft fixtures. Consult factory for more information.
- **RAL custom finishes available. Consult factory for more information or pricing requests.
- Consult factory for 90 CRI 5000K availability.

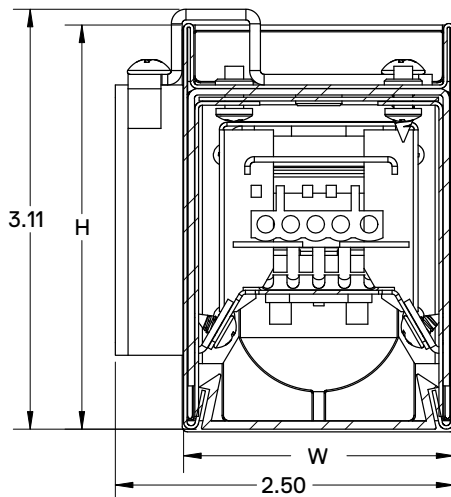
We reserve the right to change design, materials, LED's and finish in any way that will not alter installed appearance or reduce function and performance.

WALL MOUNT DRAWINGS AND DIMENSIONS



PART	L	W	H	L-Length W-Width H-Height
L23W12L	12.00"	2.00"	3.00"	
L23W24L	24.00"	2.00"	3.00"	
L23W36L	36.00"	2.00"	3.00"	
L23W48L	48.00"	2.00"	3.00"	
L23W60L	60.00"	2.00"	3.00"	
L23W72L	72.00"	2.00"	3.00"	
L23W84L	84.00"	2.00"	3.00"	
L23W96L	96.00"	2.00"	3.00"	

End Side View



End Top View

