



Texas Fluorescents
Reinvented

CATALOG#: _____
PROJECT: _____
TYPE: _____

Series L23R

LED Recessed Linear Lines 2" X 3" for T Bar Ceiling

A linear 2 x 3 fixture for distinctive architectural lighting plans. Ideal for corridors, lobbies, conference rooms, medical facilities, and office areas, 2 x 3 Series fixtures can be installed individually or in a continuous run. Specially designed for direct lighting with snap in lens to hide the lamps or LED arrays.

CONSTRUCTION

Die-formed and welded 22-gauge cold rolled steel. Knockouts on ends allow continuous wireway mounting. Housing is specially designed for direct lighting with separating power source compartments for each.

DIFFUSERS

Special LED formulated frosted lenses with snap in feature for easy access.

TYPICAL OPTIONS & ACCESSORIES

Cord sets, whips, occupancy sensors, etc.
Contact factory for more details.



DIMENSIONS

- 2ft. - 23.45"L x 2"W x 3"H
- 4ft. - 47.45"L x 2"W x 3"H
- 8ft. - 95.45"L x 2"W x 3"H

FEATURES & BENEFITS

- For recessed mounting in a grid ceiling
- Attractive source of direct lighting for use in offices, hallways, conference rooms and medical facilities.
- Options include: Multiple lumen packages, choices of color temperature, Emergency Backup capability, or custom finishes (consult with factory)
- IC Rated for dry or damp location
- >50,000 hrs of L70 LED life
- CRI >80
- Power Factor >0.90
- 0-10 Volt dimmable 120-277V (120 ELV/TRIAC avail)
- 5 year warranty.





Texas Fluorescents
Reinvented

CATALOG#: _____
PROJECT: _____
TYPE: _____

Series L23R

LED Recessed Linear Lines
2" X 3" for T Bar Ceiling

ORDER INFORMATION

Factory at your fingertips. Fill in the blanks to create your part number or create a custom configuration.

SERIES	LENS MATERIAL	LENGTH		GEAR	WATTAGE & LUMENS ¹		DRIVER	
L23R Recess For 1" T-Bar Grid Ceiling	SF Snap-in frosted acrylic lens (85% transmission) Special for LEDs; only available for uplight and downlight	24L	23.45"	LT	13W	13 Watts, 1300 Lumens	DMV	120-277VAC 0-10V Dimming
					22W	22 Watts, 2200 Lumens	G120	ELV/TRIAC Dimming at 120V only
		48L	47.45"		26W	26 Watts, 2600 Lumens	D1MV	120-277VAC 0-10V Dimming (dim to 1%)
					38W	38 Watts, 3800 Lumens	SRMV	120-277VAC Phillips Sensor-Ready
					45W	45 Watts, 4500 Lumens	DALMV	120-277VAC DALI Dimming
		96L	95.45"		52W	52 Watts, 2600 Lumens		
					76W	76 Watts, 7600 Lumens		
					90W	90 Watts, 9000 Lumens		

FINISH ²		CCT/CRI ³		CONFIGURATION		EMERGENCY		OPTIONS	
								SENSOR	
WH	White	30K	3000K 80 CRI	Blank	Individual	EM14	14W Emergency battery backup (integrated in fixtures 4' and longer)	SS	On/Off Sensor
BK	Black	35K	3500K 80 CRI	-B	Beginner Run			SV	Bi-Level Sensor
SL	Silver	40K	4000K 80 CRI	-E	Ender Run			SD	Daylight Harvesting Sensor
**	Custom Color	40K	4000K 80 CRI	-J	Joiner			SM	Microwave Sensor
		50K	5000K 80 CRI						
		930K	3000K 90 CRI						
		935K	3500K 90 CRI						
		940K	4000K 90 CRI						

Note:

1. Programmable LED drivers allow custom configured wattages and corresponding lumens.
2. RAL custom finishes available. Consult factory for more information or pricing requests.
3. Consult factory for 90 CRI 5000K availability.



Texas Fluorescents
Reinvented

CATALOG#: _____

PROJECT: _____

TYPE: _____

Series L23R

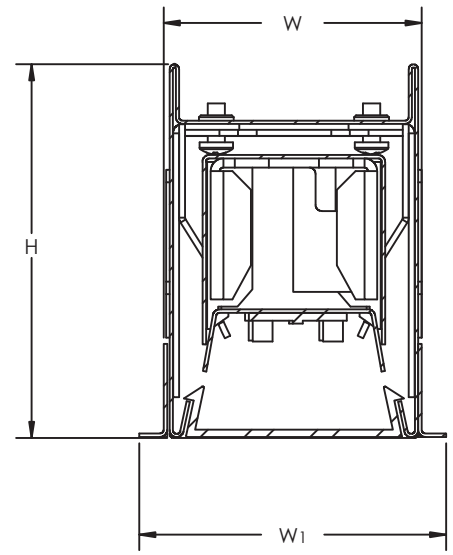
LED Recessed Linear Lines
2" X 3" for T Bar Ceiling

RECESSED MOUNT (G) DRAWINGS & DIMENSIONS

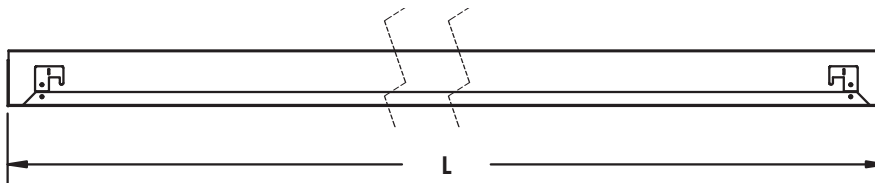
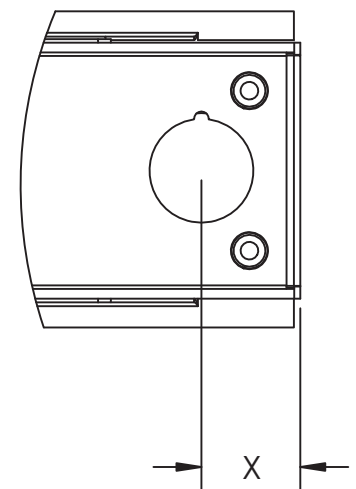
PART	L	W	W ₁	H	X
L23R24L	23.45"	2.00"	2.47"	3.08"	0.773"
L23R48L	47.45"	2.00"	2.47"	3.08"	0.773"
L23R72L	71.45"	2.00"	2.47"	3.08"	0.773"
L23R96L	95.45"	2.00"	2.47"	3.08"	0.773"

L-Length
W-Width
H-Height
X-Knock Out Distance

End Side View



End Top View



REPLACEMENT LENS ORDERING INFORMATION

PART NO.	DESCRIPTION
023RSF24L	Replacement Snap in Frosted lens for 24"
023RSF48L	Replacement Snap in Frosted lens for 48"
023RSF96L	Replacement Snap in Frosted lens for 96"