



Texas Fluorescents  
Reinvented

CATALOG#: \_\_\_\_\_  
PROJECT: \_\_\_\_\_  
TYPE: \_\_\_\_\_

# Series 66R

## LED Recessed Linear Fixture for T-Grid Ceiling

A linear 6 x 6 fixture for distinctive architectural lighting plans. Ideal for corridors, lobbies, and office areas, 6 x 6 Series fixtures can be installed individually or in a continuous run. Specially designed for direct light only with snap in lens to hide the LED arrays. Ideal for corridors, lobbies, and office areas, etc.

### CONSTRUCTION

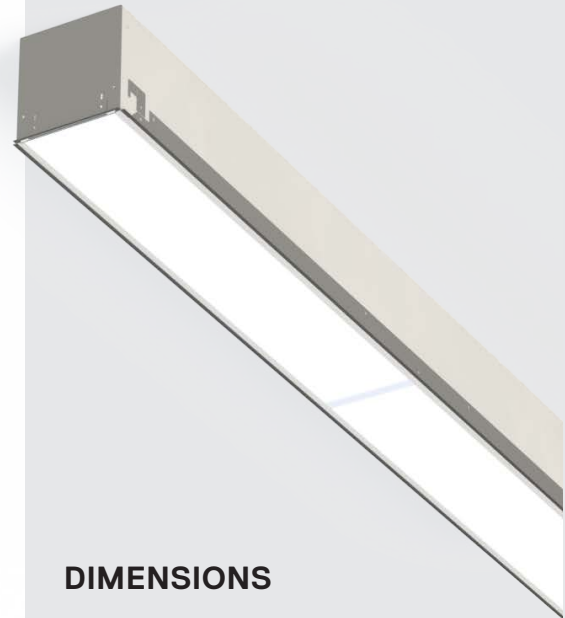
Die-formed and welded 22-gauge cold rolled steel. Knockouts on ends allow continuous wireway mounting. Housing is specially designed for smooth and uniform ambient lighting for all commercial and industrial buildings with recessed configurations.

### DIFFUSERS

Fixture accepts various lenses or louvers. 4' and 8' units have a steel mullion to join two individual diffusers.

### TYPICAL OPTIONS & ACCESSORIES

Cord sets, whips, occupancy sensors. Contact factory for more details.



### DIMENSIONS

4ft.-48"L x 5.75"W x 6"H  
8ft.-96"L x 5.75"W x 6"H

### FEATURES & BENEFITS

- Can be recessed mounted into ceiling.
- Consult factory for custom length or custom finish
- Can be used individually or in continuous row
- Light is continuous bringing a clean line
- Suitable for commercial or residential areas
- CRI >80 (90 CRI avail)
- >50,000 hrs of L70 LED life
- 0-10 Volt dimmable 120-277V (120 ELV/Triac avail)
- Power factor >0.90
- IC Rated for dry and damp locations
- 5 year warranty





Texas Fluorescents  
Reinvented

CATALOG#: \_\_\_\_\_

PROJECT: \_\_\_\_\_


TYPE: \_\_\_\_\_

# Series 66R

LED Recessed Linear Fixture  
for T-Grid Ceiling

## ORDER INFORMATION

Factory at your fingertips. Fill in the blanks to create your part number or create a custom configuration.

SENSOR	SERIES	LENS MATERIAL	LENGTH	WATTAGE & LUMENS	DRIVER	CRI	COLOR
<b>SS</b> Sensor - On/Off  <b>SV</b> Bi-level (xx)  <b>SD</b> Daylight Harvesting  	<b>66R</b> Recessed for T-Grid Ceiling  <b>66RW</b> Recessed for T-Grid Ceiling Wall Wash	<b>MW</b> Matte white lens (Only available for downlight)  <b>SF</b> Snap-in frosted acrylic lens (85% transmission) Special for LEDs; only available for uplight and downlight	<b>24L 24"</b>	<b>R12W</b> 12 Watts 1200 Lumens  <b>R24W</b> 24 Watts 2400 Lumens	<b>DMV</b> 0-10V Dimming <b>G120</b> ELV/Triac dimming at 120V only  <b>D1MV</b> 0-10V Dimming (only available with SS sensor)  <b>DMV(xx)</b> 0-10V Dimming (dim to 1%) (xx) for percentage of light output when not occupied. (required for SV sensor)	<b>Blank</b> 80 CRI <b>90</b> 90 CRI	<b>30K</b> 3000K <b>35K</b> 3500K <b>40K</b> 4000K <b>50K</b> 5000K
			<b>48L 48"</b>	<b>R24W</b> 24 Watts 2400 Lumens  <b>R48W</b> 48 Watts 4800 Lumens			
			<b>96L 96"</b>	<b>R48W</b> 48 Watts 4800 Lumens  <b>R96W</b> 96 Watts 9600 Lumens			

FINISH	CONFIGURATIONS	OPTIONS
<b>WH</b> White <b>BK</b> Black <b>SI</b> Silver	<b>Blank</b> Individual <b>-B</b> Beginner Run <b>-E</b> Ender Run <b>-J</b> Joiner	<b>CP</b> Chicago Plenum <b>EM</b> 10W Emergency battery backup (internal, excludes less than 4ft) <b>EM12</b> 12W Emergency battery backup (internal, excludes less than 4ft) <b>EM20</b> 20W Emergency battery backup (remote only)

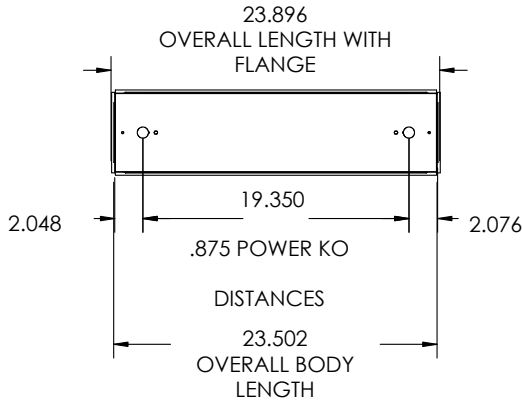
**Note:**

\*Programmable LED drivers allow custom configured wattages and corresponding lumens.

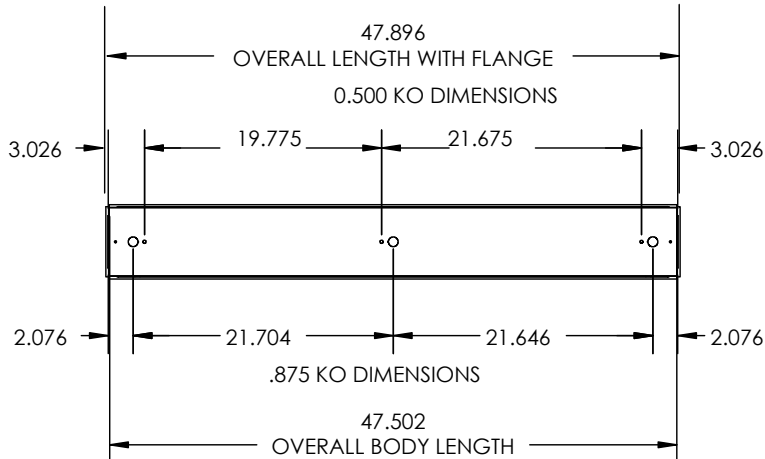
We reserve the right to change design, materials, LED's and finish in any way that will not alter installed appearance or reduce function and performance.

### DRAWINGS & IMAGES

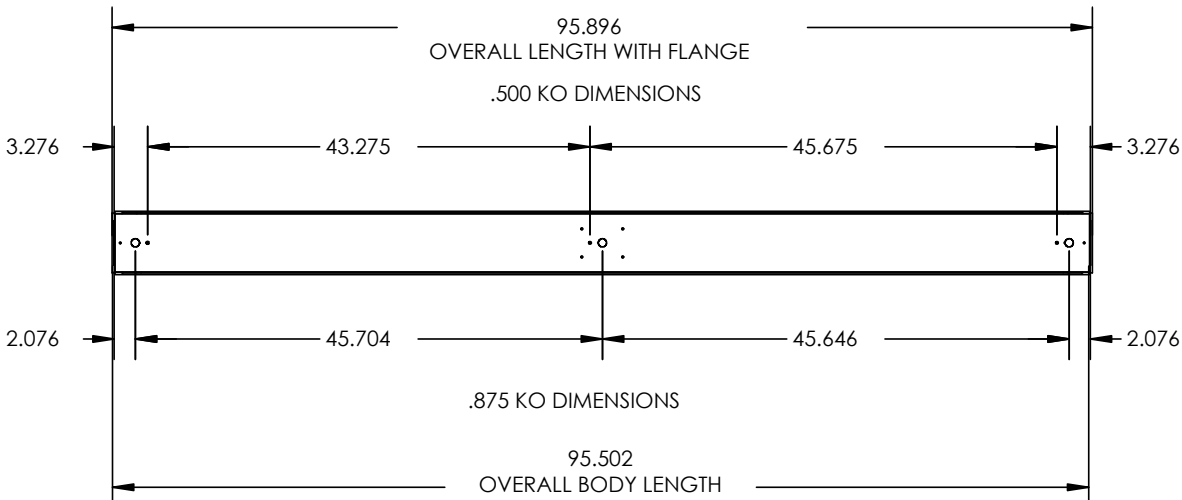
#### 2FT-R



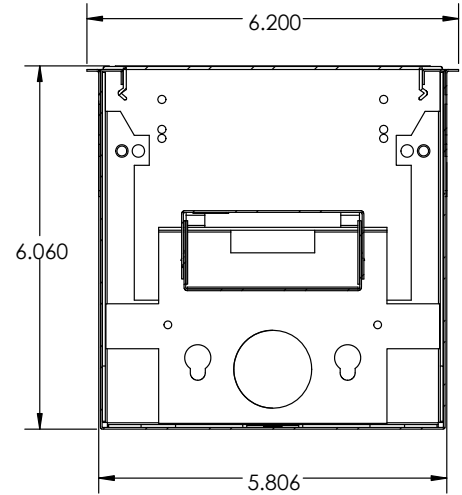
#### 4FT-R



#### 8FT-R



#### End Side View



### REPLACEMENT LENS ORDERING INFORMATION

PART NO.	DESCRIPTION
066RSF24L	Replacement Snap in Frosted lens for 24"
066RSF48L	Replacement Snap in Frosted lens for 48"
066RSF96L	Replacement Snap in Frosted lens for 96"