



Texas Fluorescents
Reinvented

CATALOG#: _____
PROJECT: _____
TYPE: _____

Series UCLL

LED Low Profile Center Basket Recessed

Low profile, center-lensed LED fixtures ideal for shallow plenum spaces. Specification grade, direct/indirect center diffuser luminaire provides smooth and uniform ambient lighting for all commercial and industrial buildings with recessed configurations. Reflected light from matte surface adds a softened “sky light” appearance to the modern office environment. Linear ribbed lens encloses the LED array and is designed to maximize efficiency and minimize glare.

CONSTRUCTION

Housing is die-formed and embossed 20 gauge steel. Luminaire body finish is high reflectance baked white enamel, with matte white reflectors. Wiring knockouts are provided on the back of housing and ends of fixture. Center diffuser snaps into place; no tools are required for removal. Diffuser is ribbed acrylic lens providing increased light output.

MOUNTING

Recessed inverted T-Bar ceilings. Grid mount or surface mount.



DIMENSIONS

- 1x1 - 11.85"L x 11.85"W x 3.25"H
- 1x2 - 24"L x 12"W x 3.25"H
- 1x4 - 47.8"L x 11.7"W x 3.25"H
- 2x2 - 24"L x 24"W x 3.25"H
- 2x4 - 48"L x 24"W x 3.25"H

FEATURES & BENEFITS

- Designed to minimize glare, producing a soft, "sky light" appearance for modern spaces
- Fifteen lumen packages/wattages across 5 fixture sizes
- Matte white reflective surfaces for soft, uniform light distribution
- Available in 4 color temperatures ranging from 3000K - 5000K
- For use in recessed inverted T-Bar or grid ceilings
- Specifically designed lens (C) for LED array to provide enhanced light transmission while minimizing glare and LED diode shadows
- Emergency battery backup available
- CRI >80 standard, 90 optional
- L70: >50,000 Hours
- Dimming: 0-10V 120-277V standard, 120 ELV/TRIAC optional
- Power factor >0.90
- IC Rated for dry and damp locations
- Chicago Plenum Compliant (Optional)
- 5 year warranty



ORDER INFORMATION

Factory at your fingertips. Fill in the blanks to create your part number or create a custom configuration.

SERIES	LENS MATERIAL	LENGTH	WATTAGE & LUMENS ¹	DRIVER
UC Center Basket Grid Mount UCR Center Basket w/Air Return SSUC Center Basket Sensor - On/Off SVUC Center Basket Bi-Level (xx) SDUC Center Basket Daylight Harvesting	LL Linear Ribbed Lens PF Perforated Basket ⁴	11L³ 11.85" x 11.85"	Y11W 11 Watts, 1250 Lumens Y22W 22 Watts, 2500 Lumens	DMV 0-10V Dimming G120 ELV/TRIAC Dimming at 120V only
		12L³ 12" x 24"	Y24W 24 Watts, 2700 Lumens Y32W 32 Watts, 3600 Lumens	D1MV 0-10V Dimming (dim to 1%) (only available with SS sensor)
		14L 11.7" x 47.8"	Y15W 15 Watts, 1950 Lumens Y20W 20 Watts, 2600 Lumens Y25W 25 Watts, 3250 Lumens Y33W 33 Watts, 4290 Lumens	DMV(xx) 0-10V Dimming (xx) for percentage of light output when not occupied. (required for SV sensor)
		22L 24" x 24"	Y15W 15 Watts, 1950 Lumens Y20W 20 Watts, 2600 Lumens Y25W 25 Watts, 3250 Lumens Y33W 33 Watts, 4290 Lumens	
		24L 24" x 48"	Y20W 20 Watts, 2880 Lumens Y25W 25 Watts, 3600 Lumens Y30W 30 Watts, 4320 Lumens Y35W 35 Watts, 5040 Lumens Y40W 40 Watts, 5760 Lumens Y45W 45 Watts, 6480 Lumens Y50W 50 Watts, 7200 Lumens Y54W 54 Watts, 7780 Lumens	



Smart Sensor

⁴ Note: Lumen output falls to approximately 60% with the perforated basket, as compared with the linear lens lumen levels stated at right.

COLOR/CRI ²	OPTIONS
30K 3000K 80 CRI	WP 6 ft. 3 wire 18 gauge whip (non-dimming) GK1 Single gasket (lens to door frame)
35K 3500K 80 CRI	WP4 6 ft. 4 wire 18 gauge whip (non-dimming EM) GK2 Double gasket (lens/frame + frame to troffer)
40K 4000K 80 CRI	WP5W 6 ft. 5 wire 18 gauge whip GK3 Triple gasket (lens/frame + frame/troffer + troffer to T-grid)
50K 5000K 80 CRI	WP6W 6 ft. 6 wire 18 gauge whip (dimming EM) FIK1x4 1x4 Frame-in-kit
930K 3000K 90 CRI	EM Integrated 10W Emergency battery backup (excludes 1x4, 1x2, and 1x1) FIK2x2 2x2 Frame-in-kit
935K 3500K 90 CRI	EM12 12W Emergency battery backup (remote only) FIK2x4 2x4 Frame-in-kit
940K 4000K 90 CRI	EM20 20W Emergency battery backup (remote only) CP Chicago Plenum Compliant (Optional)
950K 5000K 90 CRI	

Note:

¹Programmable LED drivers allow custom configured wattages and corresponding lumen.

²Consult factory for 90 CRI 5000K availability.

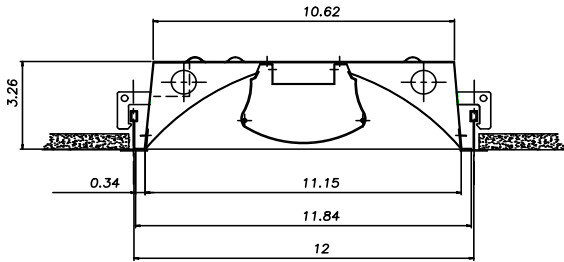
³Custom size. Remote EM only. Not available for sensor options. Consult factory for lead time.

Values shown are typical or recorded under standardized conditions at 25°C. Actual performance may vary based environment or application. Specifications are subject to change without notice. We reserve the right to change design, materials, LED's and finish in any way that will not alter installed appearance or reduce function and performance.

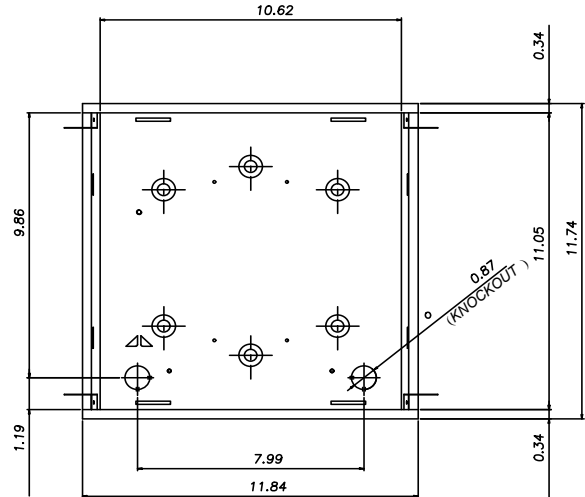
DRAWINGS & IMAGES

SIDE

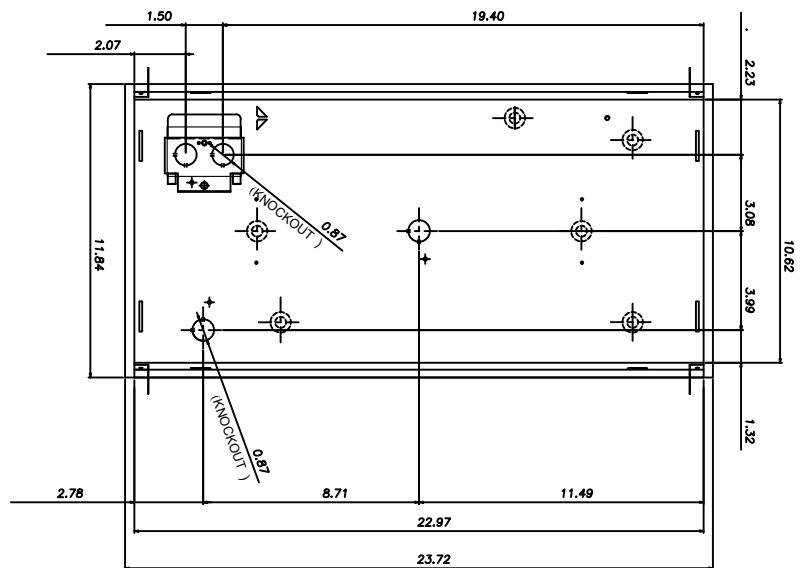
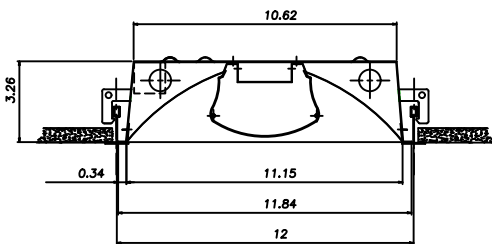
1X1



BACK



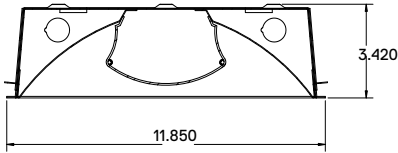
1X2



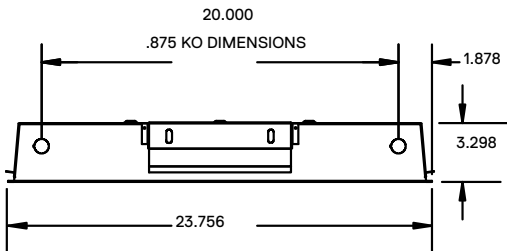
DRAWINGS & IMAGES

SIDE

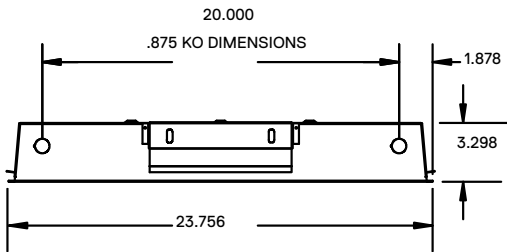
1x4



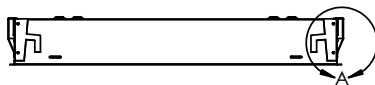
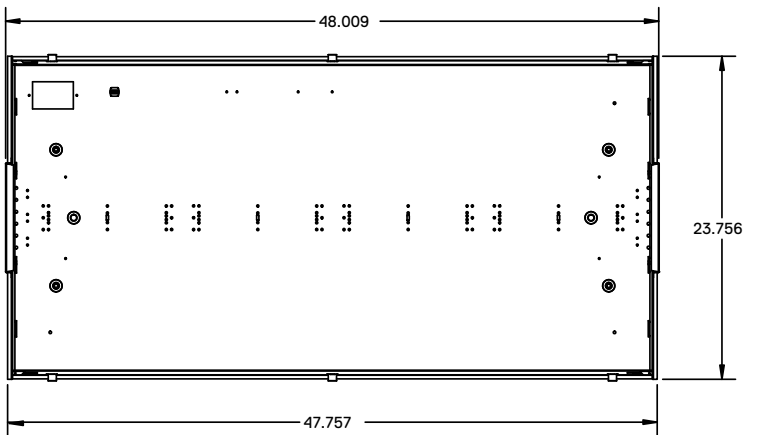
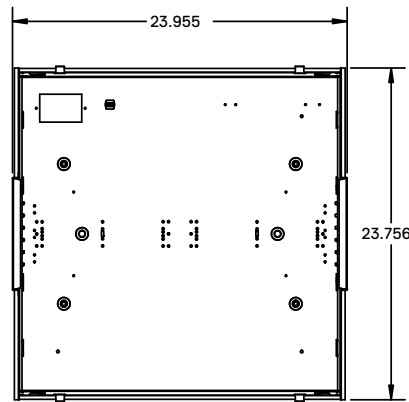
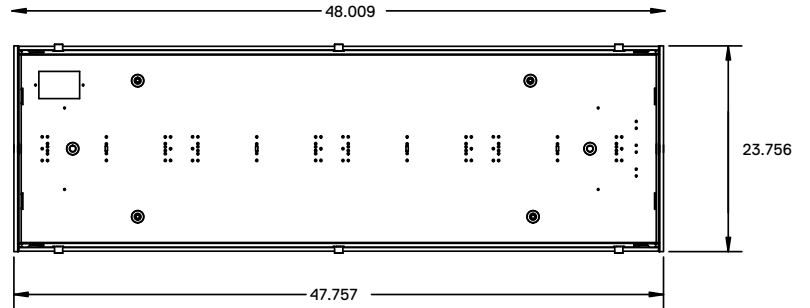
2x2



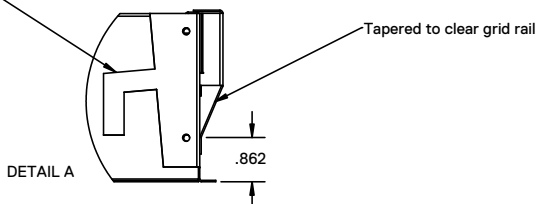
2x4



BACK



Bend out to engage earthquake hook



Replacement Lens Ordering Information

Series	Descriptions
0UCLL1x4	Replacement lens for 1x4
0UCLL2x2	Replacement lens for 2x2
0UCLL2x4	Replacement lens for 2x4



Texas Fluorescents
Reinvented



DLC Listed Items

CATALOG#:

PROJECT:

TYPE:

Series UCLL

LED Low Profile Center Basket
Recessed

1X4 ITEM NUMBER	2X4 ITEM NUMBER
-----------------	-----------------

(SS,SV,SD,SM)UCLL14LY15W(D,G,DALI,DEXAL,SR)(MV or 120)30Koooo
 (SS,SV,SD,SM)UCLL14LY15W(D,G,DALI,DEXAL,SR)(MV or 120)35Koooo
 (SS,SV,SD,SM)UCLL14LY15W(D,G,DALI,DEXAL,SR)(MV or 120)40Koooo
 (SS,SV,SD,SM)UCLL14LY15W(D,G,DALI,DEXAL,SR)(MV or 120)50Koooo
 (SS,SV,SD,SM)UCLL14LY20W(D,G,DALI,DEXAL,SR)(MV or 120)30Koooo
 (SS,SV,SD,SM)UCLL14LY20W(D,G,DALI,DEXAL,SR)(MV or 120)35Koooo
 (SS,SV,SD,SM)UCLL14LY20W(D,G,DALI,DEXAL,SR)(MV or 120)40Koooo
 (SS,SV,SD,SM)UCLL14LY20W(D,G,DALI,DEXAL,SR)(MV or 120)50Koooo
 (SS,SV,SD,SM)UCLL14LY25W(D,G,DALI,DEXAL,SR)(MV or 120)30Koooo
 (SS,SV,SD,SM)UCLL14LY25W(D,G,DALI,DEXAL,SR)(MV or 120)35Koooo
 (SS,SV,SD,SM)UCLL14LY25W(D,G,DALI,DEXAL,SR)(MV or 120)40Koooo
 (SS,SV,SD,SM)UCLL14LY25W(D,G,DALI,DEXAL,SR)(MV or 120)50Koooo
 (SS,SV,SD,SM)UCLL14LY33W(D,G,DALI,DEXAL,SR)(MV or 120)30Koooo
 (SS,SV,SD,SM)UCLL14LY33W(D,G,DALI,DEXAL,SR)(MV or 120)35Koooo
 (SS,SV,SD,SM)UCLL14LY33W(D,G,DALI,DEXAL,SR)(MV or 120)40Koooo
 (SS,SV,SD,SM)UCLL14LY33W(D,G,DALI,DEXAL,SR)(MV or 120)50Koooo

(SS,SV,SD,SM)UCLL24LY20W(D,G,DALI,DEXAL,SR)(MV or 120)30Koooo
 (SS,SV,SD,SM)UCLL24LY20W(D,G,DALI,DEXAL,SR)(MV or 120)35Koooo
 (SS,SV,SD,SM)UCLL24LY20W(D,G,DALI,DEXAL,SR)(MV or 120)40Koooo
 (SS,SV,SD,SM)UCLL24LY20W(D,G,DALI,DEXAL,SR)(MV or 120)50Koooo
 (SS,SV,SD,SM)UCLL24LY25W(D,G,DALI,DEXAL,SR)(MV or 120)30Koooo
 (SS,SV,SD,SM)UCLL24LY25W(D,G,DALI,DEXAL,SR)(MV or 120)35Koooo
 (SS,SV,SD,SM)UCLL24LY25W(D,G,DALI,DEXAL,SR)(MV or 120)40Koooo
 (SS,SV,SD,SM)UCLL24LY25W(D,G,DALI,DEXAL,SR)(MV or 120)50Koooo
 (SS,SV,SD,SM)UCLL24LY30W(D,G,DALI,DEXAL,SR)(MV or 120)30Koooo
 (SS,SV,SD,SM)UCLL24LY30W(D,G,DALI,DEXAL,SR)(MV or 120)35Koooo
 (SS,SV,SD,SM)UCLL24LY30W(D,G,DALI,DEXAL,SR)(MV or 120)40Koooo
 (SS,SV,SD,SM)UCLL24LY30W(D,G,DALI,DEXAL,SR)(MV or 120)50Koooo
 (SS,SV,SD,SM)UCLL24LY35W(D,G,DALI,DEXAL,SR)(MV or 120)30Koooo
 (SS,SV,SD,SM)UCLL24LY35W(D,G,DALI,DEXAL,SR)(MV or 120)35Koooo
 (SS,SV,SD,SM)UCLL24LY35W(D,G,DALI,DEXAL,SR)(MV or 120)40Koooo
 (SS,SV,SD,SM)UCLL24LY35W(D,G,DALI,DEXAL,SR)(MV or 120)50Koooo
 (SS,SV,SD,SM)UCLL24LY40W(D,G,DALI,DEXAL,SR)(MV or 120)30Koooo
 (SS,SV,SD,SM)UCLL24LY40W(D,G,DALI,DEXAL,SR)(MV or 120)35Koooo
 (SS,SV,SD,SM)UCLL24LY40W(D,G,DALI,DEXAL,SR)(MV or 120)40Koooo
 (SS,SV,SD,SM)UCLL24LY40W(D,G,DALI,DEXAL,SR)(MV or 120)50Koooo
 (SS,SV,SD,SM)UCLL24LY45W(D,G,DALI,DEXAL,SR)(MV or 120)30Koooo
 (SS,SV,SD,SM)UCLL24LY45W(D,G,DALI,DEXAL,SR)(MV or 120)35Koooo
 (SS,SV,SD,SM)UCLL24LY45W(D,G,DALI,DEXAL,SR)(MV or 120)45Koooo
 (SS,SV,SD,SM)UCLL24LY45W(D,G,DALI,DEXAL,SR)(MV or 120)50Koooo
 (SS,SV,SD,SM)UCLL24LY50W(D,G,DALI,DEXAL,SR)(MV or 120)30Koooo
 (SS,SV,SD,SM)UCLL24LY50W(D,G,DALI,DEXAL,SR)(MV or 120)35Koooo
 (SS,SV,SD,SM)UCLL24LY50W(D,G,DALI,DEXAL,SR)(MV or 120)40Koooo
 (SS,SV,SD,SM)UCLL24LY50W(D,G,DALI,DEXAL,SR)(MV or 120)50Koooo
 (SS,SV,SD,SM)UCLL24LY54W(D,G,DALI,DEXAL,SR)(MV or 120)30Koooo
 (SS,SV,SD,SM)UCLL24LY54W(D,G,DALI,DEXAL,SR)(MV or 120)35Koooo
 (SS,SV,SD,SM)UCLL24LY54W(D,G,DALI,DEXAL,SR)(MV or 120)40Koooo
 (SS,SV,SD,SM)UCLL24LY54W(D,G,DALI,DEXAL,SR)(MV or 120)50Koooo

2X2 ITEM NUMBER

(SS,SV,SD,SM)UCLL22LY15W(D,G,DALI,DEXAL,SR)(MV or 120)30Koooo
 (SS,SV,SD,SM)UCLL22LY15W(D,G,DALI,DEXAL,SR)(MV or 120)35Koooo
 (SS,SV,SD,SM)UCLL22LY15W(D,G,DALI,DEXAL,SR)(MV or 120)40Koooo
 (SS,SV,SD,SM)UCLL22LY15W(D,G,DALI,DEXAL,SR)(MV or 120)50Koooo
 (SS,SV,SD,SM)UCLL22LY20W(D,G,DALI,DEXAL,SR)(MV or 120)30Koooo
 (SS,SV,SD,SM)UCLL22LY20W(D,G,DALI,DEXAL,SR)(MV or 120)35Koooo
 (SS,SV,SD,SM)UCLL22LY20W(D,G,DALI,DEXAL,SR)(MV or 120)40Koooo
 (SS,SV,SD,SM)UCLL22LY20W(D,G,DALI,DEXAL,SR)(MV or 120)50Koooo
 (SS,SV,SD,SM)UCLL22LY25W(D,G,DALI,DEXAL,SR)(MV or 120)30Koooo
 (SS,SV,SD,SM)UCLL22LY25W(D,G,DALI,DEXAL,SR)(MV or 120)35Koooo
 (SS,SV,SD,SM)UCLL22LY25W(D,G,DALI,DEXAL,SR)(MV or 120)40Koooo
 (SS,SV,SD,SM)UCLL22LY25W(D,G,DALI,DEXAL,SR)(MV or 120)50Koooo
 (SS,SV,SD,SM)UCLL22LY33W(D,G,DALI,DEXAL,SR)(MV or 120)30Koooo
 (SS,SV,SD,SM)UCLL22LY33W(D,G,DALI,DEXAL,SR)(MV or 120)35Koooo
 (SS,SV,SD,SM)UCLL22LY33W(D,G,DALI,DEXAL,SR)(MV or 120)40Koooo
 (SS,SV,SD,SM)UCLL22LY33W(D,G,DALI,DEXAL,SR)(MV or 120)50Koooo