



JOB NAME:

CAT#:

TYPE:

### APPLICATIONS

The RDIS LED is a specification grade, Volumetric Recessed LED Luminaire which provides smooth and uniform ambient lighting for all commercial and industrial buildings with recessed configurations. Reflected light from matte surfaces provide a softened appearance to the modern office environment.

Housing is die-formed and embossed code 22 gauge steel. Luminaire body finish is high reflectance baked white enamel, with matte white reflectors. Wiring knockouts are provided on the back of housing. Earthquake clips are standard. Center diffuser snaps into place; no tools are required for removal. Listed by and bears ETL label.

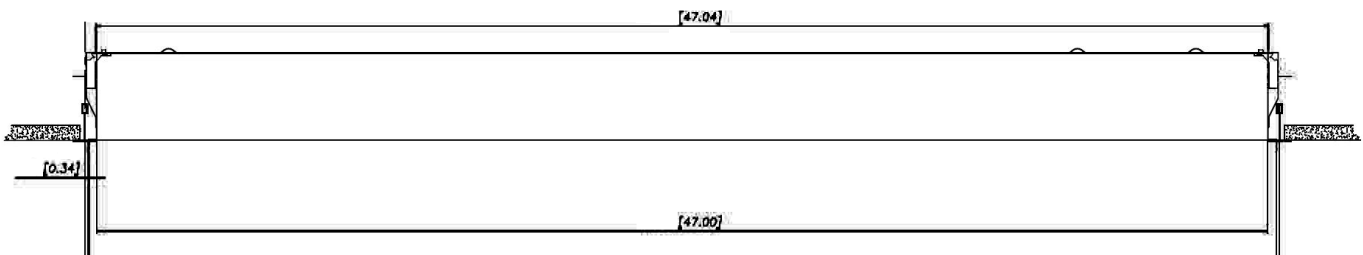
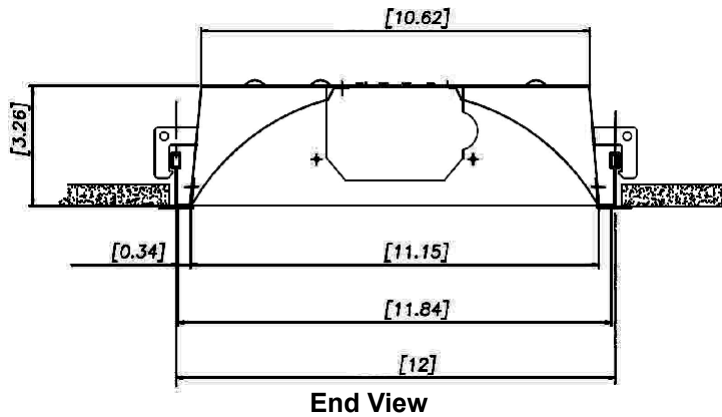


### FEATURES & BENEFITS

- Volumetric recessed luminaire provides a low glare light source
- Matte white reflective surface for soft, uniform light distribution
- Multiple diffuser options available
- Min CRI 82
- IC Rated
- Easy access plate for quick wiring
- <sub>c</sub>ETL<sub>us</sub> listed for damp locations up to 67 watts
- DLC listed on certain models
- 5 year warranty

### DIMENSIONS

**1x4**





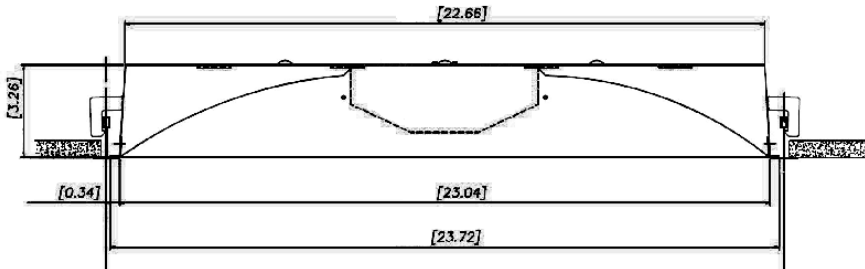
JOB NAME:

CAT#:

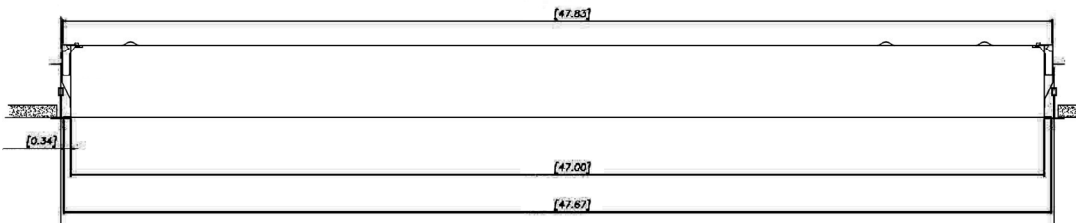
TYPE:

**DIMENSIONS**

**2x4**

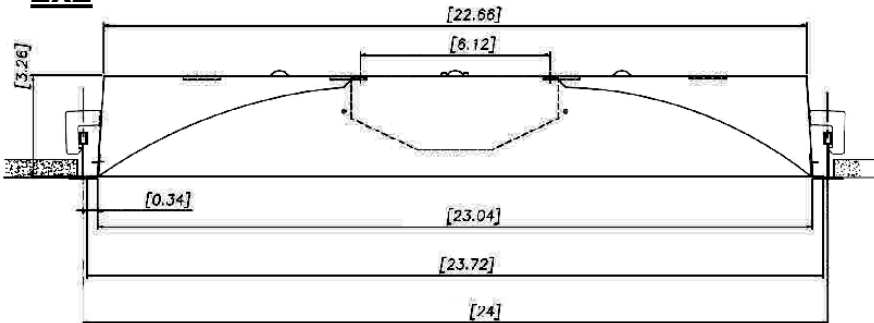


End View

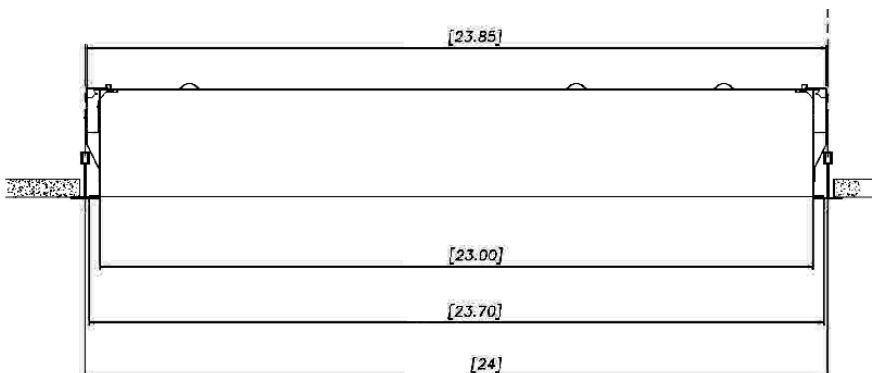


Side View

**2x2**



End View



Side View





JOB NAME:

CAT#:

TYPE:

**ORDERING**

EXAMPLE: REDIS 14 LED 28 DMV FR 30 EM SS WP

REDIS		LED							
1. SERIES	2. SIZE	3. GEAR	4. WATTAGE/LUMENS		5. DRIVER	6. LENS/BASKET		7. COLOR TEMP	
<b>REDIS</b>	<b>14</b> 1x4 Nominal	<b>LED</b>	<b>1x4</b>		<b>DMV</b> 120-277V Multivolt 0-10V Dimmable	<b>FR</b> Frosted <b>PF</b> Perforated Basket w/ inlay	<b>30</b> 3000K <b>35</b> 3500K <b>40</b> 4000K <b>50</b> 5000K		
	<b>22</b> 2x2 Nominal		<b>15</b> 15 Watts 1950 Lumens	<b>SDMV</b> Step dimming Multivolt					
	<b>24</b> 2x4 Nominal		<b>20</b> 20 Watts 2600 Lumens					<b>D347</b> 347VAC 0-10V Dimming	
			<b>25</b> 25 Watts 3250 Lumens			<b>TDMV</b> Triac Dimming 120-277VAC			
			<b>33</b> 33 Watts 4290 Lumens	<b>D120</b> Triac Dimming 120VAC					
			<b>20</b> 20 Watts 2880 Lumens			<b>D277</b> Triac Dimming 277VAC			
			<b>25</b> 25 Watts 3600 Lumens						
			<b>30</b> 30 Watts 4320 Lumens						
			<b>35</b> 35 Watts 5040 Lumens						
			<b>40</b> 40 Watts 5760 Lumens						
			<b>45</b> 45 Watts 6480 Lumens						
			<b>50</b> 50 Watts 7200 Lumens						
			<b>54</b> 54 Watts 7780 Lumens						
				<b>2x4</b>					
				<b>2x2</b>					
		<b>15</b> 15 Watts 1950 Lumens							
		<b>20</b> 20 Watts 2600 Lumens							
		<b>25</b> 25 Watts 3250 Lumens							
		<b>33</b> 33 Watts 4290 Lumens							

8. EMERGENCY (O) <sup>1</sup>		9. SENSOR (O) <sup>1</sup>		10. CORD (O) <sup>1</sup>	
<b>EM</b>	Emergency Battery Pack 10W ~ 1700 Lumens	<b>SS</b>	Integrated Sensor	<b>WP</b>	6' 3 Wire Flexible Conduit
<b>EM7</b>	Emergency Battery Pack 7W ~ 1300 Lumens				
<b>EM5</b>	Emergency Battery Pack 5W ~ 850 Lumens				

**Notes:**  
<sup>1</sup>(O) is optional

**NOTE:** Values shown are typical or recorded under standardized conditions at 25°C. Actual performance may vary based on environment or application. Specifications are subject to change without notice. We reserve the right to change design, materials, LED's and finish in any way that will not alter installed appearance or reduce function and performance.





JOB NAME:

CAT#:

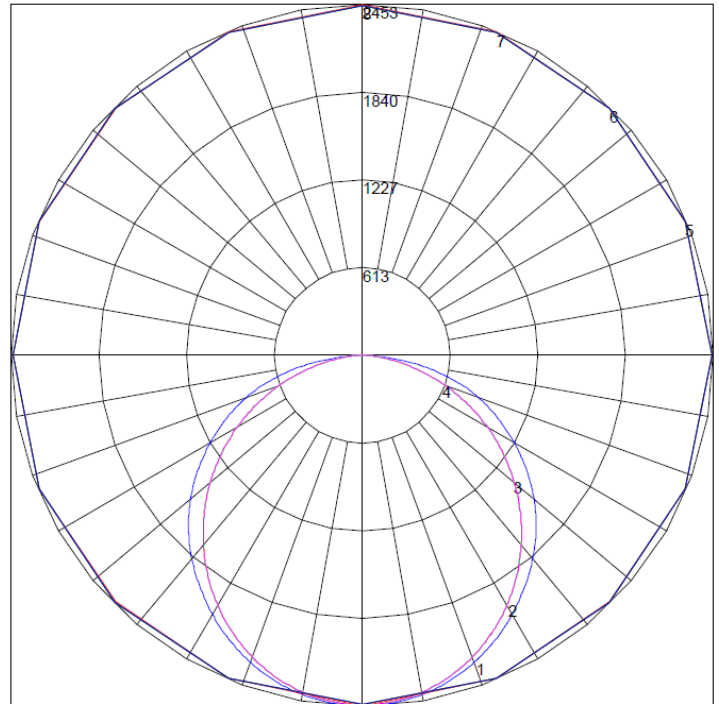
TYPE:

# PHOTOMETRICS

## RDIS24-LED54FRDMV30

Spacing Criterion (0-180) 1.24  
Spacing Criterion (90-270) 1.28

POLAR GRAPH



Maximum Candela = 2453 Located At Horizontal Angle = 90, Vertical Angle = .5  
# 1 - Vertical Plane Through Horizontal Angles (90 - 270) (Through Max. Cd.)

### COEFFICIENTS OF UTILIZATION - ZONAL CAVITY METHOD

Effective Floor Cavity Reflectance 0.20

RC	80				70				50			30			10			0
RW	70	50	30	10	70	50	30	10	50	30	10	50	30	10	50	30	10	0
0	119	119	119	119	116	116	116	116	111	111	111	106	106	106	102	102	102	100
1	108	103	99	95	106	101	97	93	97	93	90	93	90	88	89	87	85	83
2	98	90	82	77	95	88	81	76	84	79	74	81	76	72	78	74	71	68
3	89	78	70	63	87	77	69	63	74	67	61	71	65	60	68	64	59	57
4	82	69	60	53	79	68	59	53	65	58	52	63	57	51	61	55	51	48
5	75	62	53	46	73	61	52	45	58	51	45	56	50	44	55	49	44	42
6	69	55	46	40	67	55	46	40	53	45	39	51	44	39	49	43	39	36
7	64	50	41	35	62	49	41	35	48	40	35	46	40	34	45	39	34	32
8	60	46	37	31	58	45	37	31	44	36	31	43	36	31	41	35	31	29
9	56	42	34	28	54	41	33	28	40	33	28	39	32	28	38	32	28	26
10	52	39	31	25	51	38	31	25	37	30	25	36	30	25	35	29	25	23





JOB NAME:

CAT#:

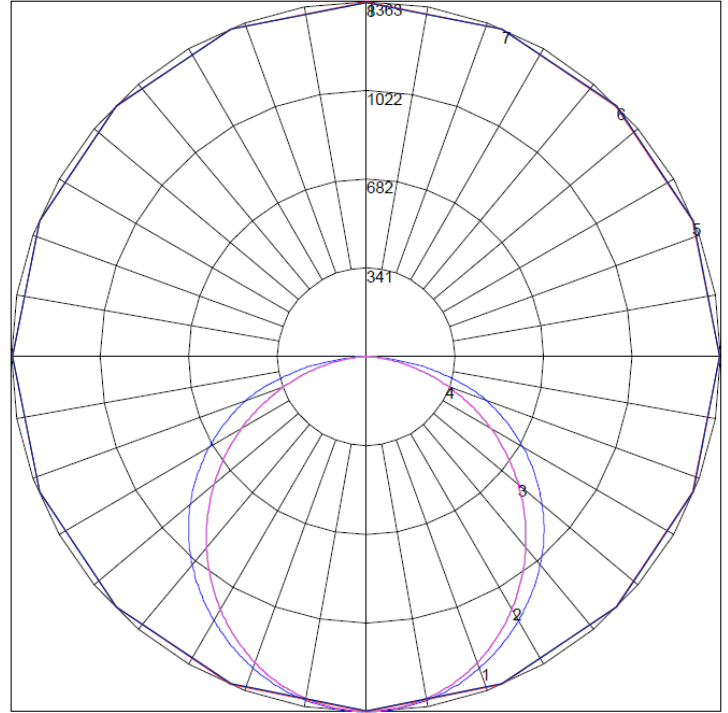
TYPE:

# PHOTOMETRICS

POLAR GRAPH

## RDIS22-LED33DMVFR30

Spacing Criterion (0-180) 1.24  
Spacing Criterion (90-270) 1.30



Maximum Candela = 1363 Located At Horizontal Angle = 90, Vertical Angle = .5

## COEFFICIENTS OF UTILIZATION - ZONAL CAVITY METHOD

Effective Floor Cavity Reflectance 0.20

RC	80				70				50			30			10			0
	70	50	30	10	70	50	30	10	50	30	10	50	30	10	50	30	10	0
0	119	119	119	119	116	116	116	116	111	111	111	106	106	106	102	102	102	100
1	108	103	99	95	106	101	97	93	97	94	91	93	90	88	89	87	85	83
2	98	90	83	77	96	88	81	76	84	79	74	81	76	72	78	74	71	69
3	89	79	70	63	87	77	69	63	74	67	62	71	65	61	69	64	60	57
4	82	69	60	54	79	68	60	53	66	58	52	63	57	52	61	55	51	49
5	75	62	53	46	73	61	52	46	59	51	45	57	50	45	55	49	44	42
6	69	56	47	40	67	55	46	40	53	45	39	51	44	39	50	43	39	37
7	64	50	41	35	62	50	41	35	48	40	35	47	40	35	45	39	34	32
8	60	46	37	31	58	45	37	31	44	36	31	43	36	31	41	35	31	29
9	56	42	34	28	54	42	34	28	40	33	28	39	33	28	38	32	28	26
10	52	39	31	26	51	38	31	25	37	30	25	36	30	25	35	29	25	23

