



Texas Fluorescents
Reinvented

CATALOG#: _____
PROJECT: _____
TYPE: _____

Series L34R

LED Recessed Mount Linear Fixture

Full body micro silhouette makes a bold statement with a minimal design in post-painted in powder coated flat white polyester finish (consult factory for other finishes). Scaled to the LED module the matte white diffuser surrounds the LEDs for soft lighting. Fixture can be recessed mounted on grid ceiling or pendant mounted with specially engineering cable mounting kit. See pendant specification sheet for details.

CONSTRUCTION

Die-formed and welded 22-gauge cold rolled steel. Easy to install. Fixtures are designed for individually or in continuous runs.

DIFFUSERS

Special LED formulated frosted lenses with snap in feature for easy access.

TYPICAL OPTIONS & ACCESSORIES

Cord sets, whips, occupancy sensors, etc. Contact factory for more details.



DIMENSIONS

- 2ft.-24"L x 2.375"W x 3.25"H
- 4ft.-48"L x 2.375"W x 3.25"H
- 8ft.-96"L x 2.375"W x 3.25"H

FEATURES & BENEFITS

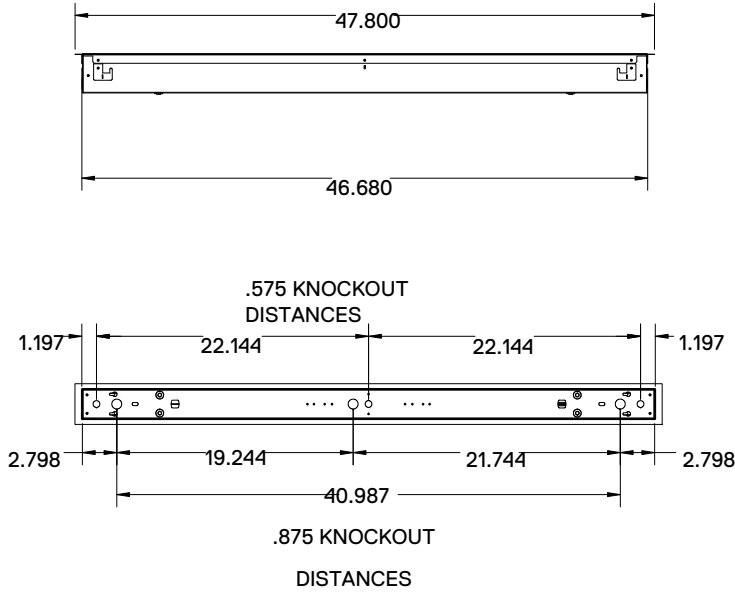
- Can be recessed mounted to the T-grid, sheet rock, dry wall ceilings, etc
- Attractive source of direct lighting for any indoor applications
- Integral driver, snap-fit lens
- Easy installation
- Available in custom finish. Consult factory for details.
- 50,000 hrs of L70 LED life
- CRI >80
- 0-10 Volt dimmable 120-277V or Triac/ELV dimming at 120V
- Power factor 0.99
- IC rated for dry or damp location
- 5 year warranty



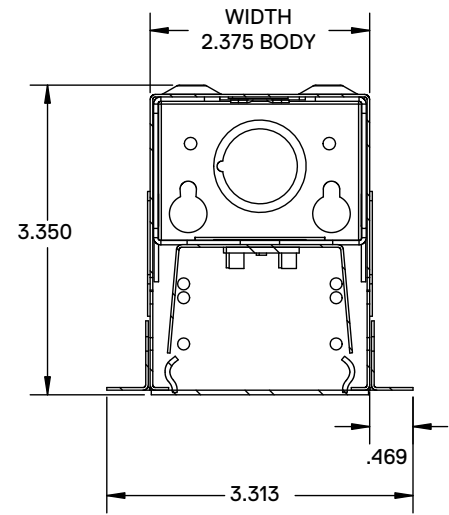
L34R

DRAWINGS AND DIMENSIONS

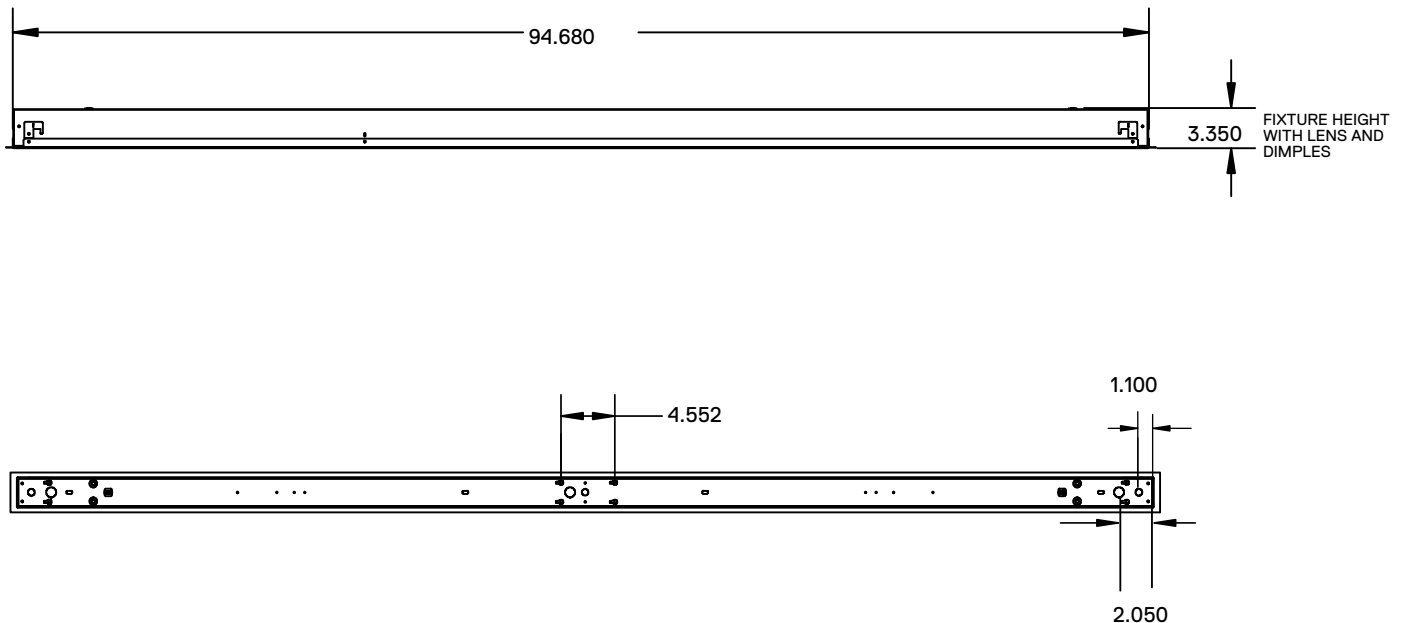
4 ft. - Back View



END VIEW



8 ft. - Back View

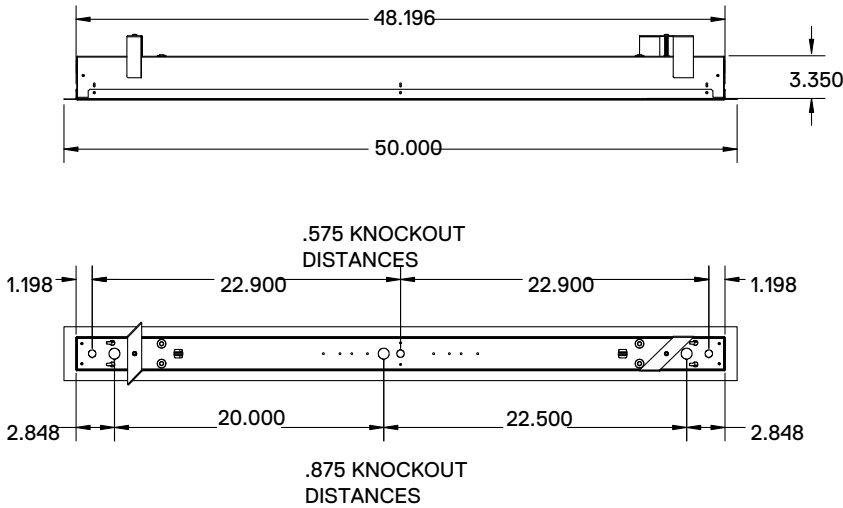


We reserve the right to change design, materials, LED's and finish in any way that will not alter installed appearance or reduce function and performance.

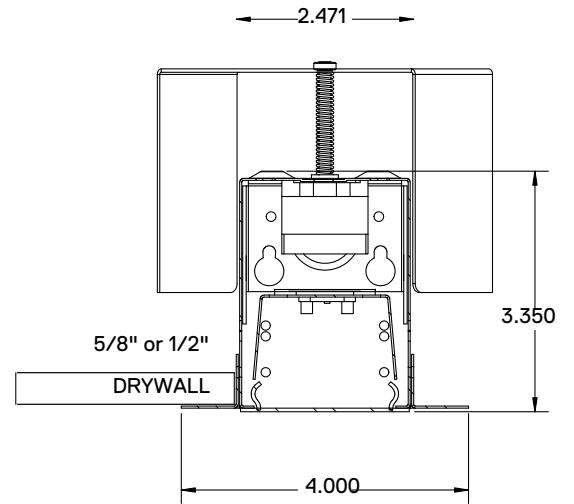
L34RF

DRAWINGS AND DIMENSIONS

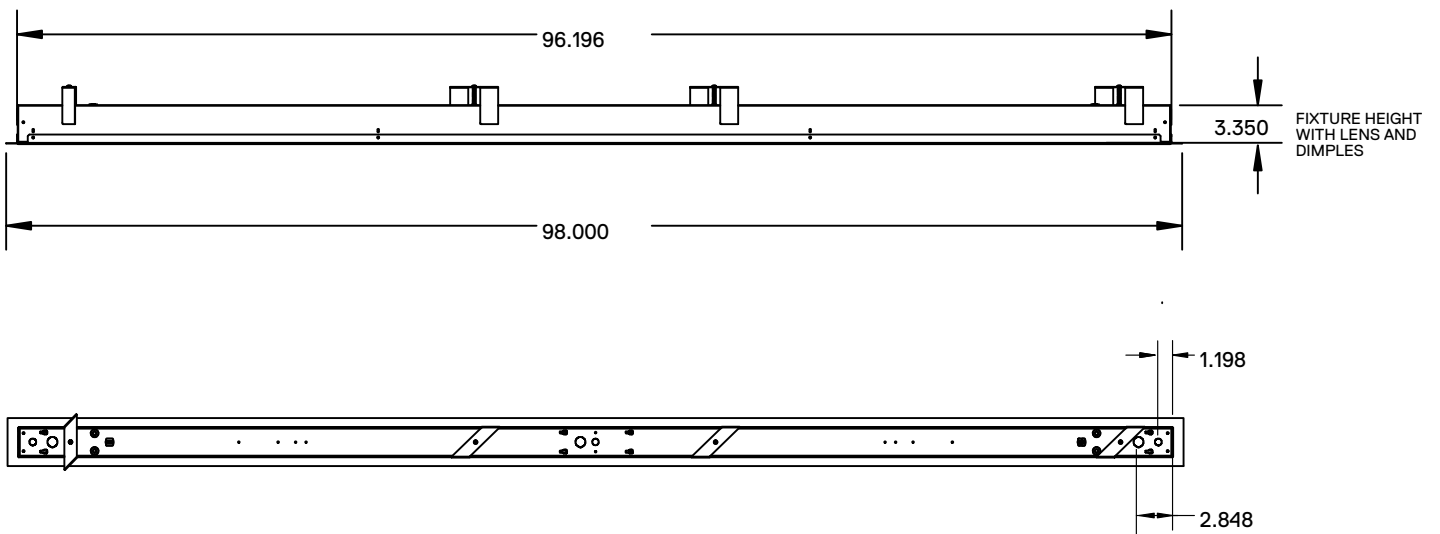
4 ft. - Back View



END VIEW



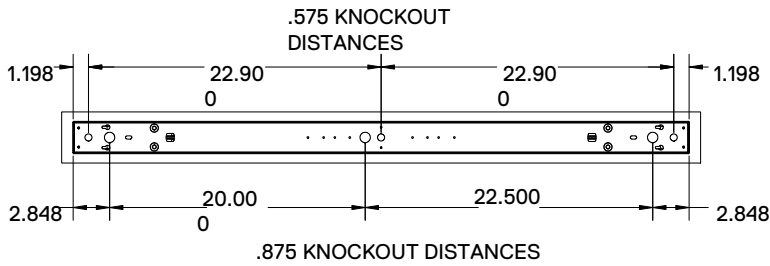
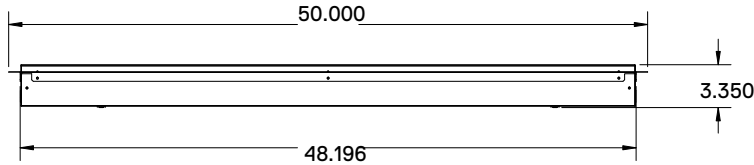
8 ft. - Back View



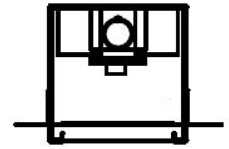
We reserve the right to change design, materials, LED's and finish in any way that will not alter installed appearance or reduce function and performance.

DRAWINGS AND DIMENSIONS

4 ft. - Back View

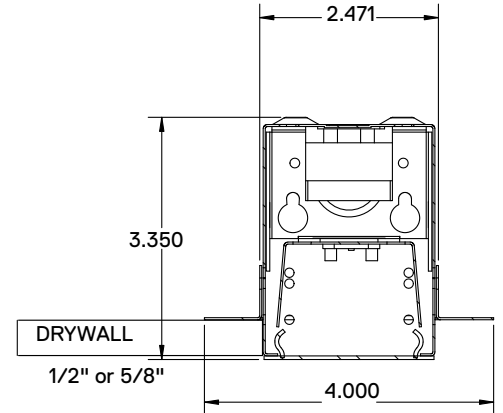


Type RR
**Recess for Drywall/
Hard Ceiling**
-RR (1/2 inch)
-RR650 (5/8 inch)
-RRxxx (custom depth)

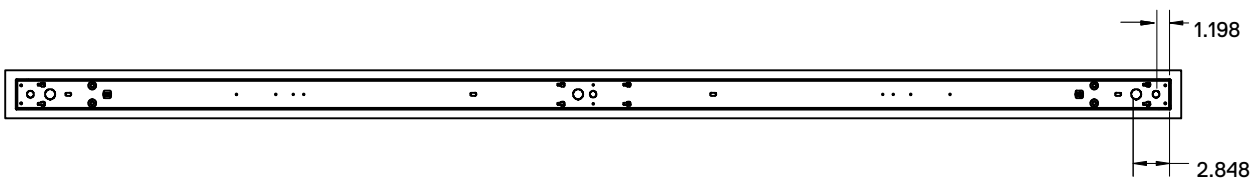
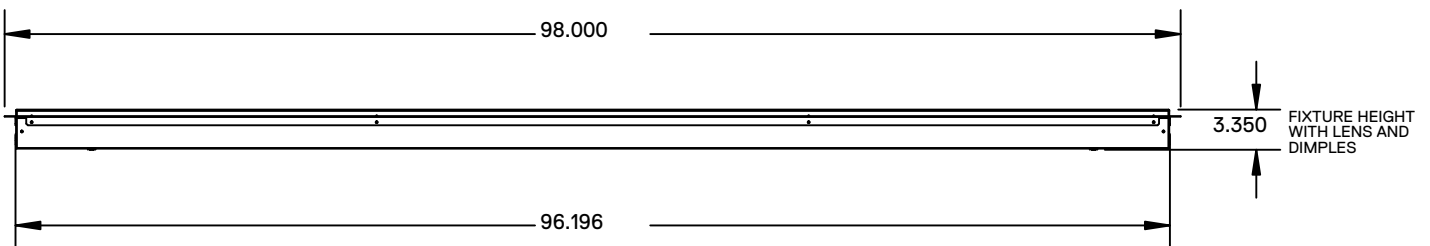


**Flangeless
Appearance**

END VIEW



8 ft. - Back View



We reserve the right to change design, materials, LED's and finish in any way that will not alter installed appearance or reduce function and performance.



Texas Fluorescents
Reinvented

CATALOG#: _____
PROJECT: _____
TYPE: _____

Series L34R

LED Recessed Mount
Linear Fixture

ORDERING INFORMATION

SERIES	LENS MATERIAL	SIZE	WATTAGE & LUMENS		DRIVER	CRI	CCT
L34R Recessed for T-Grid Ceiling	SF Snap in Frosted Lens	24L 24"	T13W	13 Watts 1300 Lumens	DMV G120 0-10V Dimming ELV/Triac dimming at 120V only	Blank 80CRI 9 90CRI	30K 3000K
			T22W	22 Watts 2200 Lumens			35K 3500K 40K 4000K 50K 5000K
L34RR 1/2" Recess Flanged For Before Drywall Flangeless Appearance	SF Snap in Frosted Lens	48L 48"	T26W	26 Watts 2600 Lumens	D1MV 0-10V Dimming (only available with SS sensor)	Blank 80CRI 9 90CRI	
			T38W	38 Watts 3800 Lumens			
			T45W	45 Watts 4500 Lumens			
L34RF Recessed Flange For Exiting Drywall installation	SF Snap in Frosted Lens	96L 96"	T52W	52 Watts 5200 Lumens	DMV(xx) 0-10V Dimming (dim to 1%) (xx) for percentage of light output when not occupied. (required for SV sensor)	Blank 80CRI 9 90CRI	
			T76W	76 Watts 7600 Lumens			
L34RRPF Perforated Flange After Drywall installation	SF Snap in Frosted Lens		T90W	90 Watts 9000 Lumens			

FINISH		CONFIGURATION	
WH	White	Blank	Individual
BK	Black	-B	Beginner Run
SI	Silver	-E	Ender Run
		-J	Joiner

Note:

*Programmable LED drivers allow custom configured wattages and corresponding lumens.

We reserve the right to change design, materials, LED's and finish in any way that will not alter installed appearance or reduce function and performance.