

# Series L34

## Linear LED 2.5" x 3.5"

Full body micro-silhouette makes a bold statement with a minimal design. Powder coated flat white polyester finish (consult factory for other standard or custom finishes). Matte white diffuser surrounds the LEDs for soft lighting. Fixture can be surface mounted on wall or ceiling, or can be pendant mounted with specially engineering cable mounting kit. Also able to be recessed or mounted on the wall.

### CONSTRUCTION

Die-formed and welded 22-gauge cold rolled steel. Easy to install. Fixtures are designed for individual or in continuous runs.

### DIFFUSERS

Special LED formulated frosted lenses with snap-in feature for easy access.

### TYPICAL OPTIONS & ACCESSORIES

Cord sets, whips, occupancy sensors, hanging kits, etc. Standard or custom colors available. Configurable into custom shapes with joiners and end caps, or able to be used in continuous runs or on their own. Emergency battery backup available. Contact factory for more details.



### DIMENSIONS

2ft. - 24"L x 2.375"W x 3.35"H

4ft. - 48"L x 2.375"W x 3.35"H

8ft. - 96"L x 2.375"W x 3.35"H


### FEATURES & BENEFITS

- Surface mount to the ceiling or pendant hung by engineered hanging kit
- Attractive source of direct lighting for any indoor applications
- Optional joiners and end caps for individual use, continuous runs, custom shapes and configurations
- Integral driver, snap-fit lens
- Easy installation
- CRI: >80 standard, 90 optional
- L70: >50,000 Hours
- Dimming: 0-10V 120-277V standard, 120 ELV/TRIAC optional
- Smallest fixture with integral emergency backup option available
- Power Factor: >0.90
- Suitable for damp and dry locations
- 5-Year Warranty
- White, black and silver standard finishes; contact factory for custom finishes



## ORDER INFORMATION

Factory at your fingertips. Fill in the blanks to create your part number or create a custom configuration.

SENSOR	SERIES	WALL WASH	LENS MATERIAL	LENGTH	WATTAGE* & LUMENS*	DRIVER	COLOR & CRI**	
<b>SS</b> Sensor - On/Off  <b>SV</b> Bi-level (xx)  <b>SD</b> Daylight Harvesting  	<b>L34P</b> Pendant Mount	<b>W</b> Wall Wash	<b>SF</b> Snap-in frosted acrylic lens (85% transmission) Special for LEDs; only available for uplight and downlight	<b>24L</b> 24"	<b>T13W</b> 13 Watts 1300 Lumens	<b>DMV</b> 0-10V Dimming	<b>30K</b> 3000K 80 CRI	
					<b>T19W</b> 19 Watts 1900 Lumens		<b>G120</b> ELV/TRIAC dimming at 120V only (only available with SS sensor)	<b>35K</b> 3500K 80 CRI
					<b>T22W</b> 22 Watts 2200 Lumens			<b>40K</b> 4000K 80 CRI
				<b>48L</b> 48"	<b>T31W</b> 31 Watts 3100 Lumens	<b>D1MV</b> 0-10V Dimming (dim to 1%)	<b>50K</b> 5000K 80 CRI	
					<b>38W</b> 38 Watts 3800 Lumens		<b>DMV(xx)</b> 0-10V Dimming (xx) for percentage of light output when not occupied. (required for SV sensor)	<b>930K</b> 3000K 90 CRI
					<b>T45W</b> 45 Watts 4500 Lumens			<b>935K</b> 3500K 90 CRI
	<b>72L</b> 72"	<b>T39W</b> 39 Watts 3900 Lumens		<b>940K</b> 4000K 90 CRI				
		<b>T68W</b> 68 Watts 6800 Lumens						
		<b>96L</b> 96"	<b>T62W</b> 52 Watts 5200 Lumens					
	<b>T76W</b> 76 Watts 7600 Lumens							
	<b>T90W</b> 90 Watts 9000 Lumens							

## Additional Options

FINISH	CONFIGURATION	OPTIONS
<b>WH</b> White	<b>Blank</b> Individual	<b>Blank</b> Surface Mount
<b>BK</b> Black	<b>B</b> Beginner Run	<b>HC301WH</b> Cable kit with 4' cable & 3 wires power feed/cable incl. and white canopy
<b>SI</b> Silver	<b>E</b> Ender Run	<b>HC302WH</b> Cable kit with 12' cable & 3 wires power feed/cable incl. and white canopy
	<b>J</b> Joiner	<b>HC3015WWH</b> Cable kit with 4' cable & 5 wires power feed/cable incl. and white canopy
		<b>HC3025WWH</b> Cable kit with 12' cable & 5 wires power feed/cable incl. and white canopy
		<b>2SCS24WH</b> Two stem kits with 24" stem, canopy and mounting hardware for a 4' fixture
		<b>EM</b> 14W Emergency battery backup (internal, excludes less than 4ft)

**Note:**

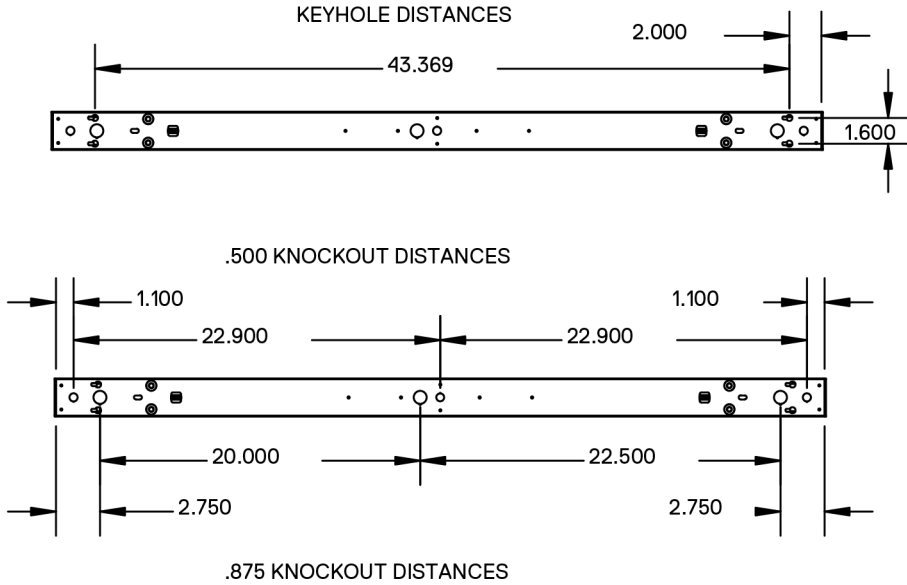
\*Programmable LED drivers allow custom configured wattages and corresponding lumens.

\*\*Consult factory for 90CRI 5000K availability.

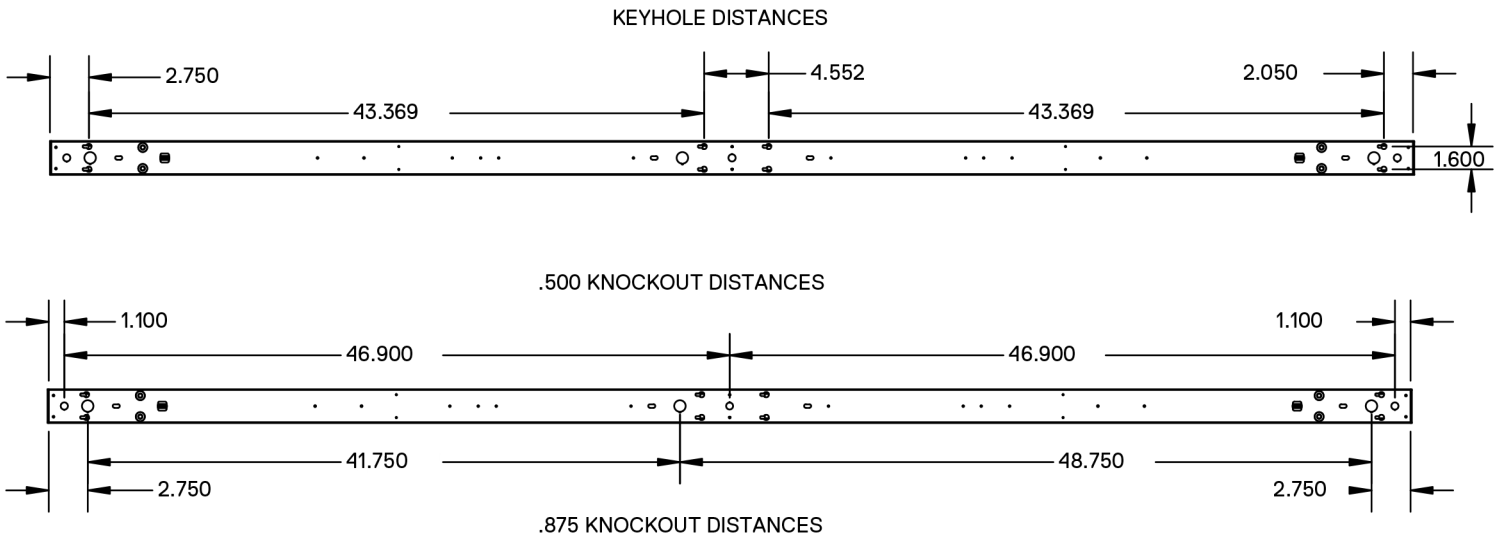
We reserve the right to change design, materials, LEDs and finish in any way that will not alter installed appearance or reduce function and performance.

**DRAWINGS & IMAGES**

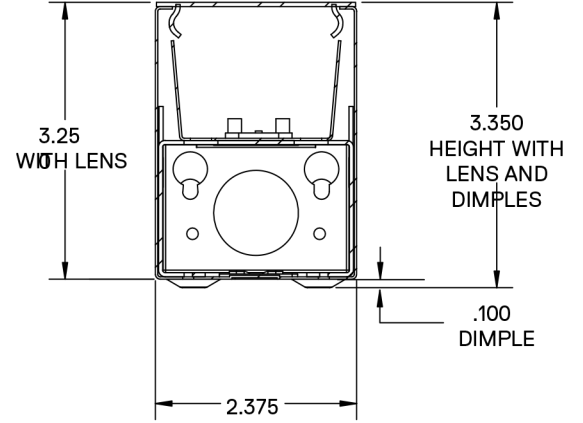
**4 ft. - Back View**



**8 ft. - Back View**



**END VIEW**



**REPLACEMENT LENS ORDERING INFORMATION**

PART NO.	DESCRIPTION
L34PSF24L	Replacement Snap-in Frosted lens for 24"
L34PSF48L	Replacement Snap-in Frosted lens for 48"
L34PSF96L	Replacement Snap-in Frosted lens for 96"