

Series L34P

Linear LED Pendant 2.5" x 3.5"

Full body micro-silhouette makes a bold statement with a minimal design. Powder coated flat white polyester finish (consult factory for other standard or custom finishes). Matte white diffuser surrounds the LEDs for soft lighting. Fixture can be surface mounted on wall or ceiling, or can be pendant mounted with specially engineering cable mounting kit. Also able to be recessed or mounted on the wall.

CONSTRUCTION

Die-formed and welded 22-gauge cold rolled steel. Easy to install. Fixtures are designed for individual or in continuous runs.

DIFFUSERS

Special LED formulated frosted lenses with snap-in feature for easy access.

TYPICAL OPTIONS & ACCESSORIES

Cord sets, whips, occupancy sensors, hanging kits, etc. Standard or custom colors available. Configurable into custom shapes with joiners and end caps, or able to be used in continuous runs or on their own. Emergency battery backup available. Contact factory for more details.



DIMENSIONS

2ft. - 24"L x 2.375"W x 3.35"H

4ft. - 48"L x 2.375"W x 3.35"H

8ft. - 96"L x 2.375"W x 3.35"H


FEATURES & BENEFITS

- Surface mount to the ceiling or pendant hung by engineered hanging kit
- Attractive source of direct lighting for any indoor applications
- Optional joiners and end caps for individual use, continuous runs, custom shapes and configurations
- Integral driver, snap-fit lens
- Easy installation
- CRI: >80 standard, 90 optional
- L70: >50,000 Hours
- Dimming: 0-10V 120-277V standard, 120 ELV/TRIAC optional
- Smallest fixture with integral emergency backup option available
- Power Factor: >0.90
- Suitable for damp and dry locations
- 5-Year Warranty
- White, black and silver standard finishes; contact factory for custom finishes



ORDER INFORMATION

Factory at your fingertips. Fill in the blanks to create your part number or create a custom configuration.

SENSOR	SERIES	WALL WASH	LENS MATERIAL	LENGTH	WATTAGE* & LUMENS*	DRIVER	COLOR & CRI**			
SS Sensor - On/Off SV Bi-level (xx) SD Daylight Harvesting 	L34P Pendant or Surface Mount	W Wall Wash	SF Snap-in frosted acrylic lens (85% transmission) Special for LEDs; only available for uplight and downlight	24L 24"	T13W1300L 13 Watts 1300 Lumens	DMV 0-10V Dimming	30K 3000K 80 CRI			
					T19W2200L 19 Watts 1900 Lumens			G120 ELV/TRIAC dimming at 120V only (only available with SS sensor)	35K 3500K 80 CRI	
					T22W2200L 22 Watts 2200 Lumens					40K 4000K 80 CRI
				48L 48"	T31W3100L 31 Watts 3100 Lumens	D1MV 0-10V Dimming (dim to 1%)	50K 5000K 80 CRI			
					38W4500L 38 Watts 3800 Lumens			DMV(xx) 0-10V Dimming (xx) for percentage of light output when not occupied. (required for SV sensor)	930K 3000K 90 CRI	
					T45W4500L 45 Watts 4500 Lumens					
				72L 72"	T39W3900L 39 Watts 3900 Lumens	DMV 0-10V Dimming	940K 4000K 90 CRI			
					T68W6800L 68 Watts 6800 Lumens			DMV(xx) 0-10V Dimming (xx) for percentage of light output when not occupied. (required for SV sensor)	930K 3000K 90 CRI	
					T90W9000L 90 Watts 9000 Lumens					
				96L 96"	T62W6200L 52 Watts 5200 Lumens	DMV 0-10V Dimming	940K 4000K 90 CRI			
					T76W7600L 76 Watts 7600 Lumens			DMV(xx) 0-10V Dimming (xx) for percentage of light output when not occupied. (required for SV sensor)	930K 3000K 90 CRI	
					T90W9000L 90 Watts 9000 Lumens					940K 4000K 90 CRI

Additional Options

FINISH	CONFIGURATION	OPTIONS
WH White	Blank Individual	HC301WH Cable kit with 4' cable & 3 wires power feed/cable incl. and white canopy
BK Black	B Beginner Run	HC302WH Cable kit with 12' cable & 3 wires power feed/cable incl. and white canopy
SI Silver	E Ender Run	HC3015WWH Cable kit with 4' cable & 5 wires power feed/cable incl. and white canopy
	J Joiner	HC3025WWH Cable kit with 12' cable & 5 wires power feed/cable incl. and white canopy
		2SCS24WH Two stem kits with 24" stem, canopy and mounting hardware for a 4' fixture
		EM 14W Emergency battery backup (internal, excludes less than 4ft)

Note:

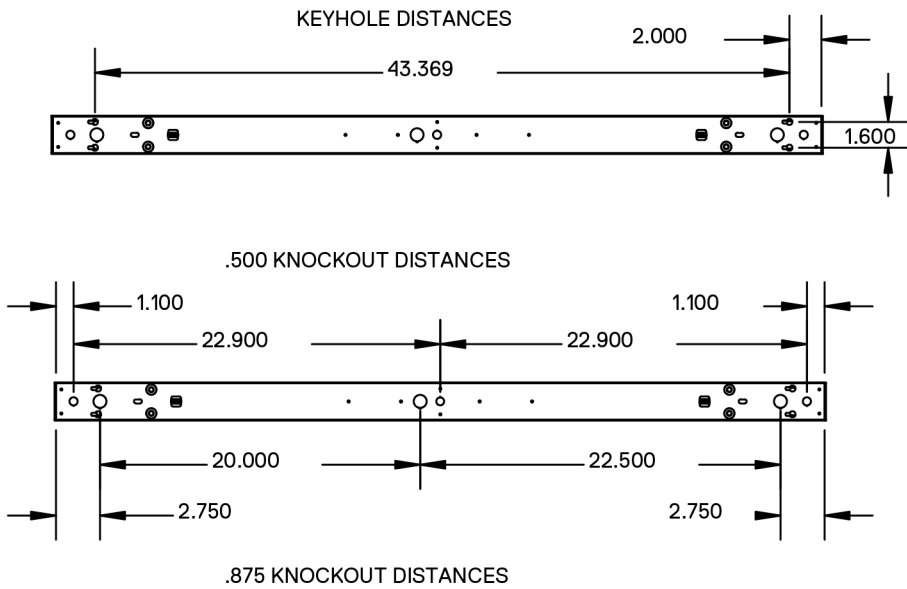
*Programmable LED drivers allow custom configured wattages and corresponding lumens.

**Consult factory for 90CRI 5000K availability.

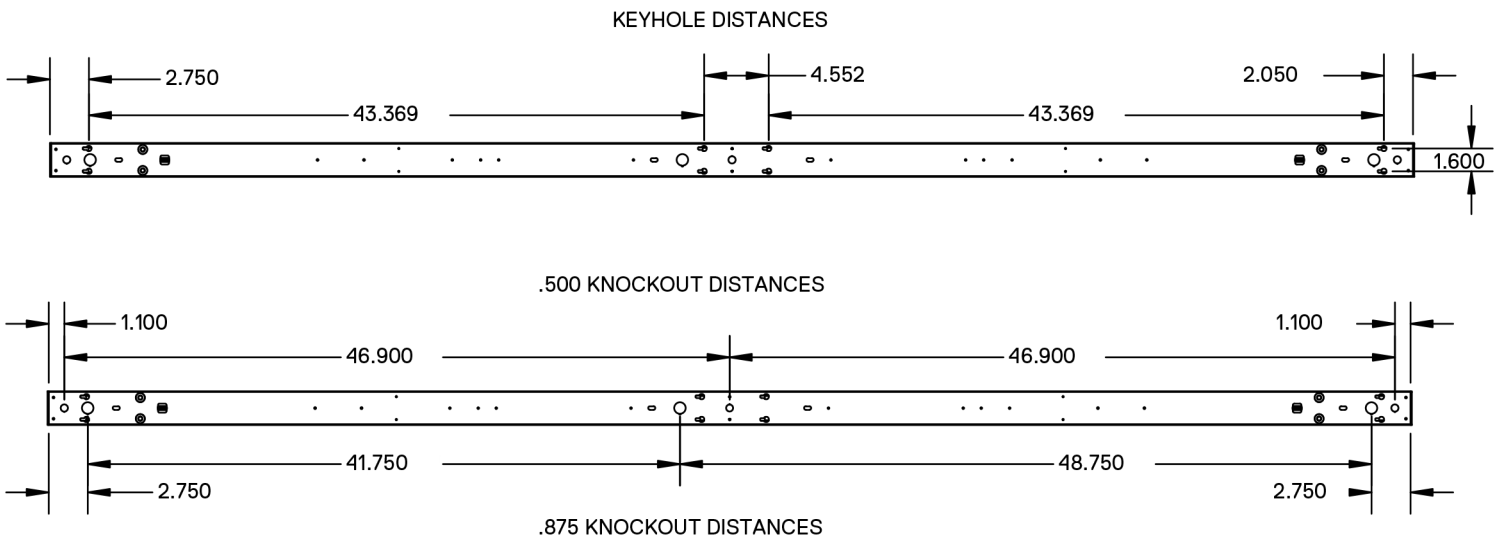
We reserve the right to change design, materials, LEDs and finish in any way that will not alter installed appearance or reduce function and performance.

DRAWINGS & IMAGES

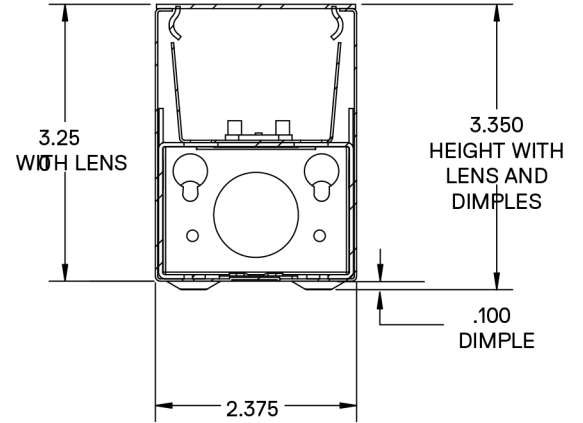
4 ft. - Back View



8 ft. - Back View



END VIEW



REPLACEMENT LENS ORDERING INFORMATION

PART NO.	DESCRIPTION
L34PSF24L	Replacement Snap-in Frosted lens for 24"
L34PSF48L	Replacement Snap-in Frosted lens for 48"
L34PSF96L	Replacement Snap-in Frosted lens for 96"