



Texas Fluorescents
Reinvented

CATALOG#: _____
PROJECT: _____
TYPE: _____

Series EWW

LED Elliptical Wall Wash Coffered Grid Mount

Specification grade, recessed perimeter elliptical wall wash to highlight wall and shelf mounted goods in commercial and retail environments. Provides uniform VERTICAL surface lighting.

CONSTRUCTION

Housing is die-formed and embossed code 22 gauge steel. Finish is high reflectance baked white enamel. Access plates with wiring knockouts are provided on one side of housing. Premier full specular reflectors at sides and ends create a professional finish and control the wall wash lighting distribution.

MOUNTING

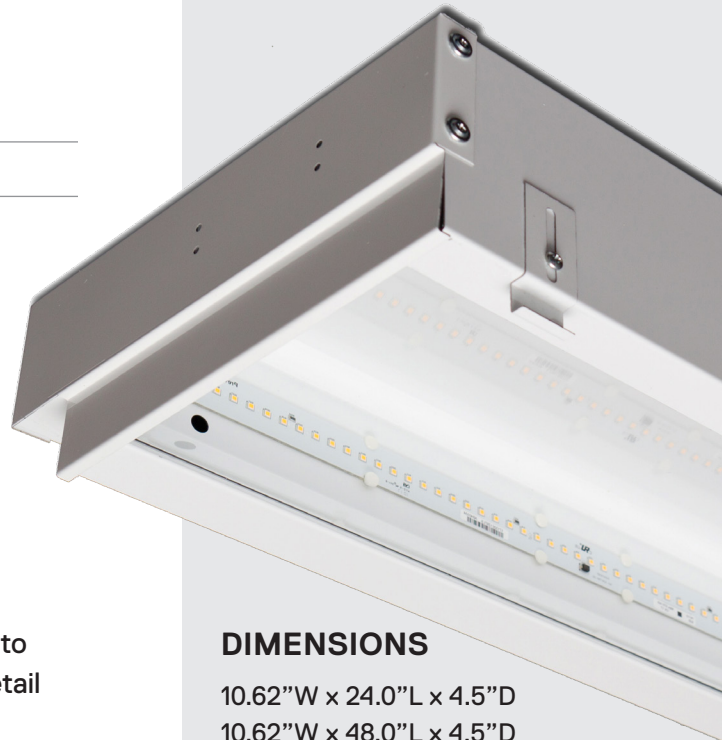
Recessed inverted T-Bar ceilings. Grid mount

ELECTRICAL SPECIFICATIONS

CRI: >80
Service Life: >60,000 hours
Dimming: dimming down to 10% on 0-10V dimmer
Input Voltage: 120V-277V 50/60Hz
Ambient Operating Temperature: -30C to 50C

TYPICAL OPTIONS & ACCESSORIES

Whips, fuses, and frame kits.
Contact factory for more details



DIMENSIONS

10.62"W x 24.0"L x 4.5"D
10.62"W x 48.0"L x 4.5"D

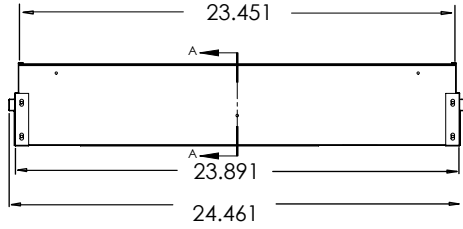
FEATURES & BENEFITS

- Perimeter highlight for wall and shelf mounted goods
- "Silver" full bright reflectors maximize efficiency, light output, and control wall wash distribution.
- Access plate to simplify installation
- Suitable for dry and damp locations
- 50,000 hrs of L70 LED life
- CRI >80
- 0-10 Volt dimmable 120-277V
- Power factor 0.99
- 5 year warranty

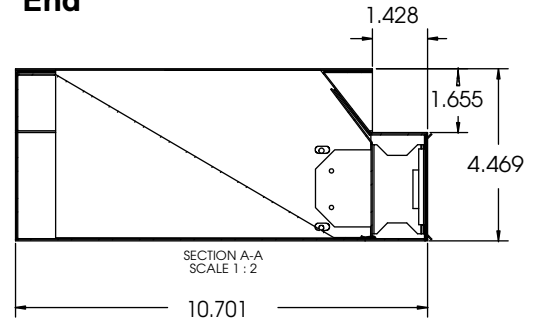


DRAWINGS & IMAGES

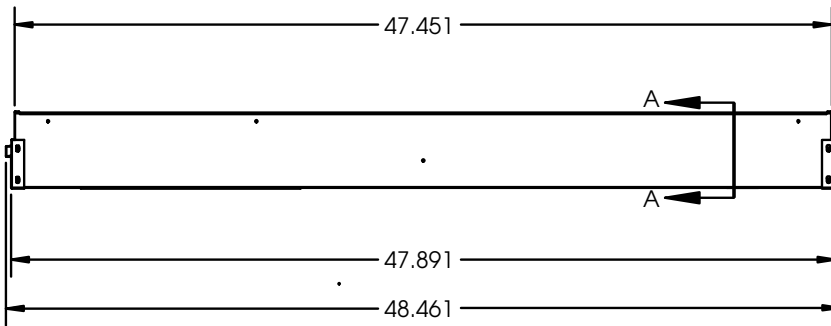
Side



End



Side



CATALOG#: _____
PROJECT: _____
TYPE: _____

Series EWW
LED Elliptical Wall Wash
Coffer Grid Mount

ORDER INFORMATION

SERIES	LENGTH	WATTAGE & LUMENS		DRIVER		COLOR		OPTIONS	
EWW	24L 24"	Y24W1600L	24 Watts 1600 Lumens	DMV G120	0-10V Dimming ELV/TRIAC Dimming at 120V only	30K	3000K	WP	6 ft. 3 wire 18 gauge whip
		Y35W2500L	35 Watts 2500 Lumens						
		_____ *							
	48L 48"	Y24W1600L	24 Watts 1600 Lumens						
		Y48W3500L	48 Watts 3500 Lumens						
		Y57W4000L	57 Watts 4000 Lumens						
		_____ *							