



Texas Fluorescents  
Reinvented

CATALOG#: \_\_\_\_\_  
PROJECT: \_\_\_\_\_  
TYPE: \_\_\_\_\_

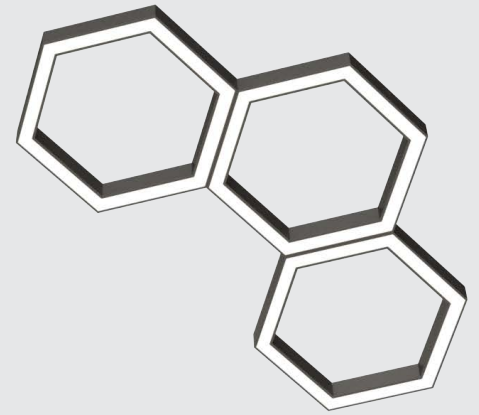
# Linear Hex Connector Series

## Architectural LED Linking Polygons

Upgrade your lighting experience with this unique and stylish fixture based on nature's strongest shape. The LHC Series allows customers to create their own custom patterns of polygon fixtures to create an interesting look in any space. The LHC Series can be linked together in several ways allowing for infinite design possibilities.

### CONSTRUCTION

Housing is laser cut, welded, and fabricated from 22 gauge powder coated cold-rolled steel. Multiple knockouts on fixtures allow for seamless wiring between fixture sets. Specially designed 18 gauge cold-rolled steel joiner brackets make connecting fixtures frictionless.



### INDIVIDUAL FIXTURE DIMENSIONS

22" W x 26" L x 3" H

### BASE CONFIGURATION DIMENSIONS

46" W x 57" L x 3" H

### SPECIFICATIONS

- Customizable patterns
- Pendant mounted with hanging kit options to fit most ceiling types
- Multiple Kelvin temperature options (3000K, 3500K, 4000K, 5000K)
- CRI > 80 (90 CRI available)
- >50,000 hrs of L70 LED life
- Rated for dry and damp locations
- 0-10 Volt dimmable 120-277V
- Power factor >0.90
- 5 year warranty



## ORDERING GUIDE

Factory at your fingertips. Fill in the blanks to create your part number or create a custom configuration.

Sample Part Number: LHC-P-FR-24-LQ-D30-DMV-WH-35K-HC605WH

SERIES	MOUNTING		DIFFUSER		WIDTH X LENGTH <sup>1</sup>		WATTAGE		DRIVER		
LHC	P	Pendant	FR	Frosted	22X26 (-01)	22"W x 26"L	<b>G30W</b>	30 Watts, 3000 Lumens	<b>DMV</b>	122-277VAC 0-10V Dimming	
		S					Surface Mount	<b>G40W</b>			40 Watts, 4000 Lumens
	<b>G50W</b>							50 Watts, 5000 Lumens			
					46X57 (-03)	46"W x 57"L	<b>Q90W</b>	90 Watts, 9000 Lumens		<b>D1MV</b>	122-277VAC 0-10V Dimming (dim to 1%)
							<b>Q120W</b>	120 Watts, 12000 Lumens			
							<b>Q150W</b>	150 Watts, 15000 Lumens			
					41X47 (-01)	41"W x 47"L	<b>J120W</b>	120 Watts, 12,000 Lumens			
							<b>J144W</b>	144 Watts, 14,400 Lumens			
							<b>J170W</b>	170 Watts, 17,000 Lumens			
					82X102 (-03)	82"W x 102"L	<b>J360W</b>	360 Watts, 36,000 Lumens			
							<b>J432W</b>	432 Watts, 43,200 Lumens			
							<b>J510W</b>	510 Watts, 51,000 Lumens			

FINISH <sup>2</sup>		CCT		CONFIGURATION		OPTIONS	
WH	White	30K	3000K	-01	Individual	<b>HC605WH</b>	Cable kit with 6' cable & 3 wires power feed cable incl. and white canopy
BK	Black		3500K				
SI	Silver	35K	3500K	-03	Set of 3	<b>HC612WH</b>	Cable kit with 12' cable & 3 wires power feed cable incl. and white canopy
**	Custom Color		4000K				
		40K	4000K			<b>LHCHEXJB<sup>2</sup></b>	Joiner bracket (included for sets of 3)
			5000K				

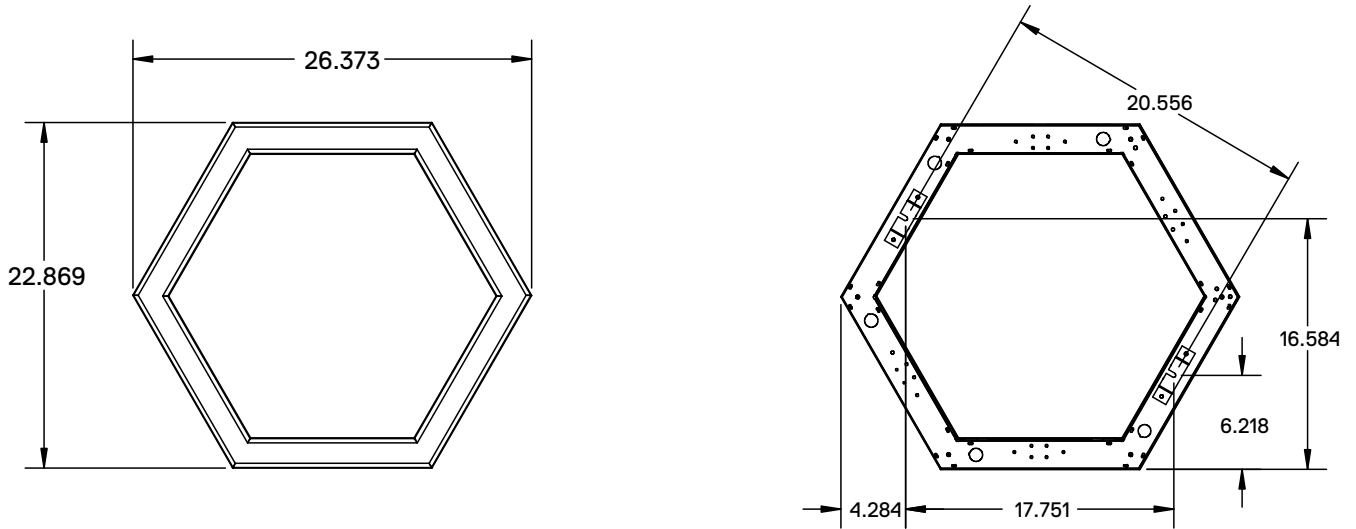
Note:

1. Individual fixture & set of 3 fixtures are measured by overall width and length.
2. Joiner brackets included in 3 fixture sets.

We reserve the right to change design, materials, LED's and finish in any way that will not alter installed appearance or reduce function and performance.

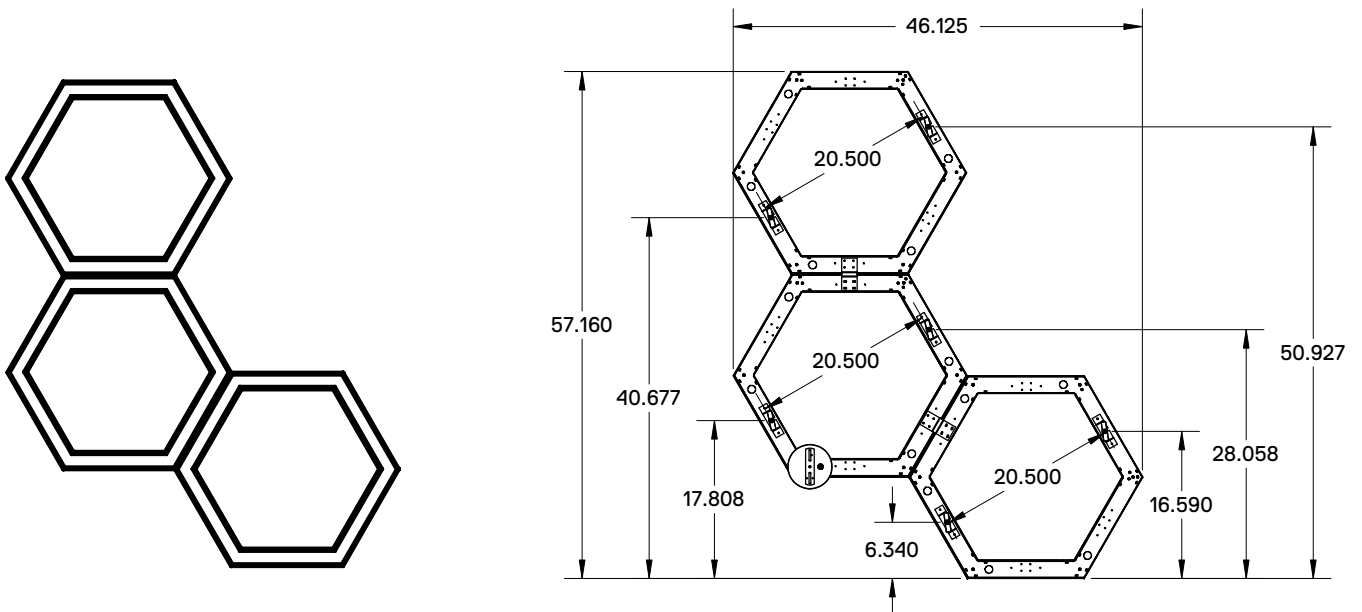
## PRODUCT DIMENSIONS

### -01 (Individual) Configuration



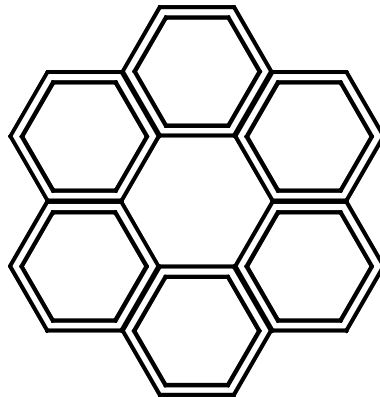
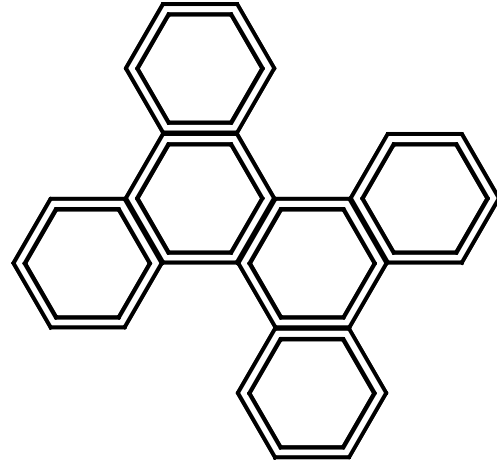
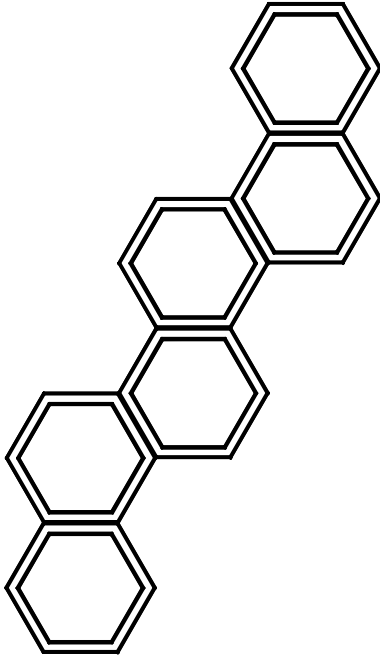
## PRODUCT DIMENSIONS

### -03 (Set of 3) Configuration



CATALOG#: \_\_\_\_\_  
PROJECT: \_\_\_\_\_  
TYPE: \_\_\_\_\_

**EXAMPLE PATTERNS\***



**\*Note: These are only a few possible patterns, please consult the factory to design your own pattern. All designs and drawings will require approval.**