



CATALOG#: _____
 PROJECT: _____
 TYPE: _____

Series ELXTEU

Aluminum LED Edgelit Exit Sign



ILLUMINATION

- Ultra bright, energy efficient, long life Red or Green LED
- UV-stabilized ultra-clear acrylic edgelit panel provides consistent, uniform illumination
- Double face utilizes factory installed silver or white mylar background panel

ELECTRICAL

- Dual 120-277 voltage standard. Optional multi-tap 208/220/240 voltage available
- Charge rate/power "ON" LED indicator light and push-to-test switch for mandated code compliance testing
- 4.8V long life, maintenance-free, rechargeable NiCd battery
- Internal solid-state transfer switch automatically connects the internal battery to LED board and LED lamp heads for minimum 90-minute emergency illumination
- Fully automatic solid-state, two rate charger initiates battery charging to recharge a discharged battery in 24 hours

MOUNTING

- Aluminum mounting canopy included for top, end or back mount

HOUSING

- Premium-grade, extruded aluminum housing (also available in black or white powder-coated finishes)
- Self-adhesive chevron appliques and guide template provided for directional indication

WARRANTY

- Five year warranty on all electronics and housing. Battery pro-rated for five years
- Meets UL924, NFPA 101 Life Safety Code, NEC, OSHA, Local and State Codes
- UL Listed for damp locations. (0°C-50°C)

DIMENSIONS

13 3/4"L x 5 7/8"W x 11 7/8"H

OPTIONS

- 2C: Dual circuit option on the AC-only unit enables it to be connected to two different (one acting as a backup to the other) power supplies at the same time.
- Custom signs available with requested "special" wording
- USA: Substantial transformation assembly in the U.S. complies with "Assembled in the USA" under the Buy American Act.
- SPV: UL listed for special voltage option.
- SD: Self diagnostic feature performs monthly, biannual, and annual tests to ensure reliable operation and meet electrical and life safety codes
- UL Listed for damp locations
- 5 year warranty on all electronics and housing. Battery pro-rated for five years.

STANDARD



OPTIONAL





CATALOG#: _____
 PROJECT: _____
 TYPE: _____

Series ELXTEU

Aluminum LED Edgelit Exit Sign

ORDER INFORMATION

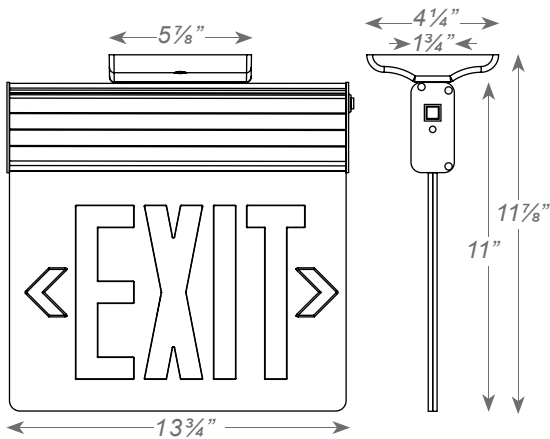
Factory at your fingertips. Fill in the blanks to create your part number or create a custom configuration.

SERIES	NO. OF FACES	LETTER COLOR	PANEL	HOUSING COLOR	BATTERY	OPTIONS
ELXTEU	1 Single Face	R Red	C Clear ¹	W White	Blank AC only	SDT Self-diagnostics ²
	2 Double Face	G Green	M Mirror W White	B Black A Aluminum	EM Battery Backup	Custom Custom Wording 2C Dual Circuit operation ³ SPV 208/220/240 Volt, 50/60Hz ⁴

Notes:

- ¹With single face only
- ²Available only with EM units
- ³Available only with AC units
- ⁴Not available with SDT

DRAWINGS



Catalog Number	INPUT WATTS (W)					INPUT AMPS (A)				
	120V	277V	208V	220V	240V	120V	277V	208V	220V	240V
ELXTEU-RED/GREEN/EM SPV	3.6	4.0	3.9	3.93	3.98	0.030	0.020	0.022	0.022	0.020
ELXTEU-RED/GREEN/SDT/2C	3.6	4.0	-	-	-	0.030	0.020	-	-	-

Note:
 We reserve the right to change design, materials, LEDs and finish in any way that will not alter installed appearance or reduce function and performance.