



JOB NAME:

CAT#:

TYPE:

APPLICATIONS

Premium quality low profile troffer with an almost limitless range of applications. Ideal for all commercial and industrial buildings requiring general illumination with recessed configurations.

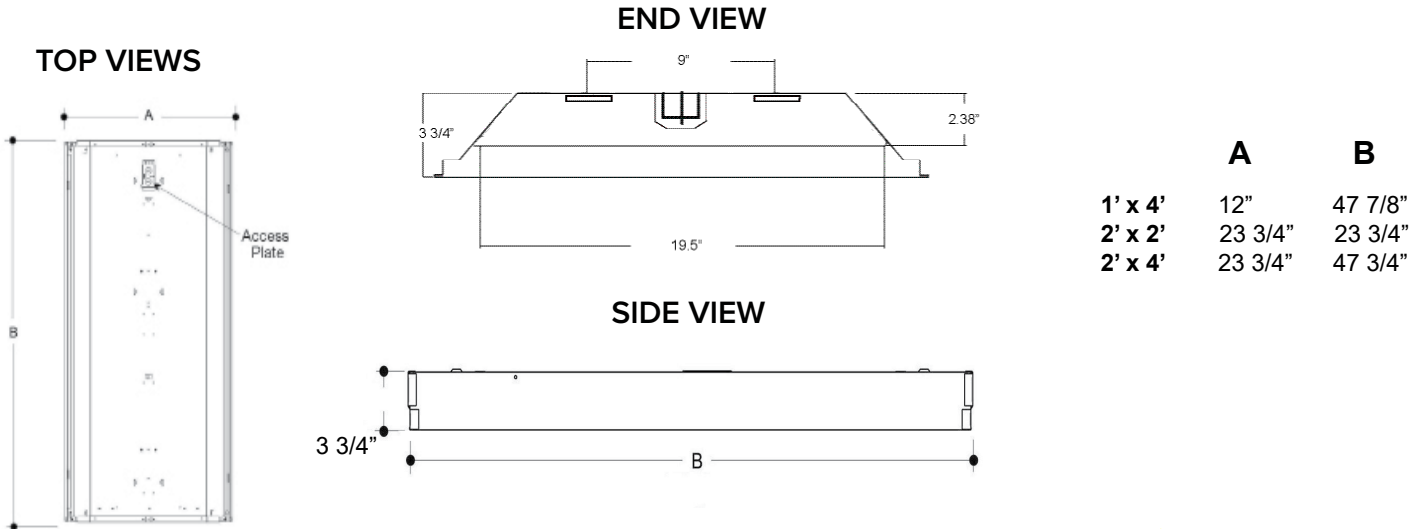
Housing is die-formed and embossed from cold rolled steel. Wiring access plate and knockouts are provided on back of housing allowing for flexible greenfield attachment. Driver cover snaps easily into place eliminating the need for tools when accessing the driver. Prismatic lens is held within a hinged steel frame door. The heavy gauge door frame hinges downward on either side and is held in the closed position by two positive cam latches. Knockouts are provided on ends for continuous wiring.



FEATURES & BENEFITS

- Min CRI 82
- L70 >60,000 hrs
- IC Rated
- Corrosion and scratch resistant
- Smooth edges for easy handling
- Ends are secured by snap-in interlocking system
- .100 acrylic prismatic lens is standard
- Exclusive "Light Lock" frame reduces light leaks
- Flush steel door with rotary action cam latches and hinges from either side
- Easy access plate for quick wiring
- Equipped with Integral Earthquake Clips
- _cETL_{us} listed for damp locations up to 95 watts
- DLC listed in certain models - consult DLC QPL for verification

DIMENSIONS





JOB NAME:

CAT#:

TYPE:

ORDERING

EXAMPLE: RG 14 LED 22 DMV 30 EM SSM

Table with 7 columns: 1. SERIES, 2. SIZE, 3. GEAR, 4. WATTAGE/LUMENS*, 5. DRIVER, 6. LENS, 7. COLOR TEMP. Includes sub-sections for RG, LED, and various specifications.

*Consult for other wattages or Triac Dimming options

8. EMERGENCY (O)'

- EM Emergency Battery Pack 10W ~ 1700 lumens
EM7 Emergency Battery Pack 7W ~ 1300 Lumens
EM5 Emergency Battery Pack 5W ~ 850 Lumens
EM12K 1200 Board Lume LED Emergency Kit

9. SENSOR (O)'

- SSM Microwave Sensor

Notes:

'(O) is optional

NOTE: Values shown are typical or recorded under standardized conditions at 25°C. Actual performance may vary based on environment or application. Specifications are subject to change without notice.

