



JOB NAME:

CAT#:

TYPE:

APPLICATIONS

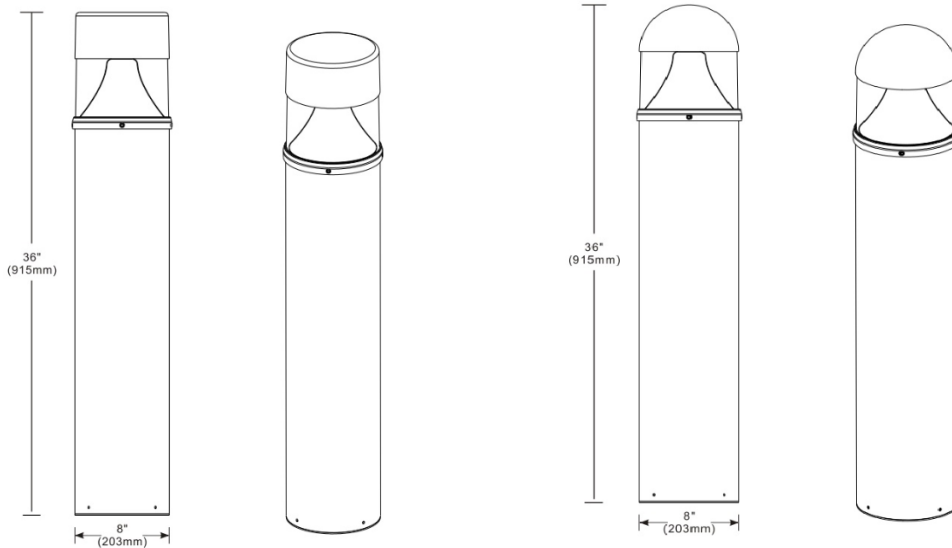
This attractive 8" diameter bollard features an aluminum construction housing providing corrosion and vandal resistance. A solid foundation withstands the elements, and driver options work in even the worst weather conditions. It is ideal for lighting pedestrian walkways, as well as accenting the exterior grounds of office, apartment buildings, hotels, and parks.

FEATURES & BENEFITS

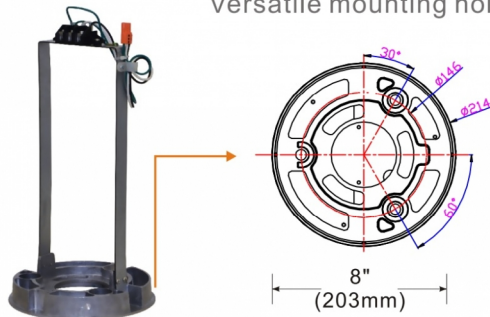
- Min CRI 70
- Extruded aluminum alloy body
- Standard 4kV surge
- High-impact polycarbonate diffuser
- Bronze finish
- Type V distribution
- Operating temperature: -40°C ~ +50°C
- cUL_{US} listed for wet locations



DIMENSIONS



Versatile mounting holes



Dimensions and specifications subject to change without notice.



JOB NAME:

CAT#:

TYPE:

ORDERING

EXAMPLE: GRPL-10A 18 UNV 7 50 XS C

GRPL-10A

1. SERIES	2. WATTAGE/LUMENS	3. INPUT VOLTAGE	4. CRI	5. COLOR TEMP	6. SURGE OPTION (O)	6. FEATURE
GRPL-10A Commercial Grade 8" Bollard	18 18 Watts 2035 Lumens 36 36 Watts 3960 Lumens	UNV 120-277V	7 70+	40 4000K 50 5000K	XS 10kV Surge 2S 20kV Surge	C Cylinder S Sphere

Dimensions and specifications subject to change without notice.