



JOB NAME:

CAT#:

TYPE:

APPLICATIONS

Non-Metallic outdoor lighting. Choice of white or black molded plastic in a choice of styles and incandescent, fluorescent or LED versions. UL listed for wet location. Photocell optional. Energy Star rated when used with electronic ballast and photocell.

FEATURES & BENEFITS

- Available in black or white with white or frosted prismatic polycarbonate lenses
- Fade and rust resistant composite constructions
- High power factor
- ^cUL_{us} listed for wet locations
- 3 year warranty for MV and INC w/ lamp
- 5 year warranty for LED dimmable 120V Ambient temperature -40°C - +40°C
- Wall or ceiling mount



FC132 Style

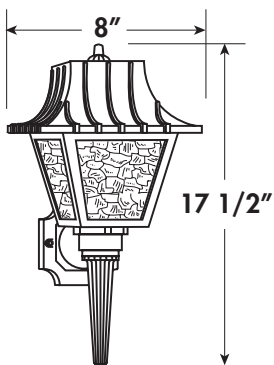


FC232 Style

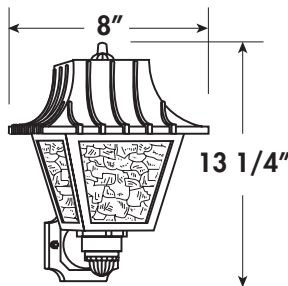


FC133 Style

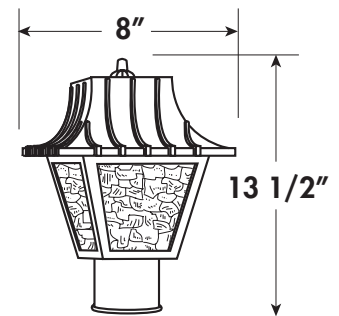
DIMENSIONS



EXTENDS: 8 1/2"



EXTENDS: 8 1/2"
HCMT: 10 5/8"





JOB NAME:

CAT#:

TYPE:

ORDERING

EXAMPLE: FC133 LE800 W W C P

LE800

1. STYLE	2. LIGHT SOURCE	3. COLOR TEMP	4. BODY	5. DIFFUSER	6. OPTIONS ¹
FC132 Wall Mount Long Tail	LE800 13W Power Input, CRI 80 >88 Lumens Per Watt (TYP)	W 3000K	W White	C Clear	P Photocell*
FC133 Wall Mount Short Tail		C 4000K	B Black	F Flemish	
FC232 Post Mount					

ORDERING (INCANDESCENT)

EXAMPLE: FC133 I60 W C LWE

I60

1. STYLE	2. LIGHT SOURCE	3. BODY	4. DIFFUSER	5. LAMPING
FC132 Wall Mount Long Tail	I60 1 X 60W Max	W White	C Clear F Flemish	LWE A19/E26, 3000K
FC133 Wall Mount Short Tail		B Black		LCE A19/E26, 4000K
FC232 Post Mount				

Notes:

¹Photocell not available for FB232 style

