



JOB NAME:

CAT#:

TYPE:

### APPLICATIONS

Premium grade LED narrow channel fixture. For use in indoor applications such as factories, warehouses, workshops, utility areas, coves and public buildings where industrial grade is required.

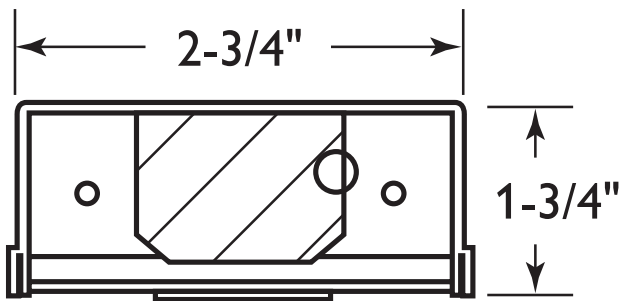
Housing is die-formed from cold rolled steel. Finish is high reflectance baked white enamel. Single wireway cover on non-tandem units. Knockouts are provided for stem mounting. Mounting holes are provided.



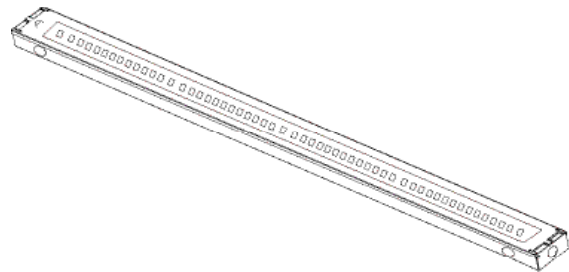
### FEATURES & BENEFITS

- Snap-on components for easy assembly and maintenance
- Versatile end plate doubles as coupler for continuous row mounting
- Available in 24", 36" 48", 72" and 96" (2', 3', 4', 6', & 8' lengths)
- Surface, stem or chain mountable
- Narrow body width 2 3/4" nominal
- ETL Listed for damp locations
- Min CRI 82

### DIMENSIONS



### LINE ART



Dimensions and specifications subject to change without notice.





**JOB NAME:**

**CAT#:**

**TYPE:**

**ORDERING**

EXAMPLE: 42 24 LED 15 DMV 8 30 EM LR WP OS W30

**42**

| 1. SERIES | 2. SIZE <sup>1</sup>   | 3. GEAR    | 4. WATTAGE/LUMENS  | 5. DRIVER                            | 6. LENS  | 7. COLOR TEMP  |
|-----------|--|------------|--|--------------------------------------|--|--|
| <b>42</b> | <b>24</b> 24"<br><b>48</b> 48"<br><b>72</b> 72"<br><b>96</b> 96" | <b>LED</b> | <b>2 ft.</b><br><b>15</b> 15 Watts 2500 Lumens<br><b>20</b> 20 Watts 3250 Lumens<br><b>25</b> 25 Watts 4000 Lumens<br><b>33</b> 33 Watts 5200 Lumens<br><b>4 ft.</b><br><b>15</b> 15 Watts 2500 Lumens<br><b>20</b> 20 Watts 3400 Lumens<br><b>25</b> 25 Watts 4250 Lumens<br><b>30</b> 30 Watts 5200 Lumens<br><b>35</b> 35 Watts 5900 Lumens<br><b>40</b> 40 Watts 6650 Lumens<br><b>45</b> 45 Watts 7400 Lumens<br><b>50</b> 50 Watts 8150 Lumens<br><b>54</b> 54 Watts 8550 Lumens<br><b>8 ft.</b><br><b>24</b> 24 Watts 3475 Lumens<br><b>48</b> 48 Watts 6475 Lumens<br><b>57</b> 57 Watts 7755 Lumens<br><b>70</b> 70 Watts 9840 Lumens<br><b>97</b> 97 Watts 12950 Lumens<br><b>118</b> 118 Watts 15510 Lumens | <b>DMV</b> 120-277VAC 0-10V Dimmable | <b>(Blank)</b> No Lens<br><b>FR</b> Frosted Lens | <b>30</b> 3000K<br><b>35</b> 3500K<br><b>40</b> 4000K<br><b>50</b> 5000K |

|   |  |   |  |   |
|---|--|---|--|---|
| <b>8. EMERGENCY (O)<sup>2</sup></b><br><b>EM</b> 10W Emergency<br><b>EM5</b> 5W Emergency battery pack<br>~650 Lumens | <b>9. LENS READY (O)<sup>2</sup></b><br><b>LR</b> Lens ready | <b>10. WHIP/CORD (O)<sup>2</sup></b><br><b>WP</b> 6' WIP 3 wire<br><b>CS</b> Cord 18/3 6" | <b>11. SENSOR (O)<sup>2</sup></b><br><b>OS</b> Occupancy Sensor<br><b>SS</b> Occupancy Sensor-<br>Internal Microwave | <b>12. REFLECTOR (O)<sup>2</sup></b><br><b>W30</b> White steel reflector<br><b>W35</b> Asymmetric reflector<br><b>W65</b> Curved asymmetric reflector |
|---|--|---|--|---|

**ACCESSORIES**

- A69** Wireguard per 4ft.
- L1084** 4ft. lens
- M38-LED** Ends to add lens; requires 2 per fixture

**Notes:**  
<sup>1</sup>Consult factory for 36" and 72". 36" is special order.  
 Consult factory for wattages  
<sup>2</sup>(O) is optional

**NOTE:** Values shown are typical or recorded under standardized conditions at 25°C. Actual performance may vary based on environment or application. Specifications are subject to change without notice. We reserve the right to change design, materials, LED's and finish in any way that will not alter installed appearance or reduce function and performance.

