



Texas Fluorescents  
Reinvented

CATALOG#: \_\_\_\_\_  
PROJECT: \_\_\_\_\_  
TYPE: \_\_\_\_\_

# Series UCLL

## LED Low Profile Center Basket Recessed

Low profile, center-lensed LED fixtures ideal for shallow plenum spaces. Specification grade, direct/indirect center diffuser luminaire provides smooth and uniform ambient lighting for all commercial and industrial buildings with recessed configurations. Reflected light from matte surface adds a softened “sky light” appearance to the modern office environment. Linear ribbed lens encloses the LED array and is designed to maximize efficiency and minimize glare.

### CONSTRUCTION

Housing is die-formed and embossed 20 gauge steel. Luminaire body finish is high reflectance baked white enamel, with matte white reflectors. Wiring knockouts are provided on the back of housing and ends of fixture. Center diffuser snaps into place; no tools are required for removal. Diffuser is ribbed acrylic lens providing increased light output.

### MOUNTING

Recessed inverted T-Bar ceilings. Grid mount or surface mount.



### DIMENSIONS

- 1x1 - 11.85"L x 11.85"W x 3.25"H
- 1x2 - 24"L x 12"W x 3.25"H
- 1x4 - 47.8"L x 11.7"W x 3.25"H
- 2x2 - 24"L x 24"W x 3.25"H
- 2x4 - 48"L x 24"W x 3.25"H

### FEATURES & BENEFITS

- Designed to minimize glare, producing a soft, "sky light" appearance for modern spaces
- Fifteen lumen packages/wattages across 5 fixture sizes
- Matte white reflective surfaces for soft, uniform light distribution
- Available in 4 color temperatures ranging from 3000K - 5000K
- For use in recessed inverted T-Bar or grid ceilings
- Specifically designed lens (C) for LED array to provide enhanced light transmission while minimizing glare and LED diode shadows
- Emergency battery backup available
- CRI >80 standard, 90 optional
- L70: >50,000 Hours
- Dimming: 0-10V 120-277V standard, 120 ELV/TRIAC optional
- Power factor >0.90
- IC Rated for dry and damp locations
- Chicago Plenum Compliant (Optional)
- 5 year warranty



### ORDER INFORMATION

Factory at your fingertips. Fill in the blanks to create your part number or create a custom configuration.

SERIES	LENS MATERIAL	LENGTH	WATTAGE* & LUMENS*	DRIVER
<b>UC</b> Center Basket Grid Mount  <b>UCR</b> Center Basket w/Air Return  <b>SSUC</b> Center Basket Sensor - On/Off  <b>SVUC</b> Center Basket Bi-Level (xx)  <b>SDUC</b> Center Basket Daylight Harvesting	LL Linear Ribbed Lens	<b>11L<sup>1</sup></b> 11.85" x 11.85"	<b>F11W1250L</b> 11 Watts, 1250 Lumens <b>F22W2500L</b> 22 Watts, 2500 Lumens	<b>DMV</b> 0-10V Dimming
	PF Perforated Basket <sup>^</sup>	<b>12L<sup>1</sup></b> 12" x 24"	<b>J24W2700L</b> 24 Watts, 2700 Lumens <b>J32W3600L</b> 32 Watts, 3600 Lumens	<b>G120</b> ELV/TRIAC Dimming at 120V only
		<b>14L</b> 11.7" x 47.8"	<b>Y15W</b> 15 Watts, 1950 Lumens <b>Y20W</b> 20 Watts, 2600 Lumens <b>Y25W</b> 25 Watts, 3250 Lumens <b>Y33W</b> 33 Watts, 4290 Lumens	<b>D1MV</b> 0-10V Dimming (dim to 1%) (only available with SS sensor)  <b>DMV(xx)</b> 0-10V Dimming (xx) for percentage of light output when not occupied. (required for SV sensor)
		<b>22L</b> 24" x 24"	<b>Y15W</b> 15 Watts, 1950 Lumens <b>Y20W</b> 20 Watts, 2600 Lumens <b>Y25W</b> 25 Watts, 3250 Lumens <b>Y33W</b> 33 Watts, 4290 Lumens	
		<b>24L</b> 24" x 48"	<b>Y20W</b> 20 Watts, 2880 Lumens <b>Y25W</b> 25 Watts, 3600 Lumens <b>Y30W</b> 30 Watts, 4320 Lumens <b>Y35W</b> 35 Watts, 5040 Lumens <b>Y40W</b> 40 Watts, 5760 Lumens <b>Y45W</b> 45 Watts, 6480 Lumens <b>Y50W</b> 50 Watts, 7200 Lumens <b>Y54W</b> 54 Watts, 7780 Lumens	



Smart Sensor

<sup>^</sup> Note: Lumen output falls to approximately 60% with the perforated basket, as compared with the linear lens lumen levels stated at right.

COLOR/CRI**	OPTIONS
<b>30K</b> 3000K 80 CRI	<b>WP</b> 6 ft. 3 wire 18 gauge whip (non-dimming) <b>GK1</b> Single gasket (lens to door frame)
<b>35K</b> 3500K 80 CRI	<b>WP4</b> 6 ft. 4 wire 18 gauge whip (non-dimming EM) <b>GK2</b> Double gasket (lens/frame + frame to troffer)
<b>40K</b> 4000K 80 CRI	<b>WP5W</b> 6 ft. 5 wire 18 gauge whip <b>GK3</b> Triple gasket (lens/frame + frame/troffer + troffer to T-grid)
<b>50K</b> 5000K 80 CRI	<b>WP6W</b> 6 ft. 6 wire 18 gauge whip (dimming EM) <b>FIK1x4</b> 1x4 Frame-in-kit
<b>930K</b> 3000K 90 CRI	<b>EM</b> Integrated 10W Emergency battery backup (excludes 1x4, 1x2, and 1x1) <b>FIK2x2</b> 2x2 Frame-in-kit
<b>935K</b> 3500K 90 CRI	<b>EM12</b> 12W Emergency battery backup (remote only) <b>FIK2x4</b> 2x4 Frame-in-kit
<b>940K</b> 4000K 90 CRI	<b>EM20</b> 20W Emergency battery backup (remote only) <b>CP</b> Chicago Plenum Compliant (Optional)

Note:

\*Programmable LED drivers allow custom configured wattages and corresponding lumens.

\*\* Consult factory for 90 CRI 5000K availability.

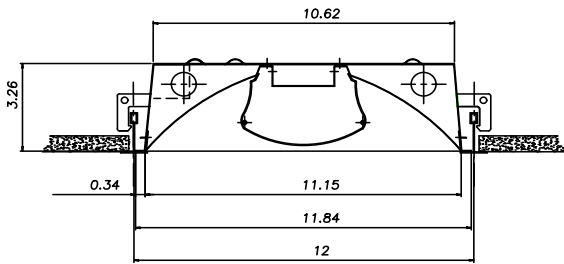
<sup>1</sup>Remote EM only. Not available for sensor options.

**NOTE:** Values shown are typical or recorded under standardized conditions at 25°C. Actual performance may vary based environment or application. Specifications are subject to change without notice. We reserve the right to change design, materials, LED's and finish in any way that will not alter installed appearance or reduce function and performance.

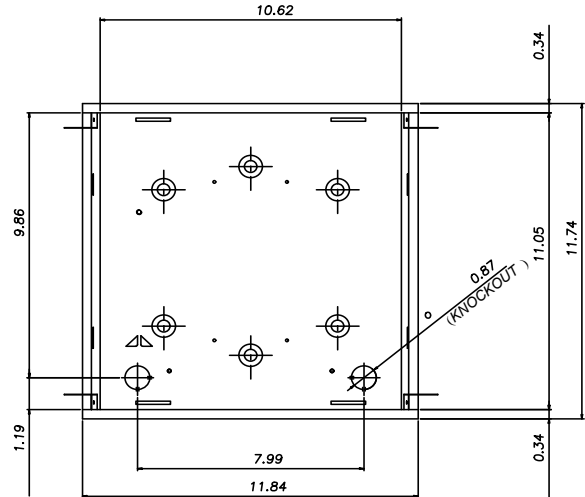
## DRAWINGS & IMAGES

### SIDE

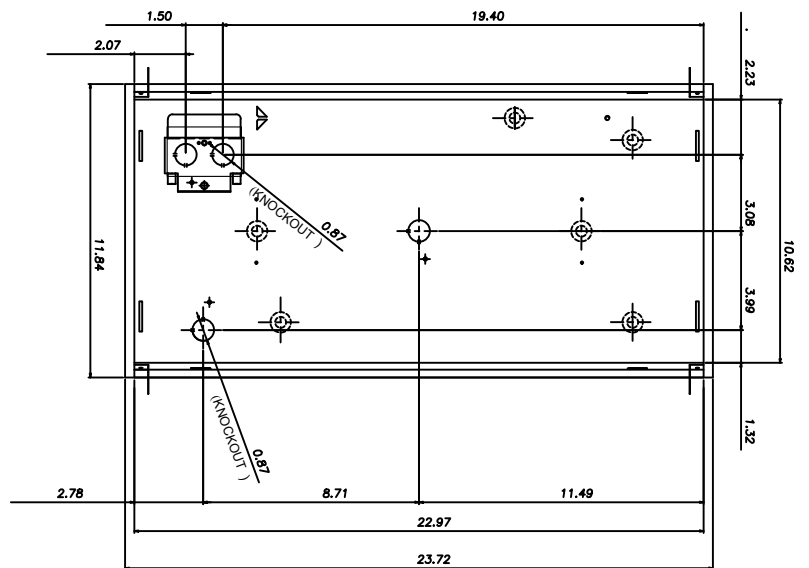
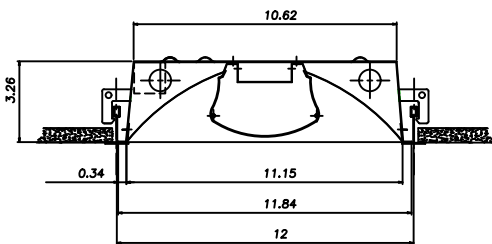
#### 1X1



### BACK



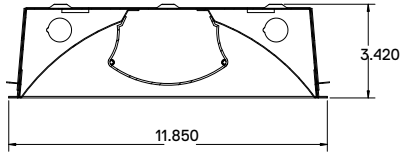
#### 1X2



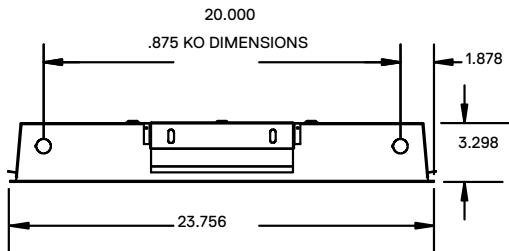
## DRAWINGS & IMAGES

### SIDE

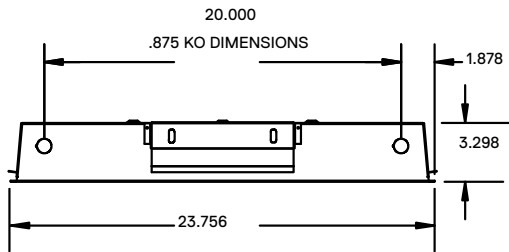
#### 1x4



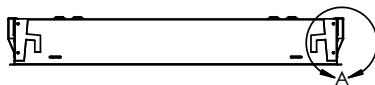
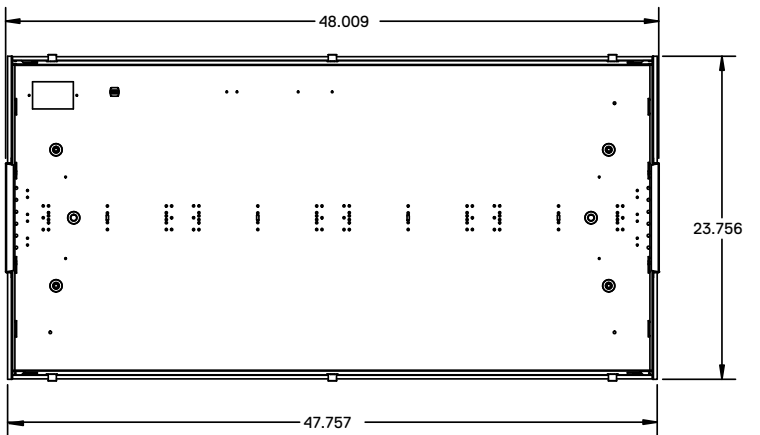
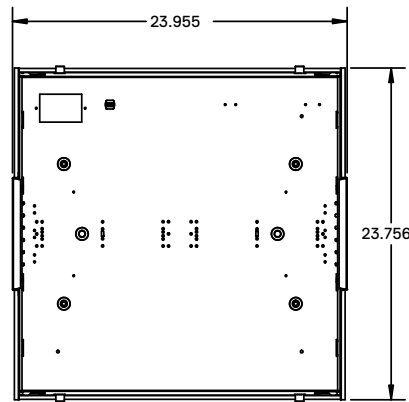
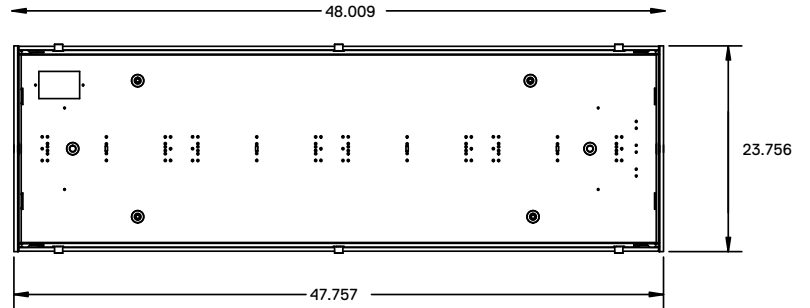
#### 2x2



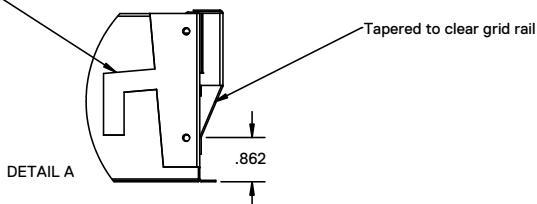
#### 2x4



### BACK



Bend out to engage earthquake hook



### Replacement Lens Ordering Information

Series	Description
0UCLL1x4	Replacement lens for 1x4
0UCLL2x2	Replacement lens for 2x2
0UCLL2x4	Replacement lens for 2x4



Texas Fluorescents  
Reinvented



DLC Listed Items

CATALOG#:

PROJECT:

TYPE:

Series UCLL

LED Low Profile Center Basket  
Recessed

1X4 ITEM NUMBER	2X4 ITEM NUMBER
-----------------	-----------------

(SS,SV,SD,SM)UCLL14LY15W(D,G,DALI,DEXAL,SR)(MV or 120)30Koooo  
 (SS,SV,SD,SM)UCLL14LY15W(D,G,DALI,DEXAL,SR)(MV or 120)35Koooo  
 (SS,SV,SD,SM)UCLL14LY15W(D,G,DALI,DEXAL,SR)(MV or 120)40Koooo  
 (SS,SV,SD,SM)UCLL14LY15W(D,G,DALI,DEXAL,SR)(MV or 120)50Koooo  
 (SS,SV,SD,SM)UCLL14LY20W(D,G,DALI,DEXAL,SR)(MV or 120)30Koooo  
 (SS,SV,SD,SM)UCLL14LY20W(D,G,DALI,DEXAL,SR)(MV or 120)35Koooo  
 (SS,SV,SD,SM)UCLL14LY20W(D,G,DALI,DEXAL,SR)(MV or 120)40Koooo  
 (SS,SV,SD,SM)UCLL14LY20W(D,G,DALI,DEXAL,SR)(MV or 120)50Koooo  
 (SS,SV,SD,SM)UCLL14LY25W(D,G,DALI,DEXAL,SR)(MV or 120)30Koooo  
 (SS,SV,SD,SM)UCLL14LY25W(D,G,DALI,DEXAL,SR)(MV or 120)35Koooo  
 (SS,SV,SD,SM)UCLL14LY25W(D,G,DALI,DEXAL,SR)(MV or 120)40Koooo  
 (SS,SV,SD,SM)UCLL14LY25W(D,G,DALI,DEXAL,SR)(MV or 120)50Koooo  
 (SS,SV,SD,SM)UCLL14LY33W(D,G,DALI,DEXAL,SR)(MV or 120)30Koooo  
 (SS,SV,SD,SM)UCLL14LY33W(D,G,DALI,DEXAL,SR)(MV or 120)35Koooo  
 (SS,SV,SD,SM)UCLL14LY33W(D,G,DALI,DEXAL,SR)(MV or 120)40Koooo  
 (SS,SV,SD,SM)UCLL14LY33W(D,G,DALI,DEXAL,SR)(MV or 120)50Koooo

(SS,SV,SD,SM)UCLL24LY20W(D,G,DALI,DEXAL,SR)(MV or 120)30Koooo  
 (SS,SV,SD,SM)UCLL24LY20W(D,G,DALI,DEXAL,SR)(MV or 120)35Koooo  
 (SS,SV,SD,SM)UCLL24LY20W(D,G,DALI,DEXAL,SR)(MV or 120)40Koooo  
 (SS,SV,SD,SM)UCLL24LY20W(D,G,DALI,DEXAL,SR)(MV or 120)50Koooo  
 (SS,SV,SD,SM)UCLL24LY25W(D,G,DALI,DEXAL,SR)(MV or 120)30Koooo  
 (SS,SV,SD,SM)UCLL24LY25W(D,G,DALI,DEXAL,SR)(MV or 120)35Koooo  
 (SS,SV,SD,SM)UCLL24LY25W(D,G,DALI,DEXAL,SR)(MV or 120)40Koooo  
 (SS,SV,SD,SM)UCLL24LY25W(D,G,DALI,DEXAL,SR)(MV or 120)50Koooo  
 (SS,SV,SD,SM)UCLL24LY30W(D,G,DALI,DEXAL,SR)(MV or 120)30Koooo  
 (SS,SV,SD,SM)UCLL24LY30W(D,G,DALI,DEXAL,SR)(MV or 120)35Koooo  
 (SS,SV,SD,SM)UCLL24LY30W(D,G,DALI,DEXAL,SR)(MV or 120)40Koooo  
 (SS,SV,SD,SM)UCLL24LY30W(D,G,DALI,DEXAL,SR)(MV or 120)50Koooo  
 (SS,SV,SD,SM)UCLL24LY35W(D,G,DALI,DEXAL,SR)(MV or 120)30Koooo  
 (SS,SV,SD,SM)UCLL24LY35W(D,G,DALI,DEXAL,SR)(MV or 120)35Koooo  
 (SS,SV,SD,SM)UCLL24LY35W(D,G,DALI,DEXAL,SR)(MV or 120)40Koooo  
 (SS,SV,SD,SM)UCLL24LY35W(D,G,DALI,DEXAL,SR)(MV or 120)50Koooo  
 (SS,SV,SD,SM)UCLL24LY40W(D,G,DALI,DEXAL,SR)(MV or 120)30Koooo  
 (SS,SV,SD,SM)UCLL24LY40W(D,G,DALI,DEXAL,SR)(MV or 120)35Koooo  
 (SS,SV,SD,SM)UCLL24LY40W(D,G,DALI,DEXAL,SR)(MV or 120)40Koooo  
 (SS,SV,SD,SM)UCLL24LY40W(D,G,DALI,DEXAL,SR)(MV or 120)50Koooo  
 (SS,SV,SD,SM)UCLL24LY45W(D,G,DALI,DEXAL,SR)(MV or 120)30Koooo  
 (SS,SV,SD,SM)UCLL24LY45W(D,G,DALI,DEXAL,SR)(MV or 120)35Koooo  
 (SS,SV,SD,SM)UCLL24LY45W(D,G,DALI,DEXAL,SR)(MV or 120)45Koooo  
 (SS,SV,SD,SM)UCLL24LY45W(D,G,DALI,DEXAL,SR)(MV or 120)50Koooo  
 (SS,SV,SD,SM)UCLL24LY50W(D,G,DALI,DEXAL,SR)(MV or 120)30Koooo  
 (SS,SV,SD,SM)UCLL24LY50W(D,G,DALI,DEXAL,SR)(MV or 120)35Koooo  
 (SS,SV,SD,SM)UCLL24LY50W(D,G,DALI,DEXAL,SR)(MV or 120)40Koooo  
 (SS,SV,SD,SM)UCLL24LY50W(D,G,DALI,DEXAL,SR)(MV or 120)50Koooo  
 (SS,SV,SD,SM)UCLL24LY54W(D,G,DALI,DEXAL,SR)(MV or 120)30Koooo  
 (SS,SV,SD,SM)UCLL24LY54W(D,G,DALI,DEXAL,SR)(MV or 120)35Koooo  
 (SS,SV,SD,SM)UCLL24LY54W(D,G,DALI,DEXAL,SR)(MV or 120)40Koooo  
 (SS,SV,SD,SM)UCLL24LY54W(D,G,DALI,DEXAL,SR)(MV or 120)50Koooo

2X2 ITEM NUMBER
-----------------

(SS,SV,SD,SM)UCLL22LY15W(D,G,DALI,DEXAL,SR)(MV or 120)30Koooo  
 (SS,SV,SD,SM)UCLL22LY15W(D,G,DALI,DEXAL,SR)(MV or 120)35Koooo  
 (SS,SV,SD,SM)UCLL22LY15W(D,G,DALI,DEXAL,SR)(MV or 120)40Koooo  
 (SS,SV,SD,SM)UCLL22LY15W(D,G,DALI,DEXAL,SR)(MV or 120)50Koooo  
 (SS,SV,SD,SM)UCLL22LY20W(D,G,DALI,DEXAL,SR)(MV or 120)30Koooo  
 (SS,SV,SD,SM)UCLL22LY20W(D,G,DALI,DEXAL,SR)(MV or 120)35Koooo  
 (SS,SV,SD,SM)UCLL22LY20W(D,G,DALI,DEXAL,SR)(MV or 120)40Koooo  
 (SS,SV,SD,SM)UCLL22LY20W(D,G,DALI,DEXAL,SR)(MV or 120)50Koooo  
 (SS,SV,SD,SM)UCLL22LY25W(D,G,DALI,DEXAL,SR)(MV or 120)30Koooo  
 (SS,SV,SD,SM)UCLL22LY25W(D,G,DALI,DEXAL,SR)(MV or 120)35Koooo  
 (SS,SV,SD,SM)UCLL22LY25W(D,G,DALI,DEXAL,SR)(MV or 120)40Koooo  
 (SS,SV,SD,SM)UCLL22LY25W(D,G,DALI,DEXAL,SR)(MV or 120)50Koooo  
 (SS,SV,SD,SM)UCLL22LY33W(D,G,DALI,DEXAL,SR)(MV or 120)30Koooo  
 (SS,SV,SD,SM)UCLL22LY33W(D,G,DALI,DEXAL,SR)(MV or 120)35Koooo  
 (SS,SV,SD,SM)UCLL22LY33W(D,G,DALI,DEXAL,SR)(MV or 120)40Koooo  
 (SS,SV,SD,SM)UCLL22LY33W(D,G,DALI,DEXAL,SR)(MV or 120)50Koooo