

# Series SS213

## Wall Mount, Up & Down Light Rectangular Profile SMARTSENSE

The 213 is a specification grade wall mount for “over the bed” applications, and may also be used in bath, stairwells, and office applications. With optional dividers, front baffles, and dual drivers the up and down light are individually controlled. The rectangular shape provides a clean, crisp profile.

**ABOUT SMARTSENSE** - Our popular 213 series versatile linear fluorescent or LED fixtures are now available with integral ultrasonic occupancy sensor to sense motion within a space and automatically turns on lights even when the sensor has no direct line of sight to occupants. After the area is vacated and the time delay has elapsed, the sensors automatically turn the lights off. Ultrasonic detection operates by transmitting sound waves throughout an area and measuring the speed at which they return. Movement increases the return frequency, which triggers occupancy. Saylite Ultrasonic smart sensors provide functions for testing, overriding the fixture “ON” and a 72 hour lamp burn-in mode.

### CONSTRUCTION

Housing is die-formed and embossed code 22 gage steel. Standard finish is high reflectance baked white enamel; custom finishes are available as an option. Wiring knockouts are provided on back of housing. The clear, ribbed lens is fully captured by the end plate. End cap held in place with acorn nut.

### MOUNTING

Direct wall mount

### TYPICAL OPTIONS & ACCESSORIES

Custom finishes, internal divider, front baffle, pull chains, convenience outlets and emergency battery. Contact factory for more details.



### DIMENSIONS

4.50"H x 4.4"W

Available in 24 1/4" and 48 1/4" lengths

### FEATURES & BENEFITS

- Optional front baffle restricts light to up and down only (no front light). Add dual dividers for separate control of up and down light.
- Contact factory for custom night light options.
- Suitable for dry or damp locations
- >50,000 hours of L70 LED life
- CRI>80
- 0-10 Volt dimmable 120-277V
- Power factor 0.99
- 5 year warranty



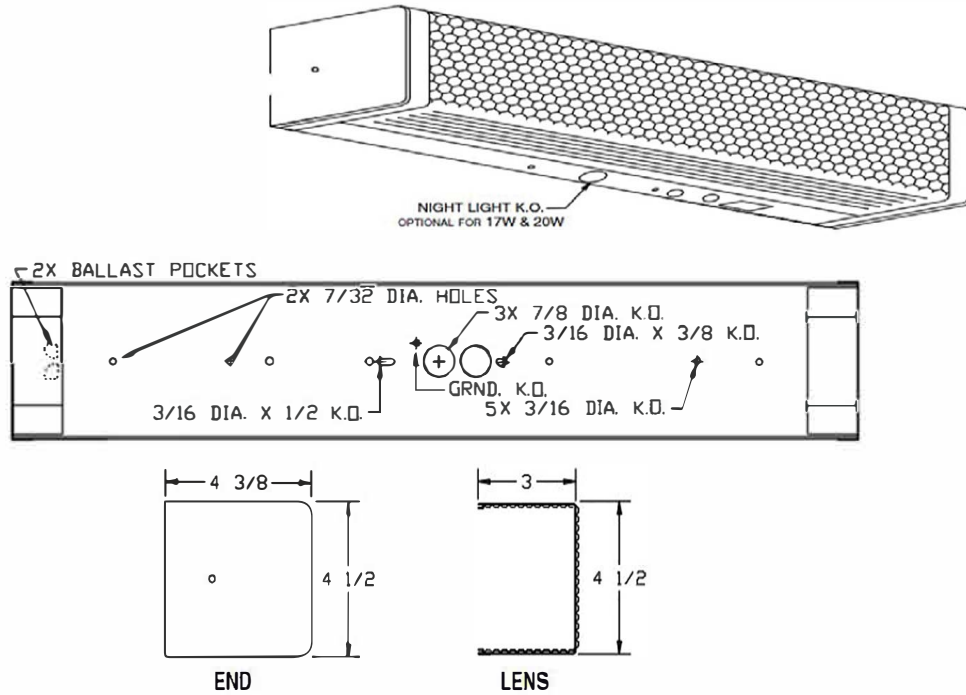
CATALOG#: \_\_\_\_\_  
 PROJECT: \_\_\_\_\_  
 TYPE: \_\_\_\_\_

# Series SS213

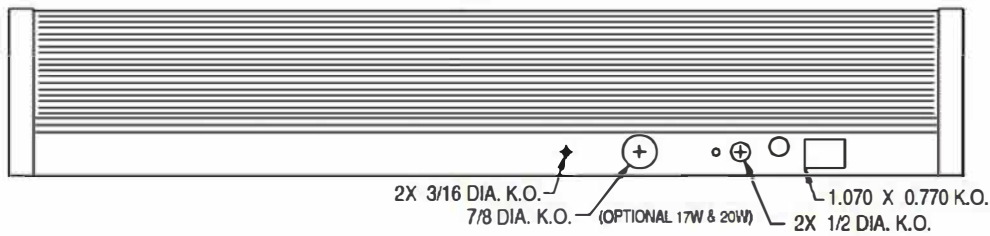
Wall Mount, Up & Down Light  
 Rectangular Profile  
 SMARTSENSE

## DRAWINGS & IMAGES

### Side



### Top





CATALOG#: \_\_\_\_\_  
 PROJECT: \_\_\_\_\_  
 TYPE: \_\_\_\_\_

# Series SS213

Wall Mount, Up & Down Light  
 Rectangular Profile  
 SMARTSENSE

## ORDER INFORMATION

### 24L - Standard

SERIES	LENS MATERIAL	SIZE	WATTAGE & LUMENS	BAFFLE	DRIVER	CCT	
SS213	A Clear Prismatic Acrylic	24L 24"	Y15W1500L 15 Watts 1500 Lumens	Blank DF	No Baffle Front Baffle	DMV 0-10V Dimming  DMV(XX) 0-10V Dimming (XX for the percentage of light output when it is not occupied)	30K 3000K
	MW Smooth White Acrylic		Y24W2700L 24 Watts 2700 Lumens				35K 3500K 40K 4000K 50K 5000K
			*                      *				

OPTIONS	
SW2	Pull chain, 2 way switching (use with single ballasts)
GCO	Grounded convenience outlet (North American 3 prong)
EM	Emergency ballast, 500 lumens

### 48L - Standard

SERIES	LENS MATERIAL	SIZE	WATTAGE & LUMENS	BAFFLE	DRIVER	CCT	
SS213	A Clear Prismatic Acrylic  MW Smooth White Acrylic	48L 48"	Y30W3000L 30 Watts 3000 Lumens	Blank DF	No Baffle Front Baffle	DMV 0-10V Dimming  DMV(XX) 0-10V Dimming (XX for the percentage of light output when it is not occupied)	30K 3000K
			Y45W4500L 45 Watts 4500 Lumens				35K 3500K
			Y48W4800L 48 Watts 4800 Lumens				40K 4000K
			Y57W5700L 57 Watts 5700 Lumens				50K 5000K
			*                      *				

OPTIONS	
SW2	Pull chain, 2 way switching (use with single ballasts)
GCO	Grounded convenience outlet (North American 3 prong)
EM	Emergency ballast, 500 lumens

\*Programmable LED drivers allow custom configured wattages and corresponding lumens.  
**NOTE:** Values shown are typical or recorded under standardized conditions at 25°C. Actual performance may vary based environment or application. Specifications are subject to change without notice. We reserve the right to change design, materials, LED's and finish in any way that will not alter installed appearance or reduce function and performance.