

CATALOG#:

PROJECT:

TYPE:

Series SMHOTCD

LED Close to Ceiling with Microwave Sensor

SMHOTCD takes us to the next level of energy efficiency with an integral microwave sensor. Ideal for use in corridors, stairwells, back of house, and many other areas where constant light is not required. The SMHOTCD provides adjustable soft illumination with dimming capability and occupancy sensing technology to fully illuminate areas when occupied and provide maximum cost savings when areas are not use. The advanced microwave sensor technology has multiple sensor options available, including on/off sensor controlled, bi-level or adjustable standby, and even daylight sensing technology to ensure no is ever left in dark.

CONSTRUCTION

Housing is made of Die-formed Cold-rolled Steel. Diffuser is High Transmission Acrylic Create Excellent Light Distribution and Uniformity. Ceiling or Wall Mounted Only.



DIMENSIONS

Diameter: 17.75"

Height: 5.00"

FEATURES & BENEFITS

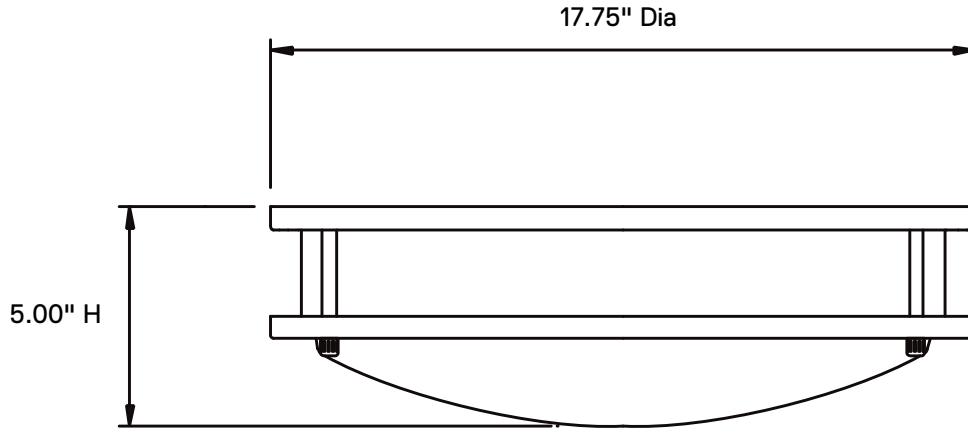
- Available in Satin Nickel with matte white lens
- Ceiling or Wall Mounted Only
- Bi-level, On/Off or Adjustable Standby Sensor
- Save 40% or more energy
- Matching LED Fixtures available. See our HOTCD series.
- 120V to 277V, 50/60Hz, 1-10V Dimming
- 5 years warranty

CATALOG#: _____
 PROJECT: _____
 TYPE: _____

Series SMHOTCD

LED Close to Ceiling with
 Microwave Sensor

DRAWINGS & IMAGES

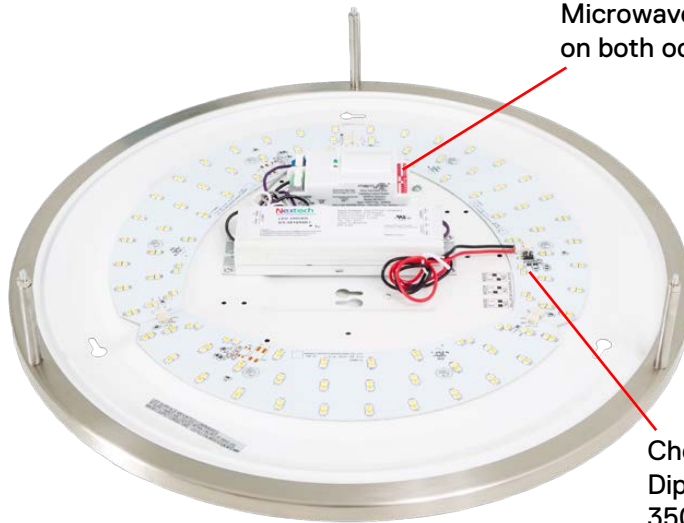


PART NUMBER

ITEM NUMBER	DESCRIPTION
SMHOTCD18L35W3300LMVSN(50)MCT	Close to Ceiling, 35 Watt & 3300 Lumens, 120V-277V, 0-10V Dimming Includes Microwave Sensor for Occupancy and Daylight Light Reduction Available in 3000K, 3500K or 4000K from the Same Fixture.

*Matching LED Fixtures available. See our HOTCD series.

INSTRUCTION FOR SENSOR SETTING



Microwave Sensor allows light levels to adjust based on both occupancy and ambient lighting.

Choose the right color temperature for your project. Dip switch control allows Fixture to be 3000K, 3500K, or 4000K.

Sensor Setting

By selecting the combination on the DIP switches, sensor data can be precisely set for each specific application.

		1	2	
ON ↑ OFF	I	ON	ON	100%
	II	ON	-	70%
	III	-	ON	40%
	IV	-	-	10%

Detection area

Detection area can be reduced by selecting the combination on the DIP switches to fit precisely each application .

		3	4	5	
ON ↑ OFF	I	ON	ON	ON	5s
	II	-	ON	ON	30s
	III	ON	-	ON	60s
	IV	-	-	ON	3min
	V	ON	ON	-	20min
	VI	-	-	-	30min

Hold time

Refers to the time period the lamp remains at 100% illumination after no motion detected.

		6	7	8	
ON ↑ OFF	I	ON	ON	ON	5s
	II	-	ON	ON	5s
	III	ON	-	ON	5min
	IV	-	-	ON	10min
	V	ON	ON	-	30min
	VI	-	ON	-	1h
	VII	-	-	-	>40

Stand-by period

Refers to the time period the lamp remains at a low light level before it completely switches off in the long absence of people. When set to " "mode, the low light is maintained until motion is detected.

		1	2	3	4	
ON ↑ OFF	I	-	-	ON	ON	2Lux
	II	-	-	-	ON	5Lux
	III	-	ON	ON	-	10Lux
	IV	-	-	ON	-	30Lux
	V	ON	ON	-	-	60Lux
	VI	ON	-	-	-	100Lux
	VII	-	-	-	-	Disable

Daylight sensor

The sensor can be set to only allow the lamp to illuminate below a defined ambient brightness threshold. When set to Disable mode, the daylight sensor will switch on the lamp when motion is detected regardless of ambient light level. 50lux, 30lux: twilight operation, 10lux, 5lux: darkness operation only. Note that daylight sensor is active only when lamp totally switches off.

		5	6	
ON ↑ OFF	I	ON	ON	50%
	II	-	ON	30%
	III	ON	-	20%
	IV	-	-	10%

Stand-by dimming level

The low light level you would like to have after the hold time in the long absence of people.