



CATALOG#: _____
 PROJECT: _____
 TYPE: _____

Series PLELRXTEU

Thermoplastic LED Edgelit Exit Sign



ILLUMINATION

- Ultra-bright, energy efficient, long life Red or Green LED
- UV-stabilized ultra-clear acrylic edgelit panel provides consistent, uniform illumination
- Double face utilizes factory installed silver or white mylar background panel

ELECTRICAL

- Dual 120-277 voltage standard. Optional multi-tap 208/220/240V available
- Unique bi-color LED indicator light alerts occupant on battery condition (Green-normal, Red-check battery)
- Push-to-test switch for mandated code compliance testing
- 4.8V long life, maintenance-free, rechargeable NiCd battery
- Internal solid-state transfer switch automatically connects the internal battery to LED board and LED lamp heads for minimum 90-minute emergency illumination
- Fully automatic solid-state, two rate charger initiates battery charging to recharge a discharged battery in 24 hours

MOUNTING

- EZ-snap mounting canopy included for top, end or back mount

HOUSING

- Injection-molded, engineering grade 5VA, flame retardant, high-impact resistant thermoplastic housing in white or black finish
- Self adhesive chevron appliques and guide template provided for directional indication

WARRANTY

- Meets UL924, NFPA 101 Life Safety Code, NEC, OSHA, Local and State Codes.
- UL Listed for damp locations (0°-50°C)
- 5 year warranty on all electronics and housing. Battery pro-rated for five years.

DIMENSIONS

12 5/8"L x 1 7/8"W x 8 3/8"H

OPTIONS

- Custom: Signs available with requested 'special' wording
- SDT: Self-diagnostic features performs monthly, biannual, and annual tests to ensure reliable operation and meet electrical and life safety codes
- 2C: Dual circuit option on the AC-only unit enables it to be connected to two different (one acting as a back-up to the other) power supplies at the same time
- SPV: UL Listed for special voltage option

STANDARD



OPTIONAL



ORDER INFORMATION

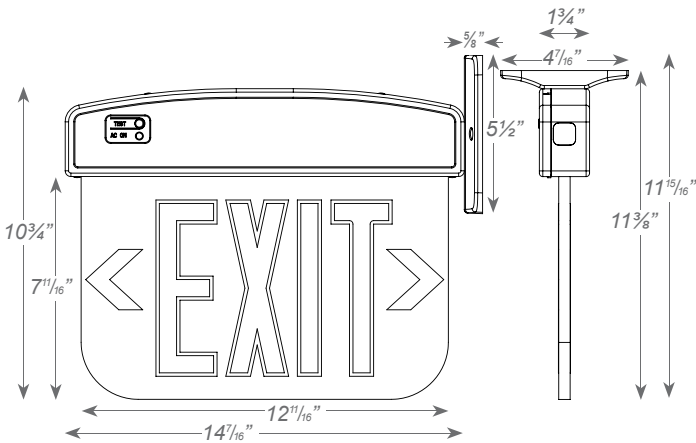
Factory at your fingertips. Fill in the blanks to create your part number or create a custom configuration.

SERIES	NO. OF FACES	LETTER COLOR	PANEL	HOUSING COLOR	BATTERY	OPTIONS	
PLELRXTEU	1	Single Face	R Red	C Clear ¹	W White	Blank AC Only	SPV 208/220/240 Volt, 50/60Hz2
	2	Double Face	G Green	M Mirror	B Black	EM Battery Back-up	Custom Custom wording
			W White	A Aluminum	SDT Self-diagnostics ³		
						2C Dual circuit ⁴	

Notes:

- ¹With single face only
- ²Not available with SDT
- ³Available in EM units only
- ⁴Available in AC units only

DRAWINGS



ELECTRICAL INFORMATION

Catalog Number	Input Watts (W)					Input Amps (A)				
	120V	277V	208V	220V	240V	120V	277	208V	220V	240V
PLELRXTEU-RED/GREEN/EM/SPV	3.6	4.0	3.84	3.9	3.95	0.031	0.020	0.022	0.021	0.020
PLRLCTEU-RED/GREEN/2C/SDT	3.6	40.	-	-	-	0.031	0.020	-	-	-

Note:
 We reserve the right to change design, materials, LEDs and finish in any way that will not alter installed appearance or reduce function and performance.