



JOB NAME:

CAT#:

TYPE:

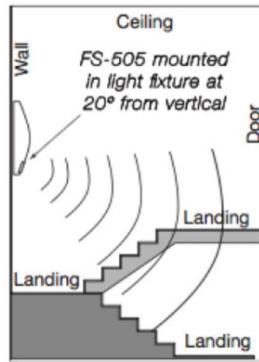
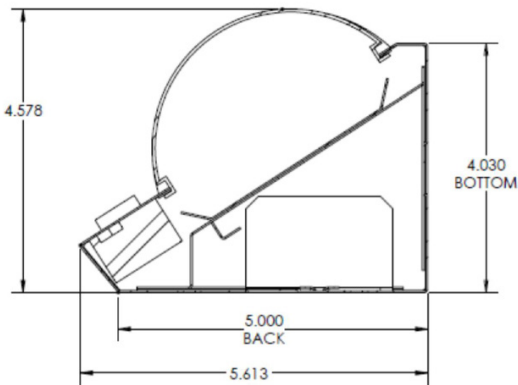
APPLICATIONS

Typical applications for this series include open office cubicles, offices, conference rooms, restrooms, stairwells, and hallways. The housing is post powder painted, die-formed, 20 gauge steel with aluminum end caps. The optional Smart Sense technology provides superior detection in hard surfaced areas, such as stairwells and hallways and features Bi-level lighting control. Smart Sense technology can yield energy savings upwards of 50% for fixtures that are normally on 24/7 all year long, while providing adequate illumination for safety and egress.

FEATURES & BENEFITS

- Optional Ultrasonic Smart Sensor
- Continuous row mounting
- Post painted powder coat finish
- White standard, custom colors available
- L70 > 60000 hrs
- Min 80 CRI
- 5 year warranty
- cETL_{us} listed

DIMENSIONS



FS-505 Mounted in Stairwell

STW with optional Smart Sense

Ultrasonic technology for open area detection and line-of-sight obstructions.

SNS200 Occupancy Sensor w/
Daylight Harvesting





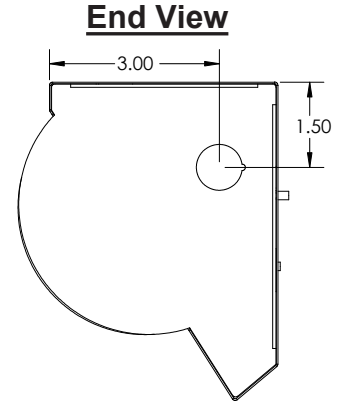
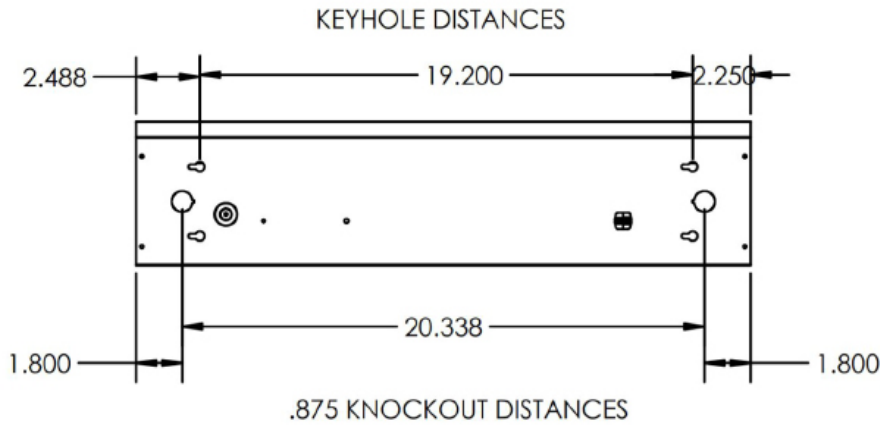
JOB NAME:

CAT#:

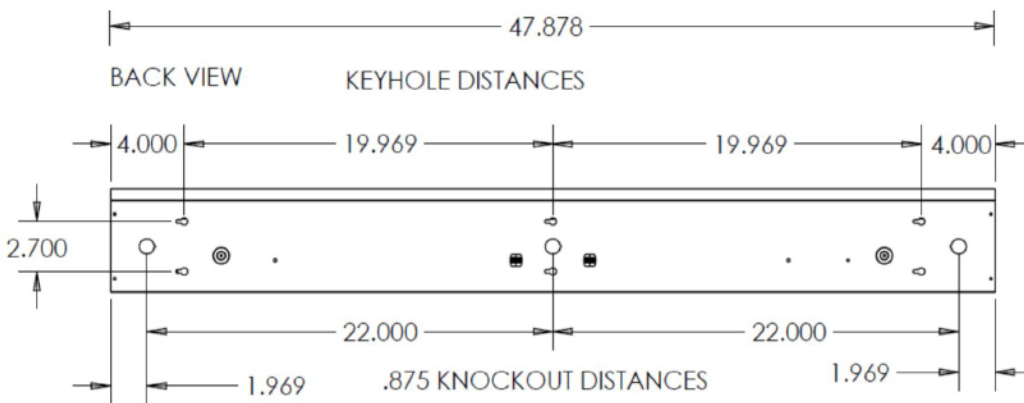
TYPE:

DIMENSIONS

2 ft Dimensions



4 ft Dimensions





JOB NAME:

CAT#:

TYPE:

ORDERING

EXAMPLE: STW R 24 LED 15 DMV 30 EM

STW		LED					
1. SERIES	2. LENS	3. SIZE	4. GEAR	5. WATTAGE/LUMENS	6. DRIVER*	7. FINISH	8. COLOR TEMP
STW	R Round	24 24" 48 48"	LED	<u>2 ft.</u> 15 15W 2050 Lumens 24 24W 3000 Lumens <u>4 ft.</u> 48 48W 6000 Lumens 57 57W 6900 Lumens	DMV Dimming multivolt 120-277V 0-10V *Consult for Triac dimming	Blank White BK Black SL Silver IN Iron BZ Bronze	30 3000K 35 3500K 40 4000K 50 5000K

9. EM	10. OPTIONAL SMART SENSE
EM 10 Watts, 1600 Lumens Battery Backup	SS-10 10% SS-20 20% SS-30 30% SS-40 40% SS-50 50% SS-60 60% SS-70 70% SS-80 80% SS-90 90%

NOTE: Values shown are typical or recorded under standardized conditions at 25°C. Actual performance may vary based on environment or application. Specifications are subject to change without notice. We reserve the right to change design, materials, LED's and finish in any way that will not alter installed appearance or reduce function and performance.

