



JOB NAME:

CAT#:

TYPE:

APPLICATIONS

The RDIS LED is a specification grade, Volumetric Recessed LED Luminaire which provides smooth and uniform ambient lighting for all commercial and industrial buildings with recessed configurations. Reflected light from matte surfaces provide a softened appearance to the modern office environment.

Housing is die-formed and embossed code 22 gauge steel. Luminaire body finish is high reflectance baked white enamel, with matte white reflectors. Wiring knockouts are provided on the back of housing. Earthquake clips are standard. Center diffuser snaps into place; no tools are required for removal. Listed by and bears ETL label.

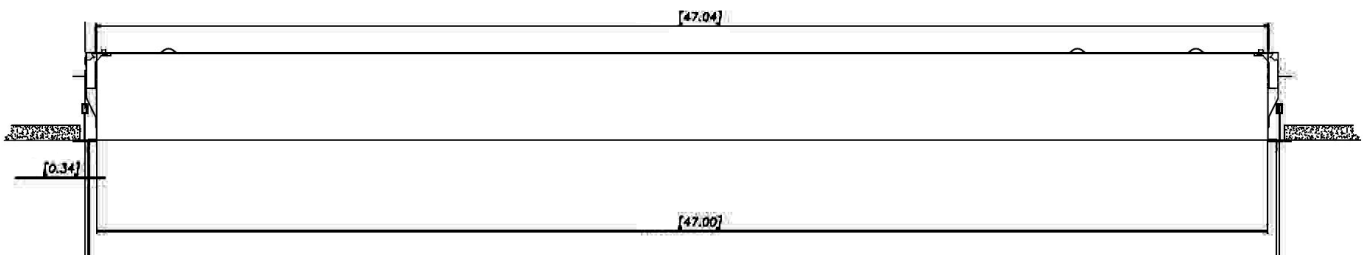
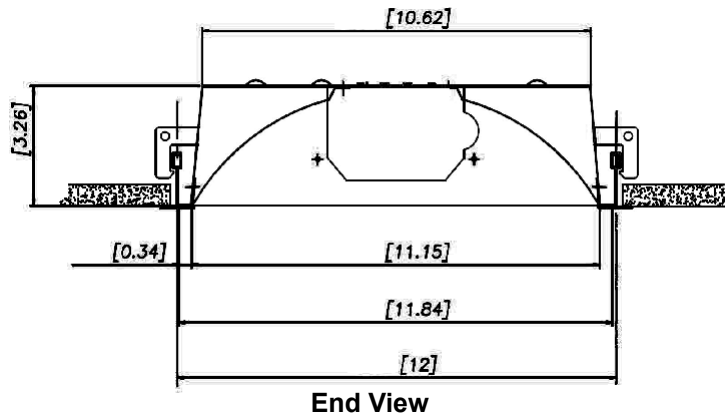


FEATURES & BENEFITS

- Volumetric recessed luminaire provides a low glare light source
- Matte white reflective surface for soft, uniform light distribution
- Multiple diffuser options available
- Min CRI 82
- IC Rated
- Easy access plate for quick wiring
- cETL_{us} listed for damp locations up to 67 watts
- DLC listed on certain models
- 5 year warranty

DIMENSIONS

1x4





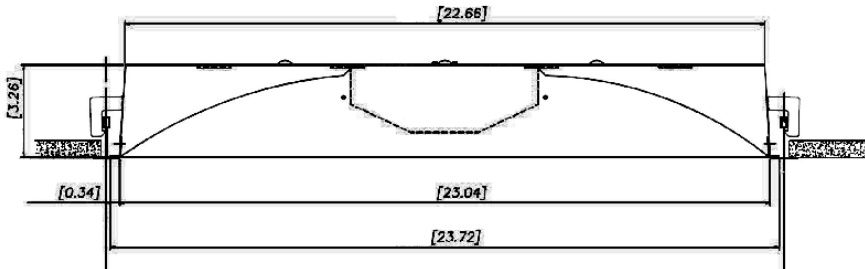
JOB NAME:

CAT#:

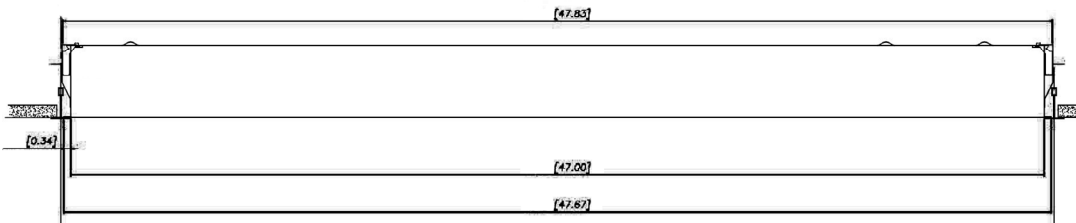
TYPE:

DIMENSIONS

2x4

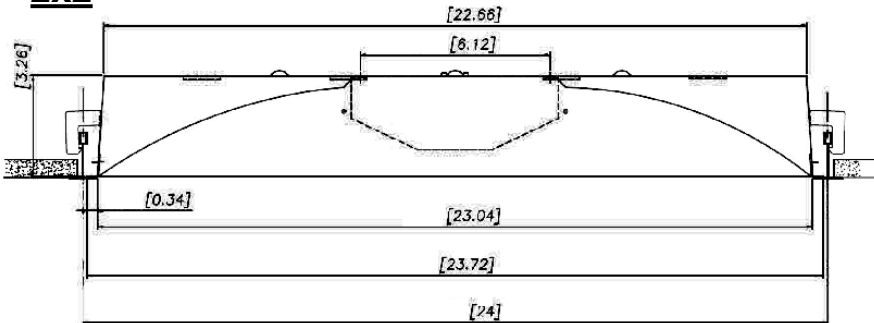


End View

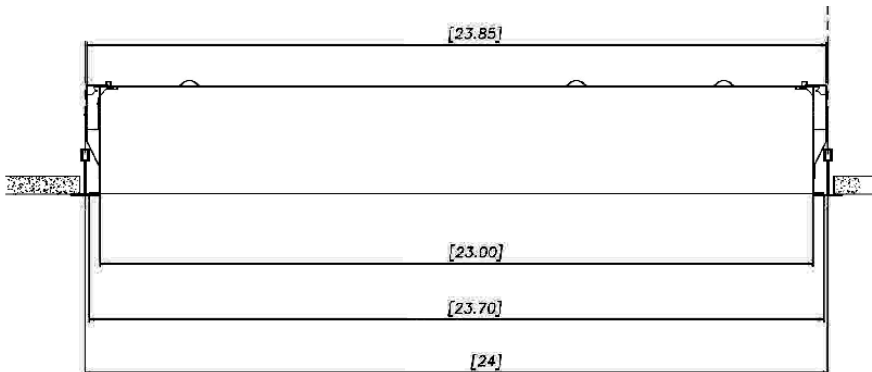


Side View

2x2



End View



Side View





JOB NAME:

CAT#:

TYPE:

ORDERING

EXAMPLE: REDIS 14 LED 28 DMV FR 30 EM SS WP

REDIS		LED								
1. SERIES	2. SIZE	3. GEAR	4. WATTAGE/LUMENS		5. DRIVER		6. LENS/BASKET		7. COLOR TEMP	
REDIS	14 1x4 Nominal	LED	1x4		DMV 120-277V Multivolt 0-10V Dimmable	FR Frosted PF Perforated Basket w/ inlay	30 3000K 35 3500K 40 4000K 50 5000K			
	22 2x2 Nominal		28 28 Watts 3500 Lumens	32 32 Watts 4000 Lumens				SDMV Step dimming Multivolt D347 347VAC 0-10V Dimming TDMV Triac Dimming 120-277VAC D120 Triac Dimming 120VAC D277 Triac Dimming 277VAC		
	24 2x4 Nominal		48 48 Watts 6000 Lumens	57 57 Watts 7125 Lumens						
			60 60 Watts 7500 Lumens	2x4						
			28 28 Watts 3200 Lumens	32 32 Watts 3620 Lumens						
			48 48 Watts 5450 Lumens	57 57 Watts 6080 Lumens						
			60 60 Watts 6430 Lumens	62 62 Watts 6900 Lumens						
			72 72 Watts 7000 Lumens	2x2						
			20 20 Watts 2440 Lumens	24 24 Watts 3030 Lumer						
			28 28 Watts 3500 Lumens	30 30 Watts 3630 Lumens						
			30 30 Watts 3630 Lumens	35 35 Watts 4200 Lumens						
			35 35 Watts 4200 Lumens	42 42 Watts 4800 Lumens						

8. EMERGENCY (O) ¹		9. SENSOR (O) ¹		10. CORD (O) ¹	
EM	Emergency Battery Pack 10W ~ 1700 Lumens	SS	Integrated Sensor	WP	6' 3 Wire Flexible Conduit
EM7	Emergency Battery Pack 7W ~ 1300 Lumens				
EM5	Emergency Battery Pack 5W ~ 850 Lumens				

Notes:
¹(O) is optional

NOTE: Values shown are typical or recorded under standardized conditions at 25°C. Actual performance may vary based on environment or application. Specifications are subject to change without notice. We reserve the right to change design, materials, LED's and finish in any way that will not alter installed appearance or reduce function and performance.





JOB NAME:

CAT#:

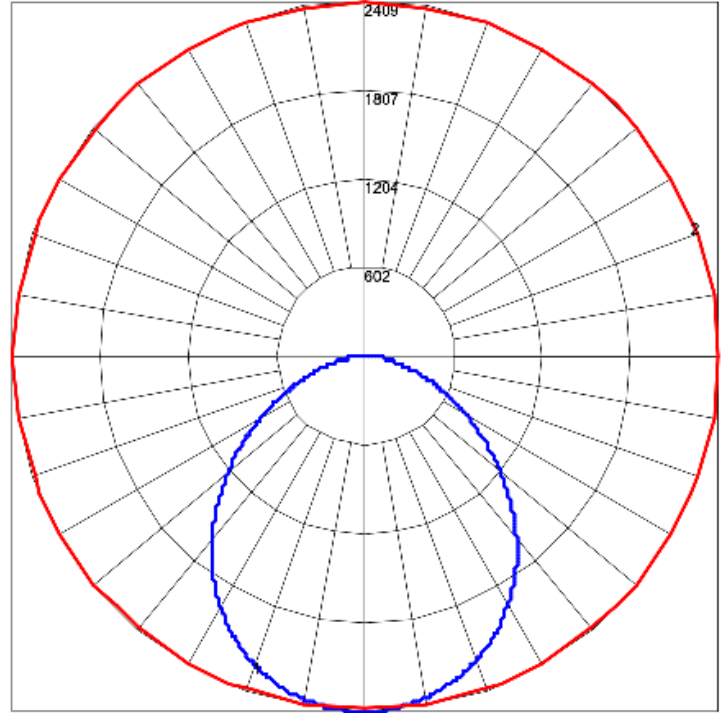
TYPE:

PHOTOMETRICS

RDIS24-LED60FRDMV40

Spacing Criterion (0-180) 1.22
Spacing Criterion (90-270) 1.22

POLAR GRAPH



Maximum Candela = 2408.743 Located At Horizontal Angle = 180, Vertical Angle = 1
1 - Vertical Plane Through Horizontal Angles (180 - 0) (Through Max. Cd.)
2 - Horizontal Cone Through Vertical Angle (1) (Through Max. Cd.)

COEFFICIENTS OF UTILIZATION - ZONAL CAVITY METHOD

Effective Floor Cavity Reflectance 0.20

RC	80				70				50			30			10			0
	RW	70	50	30	10	70	50	30	10	50	30	10	50	30	10	50	30	10
0	119	119	119	119	116	116	116	116	111	111	111	106	106	106	102	102	102	100
1	109	105	101	97	107	103	99	96	98	95	93	95	92	90	91	89	87	85
2	100	92	86	80	97	90	84	79	87	82	78	84	79	76	81	77	74	72
3	92	82	74	68	89	80	73	67	77	71	66	74	69	65	72	67	64	61
4	84	73	64	58	82	71	63	57	69	62	57	67	61	56	64	59	55	53
5	78	65	57	50	76	64	56	50	62	55	49	60	54	49	58	53	48	46
6	72	59	50	44	70	58	50	44	56	49	43	55	48	43	53	47	43	41
7	67	54	45	39	65	53	45	39	51	44	39	50	43	38	49	43	38	36
8	62	49	41	35	61	48	40	35	47	40	35	46	39	35	45	39	34	32
9	58	45	37	32	57	45	37	32	43	36	31	42	36	31	41	35	31	29
10	55	42	34	29	53	41	34	29	40	33	29	39	33	28	38	33	28	27





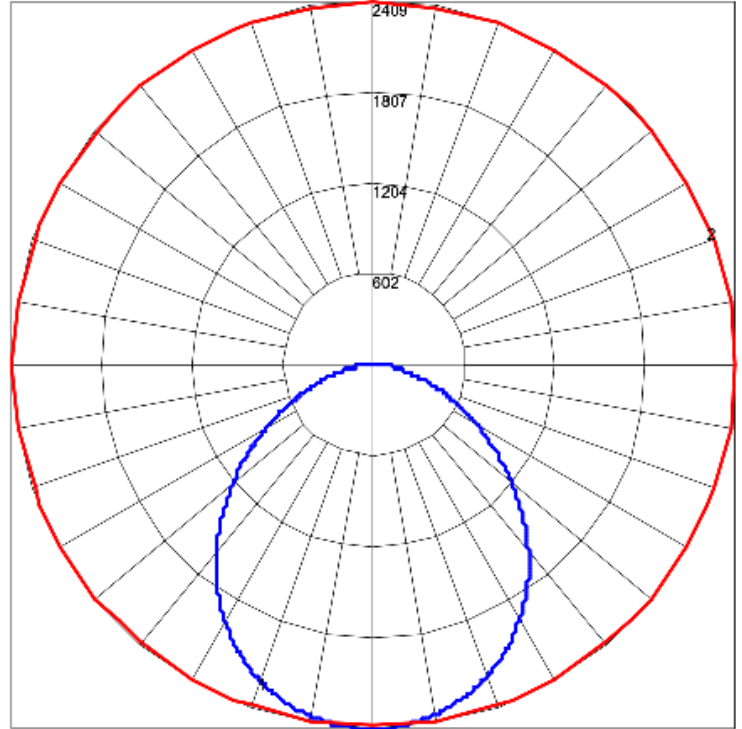
JOB NAME:

CAT#:

TYPE:

PHOTOMETRICS

POLAR GRAPH



Maximum Candela = 2408.743 Located At Horizontal Angle = 180, Vertical Angle = 1
 # 1 - Vertical Plane Through Horizontal Angles (180 - 0) (Through Max. Cd.)
 # 2 - Horizontal Cone Through Vertical Angle (1) (Through Max. Cd.)

RDIS22-LED28DMVFR40

Spacing Criterion (0-180) 1.18
 Spacing Criterion (90-270) 1.32

COEFFICIENTS OF UTILIZATION - ZONAL CAVITY METHOD

Effective Floor Cavity Reflectance 0.20

RC	80				70				50				30				10				0			
	RW	70	50	30	10	70	50	30	10	50	30	10	50	30	10	50	30	10	50	30	10	0		
0	119	119	119	119	116	116	116	116	111	111	111	106	106	106	102	102	102	100	100	100	100	100		
1	109	105	101	97	107	103	99	96	98	95	93	95	92	90	91	89	87	85	85	85	85	85		
2	100	92	86	80	97	90	84	79	87	82	78	84	79	76	81	77	74	72	72	72	72	72		
3	92	82	74	68	89	80	73	67	77	71	66	74	69	65	72	67	64	61	61	61	61	61		
4	84	73	64	58	82	71	63	57	69	62	57	67	61	56	64	59	55	53	53	53	53	53		
5	78	65	57	50	76	64	56	50	62	55	49	60	54	49	58	53	48	46	46	46	46	46		
6	72	59	50	44	70	58	50	44	56	49	43	55	48	43	53	47	43	41	41	41	41	41		
7	67	54	45	39	65	53	45	39	51	44	39	50	43	38	49	43	38	36	36	36	36	36		
8	62	49	41	35	61	48	40	35	47	40	35	46	39	35	45	39	34	32	32	32	32	32		
9	58	45	37	32	57	45	37	32	43	36	31	42	36	31	41	35	31	29	29	29	29	29		
10	55	42	34	29	53	41	34	29	40	33	29	39	33	28	38	33	28	27	27	27	27	27		

